



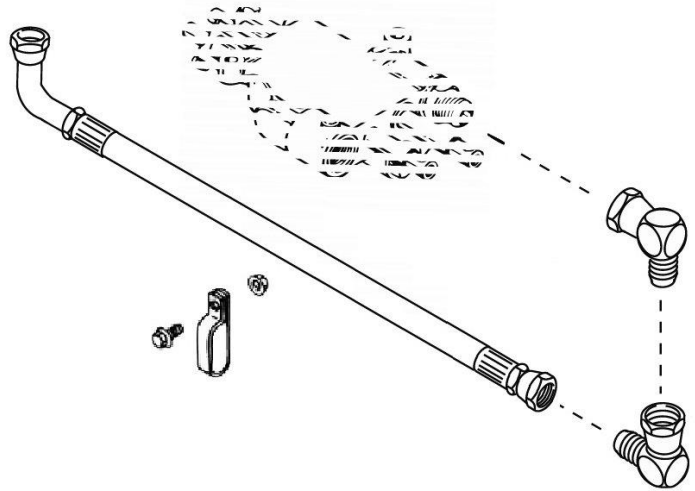
**Ingersoll**

## C47478 Hose Kit

Replaces C18285 Tube

Remove C18285 Tube and replace with the hose and fittings as shown.

Slip hose clamp onto hose and install clamp to hole in bottom of RH Frame rail, secure with 3/8" bolt and nut.



Form #8-60720



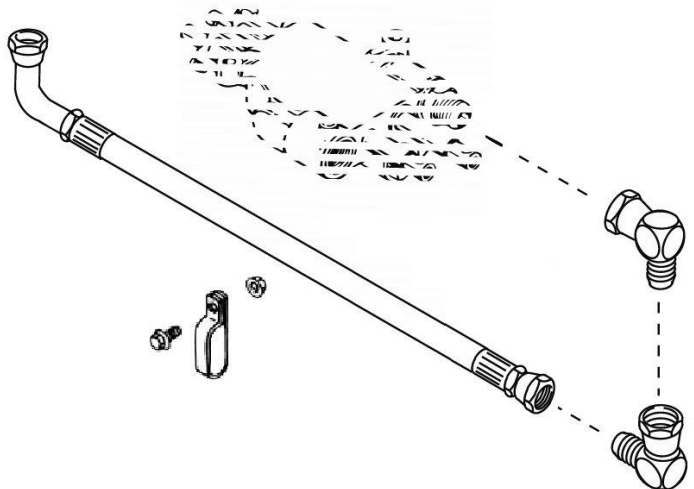
**Ingersoll**

## C47478 Hose Kit

Replaces C18285 Tube

Remove C18285 Tube and replace with the hose and fittings as shown.

Slip hose clamp onto hose and install clamp to hole in bottom of RH Frame rail, secure with 3/8" bolt and nut.



Form #8-60720