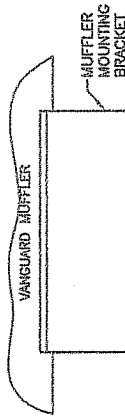


# ENGINEERING PARTS LIST

ITEM	PART NUMBER	NAME	DESCRIPTION AND REMARKS	QUAN
1	C48630	KIT	C48491 CLUTCH REPLACEMENT	1
1A	C48491	CLUTCH	1.000 BORE CCW	1
1B	C47425	TAG	ELECTRIC CLUTCH BURNISHING	1
2	C48778	BRACKET	ANTI-ROTATION (1/2 - 20 HP)	1
3	113-310	BOLT	7/16-14 X 1 HX HD GR5 ZP	1
4	192-22	WASHER	LOCK 7/16 ZP	1
5	C48779	BRACKET	ANTI-ROTATION (1 1/4 - 16 HP)	1
6	113-206	BOLT	3/8-16 X 1 HX HD GR5 ZP	2
7	192-21	WASHER	LOCK 3/8 ZP	2
8	C31614	SPACER	CLUTCH 1.03 X 1.50 X .25	1
9	C22947	TIE	CABLE .15 X 8 NYLON (BLACK)	1
10	8-61210	SHEET	INSTRUCTIONS, C-48625 INSTAL'N	1

**REMOVE AND DISCARD:**

- CLUTCH STOP BRACKET
- BOLT 7/16-14 X 3/4 HX HD 113-335
- WASHER LOCK 7/16 192-22

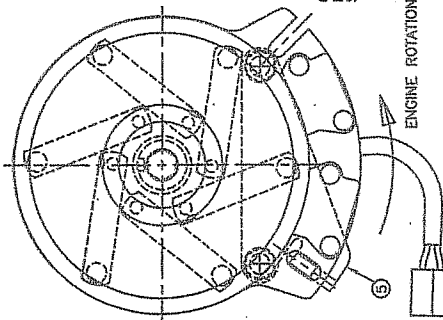


**REMOVE AND DISCARD:**

- CLUTCH STOP BRACKET
- BOLT 3/8-16 X 3/4 HX HD 113-206
- WASHER LOCK 3/8 192-21

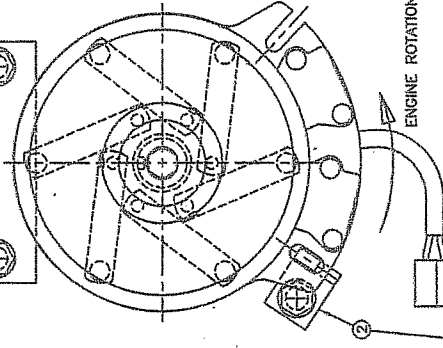
**ASSEMBLY NOTES:**

- 1) SECURE BRACKET TO ENGINE BEFORE ATTACHING CLUTCH TO ENGINE.
- 2) CABLE TIE ADDED IF REQUIRED TO RETAIN WIRE HARNESS FROM CONTACTING PTO BELT.



**KOHLER 10, 12 & 14 HP**

- MODELS:
- 3010
  - 3012
  - 3014



**VANGUARD 12, 14, 16 & 18 HP**

- MODELS:
- ODYSSEY (14 HP) 4016
  - 3012
  - 3014
  - 3016
  - 3018

- ASSEMBLY NOTES:**
- 1) SECURE BRACKET TO ENGINE BEFORE ATTACHING CLUTCH TO ENGINE.
  - 2) CABLE TIE ADDED IF REQUIRED TO RETAIN WIRE HARNESS FROM CONTACTING PTO BELT.

- REF. SERVICE NOTE:**
- KIT REPLACEMENT FOR: C31296 CLUTCH C33187 CLUTCH C33190 CLUTCH C47443 KIT - CLUTCH