

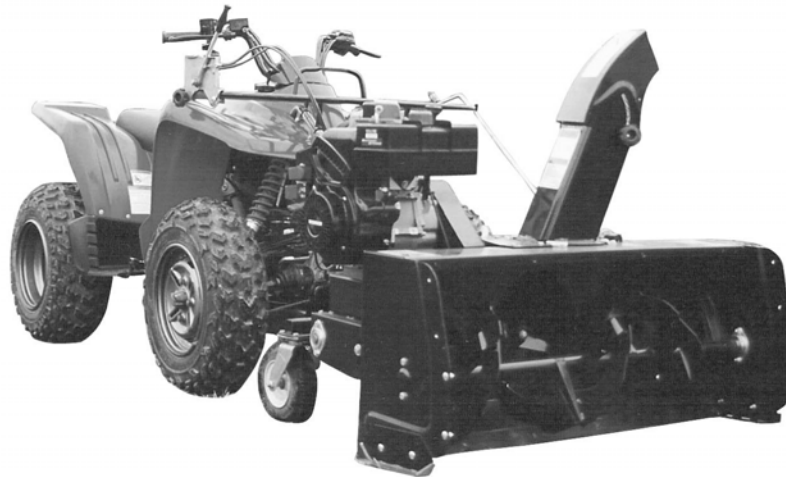
KIMPEX
KIMPEX

OWNER'S MANUAL

Model Number

058336

700310-4



Kimpex
Two Stage 48" Snowblower
For
ALL TERRAIN VEHICLES

- * ASSEMBLY
- * OPERATION

- * REPAIR PARTS
- * MAINTENANCE

CAUTION:
READ & FOLLOW ALL SAFETY RULES & INSTRUCTIONS BEFORE
OPERATING YOUR EQUIPMENT

WARRANTY

LIMITED ONE YEAR ON KIMPEX A.T.V. SNOWBLOWER

For one year from date of purchase, KIMPEX will repair or replace free of charge at KIMPEX'S option, any parts which are defective as a result of defective material or faulty workmanship.

COMMERCIAL OR RENTAL USE:

Warranty on KIMPEX snowblower used for commercial or rental purposes is limited to 90 days.

This warranty does NOT cover:

- * **Wear items, such as shear pins, bolts and belts**
- * **Repairs due to customer abuse or neglect**
- * **Pre-delivery set-up**
- * **In home service**

Warranty service is available by returning the "Kimpex" snowblower to the authorized dealers.

KIMPEX INC.
5355, St-Roch, Drummondville (Québec) Canada, J2B 6V4

TABLE OF CONTENTS

	PAGE
INTRODUCTION	2
SAFETY PRECAUTIONS	3
SAFETY DECALS	5
ASSEMBLY	
Step 1: Snowblower Preparation	6
Step 2: Subframe Preparation	9
Step 3: Engine Installation	11
Step 4: Installation on the A.T.V	15
OPERATION	
Operating the Snowblower	19
Controls	19
Removing Snow	19
MAINTENANCE	
Maintenance	20
Adjustments	20
Lubrication	20
Cutting Edge Maintenance	20
Shear Bolt Replacement	20
Storage	20
BELT REPLACEMENT & ADJUSTMENTS	21
TROUBLESHOOTING	22
MOUNTING BRACKET CHART	24
PARTS BREAKDOWN AND PARTS LIST	
Rotation System with Chute	26
Manual Clutch Mechanism	28
Subframe	30
Snowblower	32
TORQUE SPECIFICATION TABLE	35
OPTIONS & ATTACHMENTS	37

INTRODUCTION

TO THE PURCHASER

This new attachment was carefully designed to give years of dependable service. This manual has been provided to assist in the safe operation and servicing of your attachment.

NOTE: All photographs and illustrations in the manual may not necessarily depict the actual models or attachment, but are intended for reference only and are based on the latest product information available at the time of publication.

Familiarize yourself fully with the safety recommendations and operating procedures before putting the machine to use. Carefully read, understand and follow these recommendations and insist that they be followed by those who will use this attachment.



THIS SAFETY ALERT SYMBOL IDENTIFIES AN IMPORTANT SAFETY MESSAGE IN THIS MANUAL THAT HELPS YOU AND OTHERS AVOID PERSONAL INJURY OR EVEN DEATH. DANGER, WARNING, AND CAUTION ARE SIGNAL WORDS USED TO IDENTIFY THE LEVEL OF HAZARD. HOWEVER, REGARDLESS OF THE HAZARD, BE EXTREMELY CAREFUL.

DANGER: Signals an extreme hazard that will cause serious injury or death if recommended precautions are not followed.

WARNING: Signals a hazard that may cause serious injury or death if the recommended precautions are not followed.

CAUTION: Signals a hazard that may cause minor or moderate injury if the recommended precautions are not followed.

Record your attachment serial number and purchase date in the section reserved below (there is no serial number on the subframe). Your dealer requires this information to give you prompt, efficient service when ordering replacement parts. Use only genuine parts when replacements are required.

If warranty repairs are required please present this registration booklet and original sales invoice to your selling dealer for warranty service.

This manual should be kept for future reference.

Please check if you have received all the parts for your kit with the list of the bag and the list of the box.

SERIAL NUMBER : _____

PURCHASE DATE : _____

In this manual, right and left sides are determined by sitting on the A.T.V. seat facing forward.

In this manual, "attachment" means accessories that you install on the A.T.V. such as a snowblower.

SAFETY PRECAUTIONS

Careful operation is your best insurance against an accident. Read this section carefully before operating the A.T.V. and snowblower. This snowblower is capable of amputating hands and feet and throwing objects. Failure to observe the following safety instructions could result in serious injury. All operators, no matter how experienced they may be, should read this and other manuals related to the A.T.V. and attachments before operating. It is the owner's legal obligation to instruct all operators in safe operation of the snowblower.

TRAINING:



This symbol, "Safety Alert Symbol", is used throughout this manual and on the snowblower's safety labels to warn of the possibility of serious injury. Please take special care in reading and understanding the safety precautions before operating the snowblower or the A.T.V.

1. Read this owner's manual carefully. Be thoroughly familiar with the controls and proper use of the A.T.V. and snowblower. Know how to stop the unit and disengage the controls quickly.
 2. Never allow children to operate snowblower nor the A.T.V. Never allow adults to operate snowblower nor the A.T.V. without proper instructions.
 3. No one should operate the A.T.V. nor the snowblower while intoxicated or while taking medication that impairs the senses or reactions.
 4. Keep the area of operation clear of all persons, particularly small children and pets.
 5. Adjust the height of the snowblower to clear gravel or crushed rock surface. This is done by adjusting the skid shoes.
 6. Never attempt to make any adjustments while the engine (motor) is running (except when specifically recommended by manufacturer).
 7. Let engine (motor) of the A.T.V. and snowblower adjust to outdoor temperatures before starting to clear snow.
 8. Always wear safety glasses or eye shields during operation or while performing an adjustment or repair to protect eyes from foreign objects that may be thrown from the machine.
- e) When practical, remove gas-powered equipment from the truck or trailer and refuel it on the ground. If this is not possible, then refuel such equipment on a trailer with a portable container, rather than from a gasoline dispenser nozzle.
 - f) Keep the nozzle in contact with the rim of the fuel tank or container opening at all times, until refueling is complete. Do not use a nozzle lock-open device.
 - g) Replace fuel cap securely and wipe up spilled fuel.
 - h) If fuel is spilled on clothing, change clothing immediately.

PREPARATION:

1. Thoroughly inspect the area where the snowblower is to be used and remove door mats, all foreign objects and the like.
2. Disengage all clutches and shift into neutral before starting engine.
3. Do not operate the snowblower without wearing adequate winter outer garments. Avoid loose fitting clothing that can get caught in moving parts. Wear footwear that will improve footing on slippery surfaces.
4. Handle fuel with care, it is highly flammable.
 - a) Use approved fuel container.
 - b) Never add fuel to a running engine or hot engine.
 - c) Fill fuel tank outdoors with extreme care. Never fill fuel tank indoors.
 - d) Never fill containers inside a vehicle, or on a truck or a trailer bed with a plastic liner. Always place containers on the ground, away from your vehicle, before filling.

OPERATION:

1. Do not put hands or feet near or under rotating parts. Keep clear of the discharge opening at all times.
2. Exercise extreme caution when operating on or crossing gravel drives, walks or roads. Stay alert for hidden hazards or traffic.
3. After striking a foreign object, stop the engine (motor), disconnect the wire from the spark plug(s) and keep wire away to prevent accidental starting. Thoroughly inspect the snowblower for any damage and repair damage before restarting and operating the snowblower.

SAFETY PRECAUTIONS

4. If the unit should start to vibrate abnormally, stop the engine (motor) and check immediately for the cause. Vibration is generally a warning of trouble.
5. Stop the engine (motor) whenever you leave the operating position, before unclogging the impeller/collector housing or discharge chute, and when making repairs, adjustments or inspections.
- 6) Take all possible precautions when leaving the machine unattended. Disengage the power take-off, lower the attachment, set the parking brake, stop the engine and remove the key.
7. When cleaning, unclogging, repairing or inspecting, the snowblower & A.T.V. make certain the collector/impeller and all moving parts have stopped. Disconnect wire from the spark plug(s) and keep wire away to prevent accidental starting.
8. Do not run the engine indoors, except when starting the engine and for transporting the snowblower in or out of the building. Do not operate or let motor run in a storage area without ventilation because gas contains carbon monoxide which is odourless, colorless and can cause death.
9. Do not clear snow across the face of slopes; go up and down. Exercise extreme caution when changing direction on slopes. Do not attempt to clear steep slopes.
- 10.Never operate the snowblower without proper guards, plates, or other safety protective devices in place.
- 11.Never direct discharge at bystanders or operate the snowblower near glass enclosures, automobiles, window wells, drop-offs, and the like without proper adjustment of the snow discharge angle. Never allow anyone including children and pets in the clearance area.
- 12.Do not overload the machine capacity by attempting to clear snow at too fast a rate. Let the snowblower ingest snow at its own rate.
- 13.Never operate the snowblower at high transport speeds on slippery surfaces. Look behind and use care when backing.
- 14.Do not carry passengers.
- 15.Disengage power to the collector/impeller to stop all rotating parts when the snowblower is transported or not in use.
- 16.Use only accessories approved by the manufacturer of the snowblower (such as wheel chains, and the like).
- 17.Never operate the snowblower without good visibility or light.

CLEARING A CLOGGED DISCHARGE CHUTE:

Hand contact with the rotating impeller inside the discharge chute is the most common cause of injury associated with snowblowers. Never use your hand to clean out the discharge chute.

To clear the chute:

1. Lower snowblower to the ground and set parking brake.
2. **SHUT THE ENGINE OFF & REMOVE KEY!**
3. Wait 10 seconds to be sure the **all moving parts** such as the impeller blades have stopped moving.
4. Disconnect wire from the spark plug(s) and keep wire away to prevent accidental starting.
5. Always use a clean-out tool of at least 36" in length, **NOT YOUR HANDS.**

MAINTENANCE AND STORAGE

1. Check shear bolts, engine mounting bolts, and other bolts at frequent intervals for proper tightness to be sure the snowblower is in safe working condition.
2. Never store the machine with fuel in the fuel tank inside a building where ignition sources are present such as hot water and space heaters, clothes dryers, and the like. Allow the engine to cool before storing in any enclosure.
3. Always refer to the owner's manual for the motor and snowblower when they are to be stored for an extended period.
4. Maintain or replace safety and instruction labels, as necessary.
5. Run the snowblower a few minutes after throwing snow to prevent freeze-up of the rotating parts such as collector/impeller.

WHENEVER YOU SEE THIS SYMBOL



**IT MEANS:
WARNING!
BECOME ALERT !
YOUR SAFETY IS INVOLVED!**

SAFETY DECALS

REPLACE IF DECALS ARE DAMAGED
SEE PARTS BREAKDOWN FOR DECAL LOCATION

⚠ WARNING

TO AVOID PERSONAL INJURY:

- READ AND FOLLOW ALL INSTRUCTIONS AND SAFETY PRECAUTIONS IN OWNER'S MANUAL.
- KEEP HANDS, FEET AND CLOTHING AWAY FROM POWER DRIVEN PARTS.
- BEFORE LEAVING YOUR TRACTOR, LOWER AND DISENGAGE SNOWBLOWER, SET PARKING BRAKE, STOP ENGINE AND REMOVE IGNITION KEY.
- WAIT FOR ALL MOVING PARTS TO STOP BEFORE ADJUSTING, LUBRICATING, CLEANING OR UNBLOCKING SNOWBLOWER.
- KEEP THE AREA OF OPERATION CLEAR OF ALL PERSONS, ESPECIALLY SMALL CHILDREN & PETS.
- KEEP ALL GUARDS AND SHIELDS IN PLACE.

⚠ ATTENTION

POUR ÉVITER DES BLESSURES:

- LIRE LE MANUEL DU PROPRIÉTAIRE ET SUIVRE LES INSTRUCTIONS D'OPÉRATION ET DE SÉCURITÉ.
- GARDEZ LES MAINS, PIEDS ET VÊTEMENTS ÉLOIGNÉS DES ÉLÉMENTS MOBILES OU ROTATIFS.
- AVANT DE QUITTER VOTRE TRACTEUR, DÉBRAYEZ ET ABaissez LA SOUFFLEUSE, APPLIQUEZ LE FREIN DE STATIONNEMENT, ARRÊTEZ LE MOTEUR ET ENLEVEZ LA CLÉ D'IGNITION.
- ASSUREZ-VOUS QUE TOUTES LES PIÈCES MOBILES SONT ARRÊTÉES AVANT DE RÉPARER, D'AJUSTER, DE LUBRIFIER OU DE DÉBLOQUER LA SOUFFLEUSE.
- GARDER TOUTE PERSONNE PARTICULIÈREMENT LES ENFANTS ET LES ANIMAUX ÉLOIGNÉS DES LIEUX D'OPÉRATION.
- GARDEZ TOUS LES ÉCRANS PROTECTEURS EN PLACE.

102125

Decal # 102125

⚠ DANGER



**TO AVOID SERIOUS INJURY:
KEEP HANDS, FEET & CLOTHING
AWAY FROM ROTATING AUGER
WHILE ENGINE IS RUNNING.**

**POUR ÉVITER DES BLESSURES GRAVES:
GARDEZ LES MAINS, LES PIEDS ET
LES VÊTEMENTS ÉLOIGNÉS
DE LA VIS SANS FIN LORSQUE
LE MOTEUR EST EN MARCHÉ**

102126

Decal # 102126

⚠ DANGER



**TO AVOID SERIOUS INJURY :
KEEP HANDS OUT OF THIS
DISCHARGE CHUTE WHILE
ENGINE IS RUNNING**

**POUR ÉVITER
DES BLESSURES GRAVES:
GARDEZ LES MAINS ÉLOIGNÉES
DE LA GOULOTTE LORSQUE
LE MOTEUR EST EN MARCHÉ**

102127

Decal # 102127

⚠ WARNING

TO AVOID PERSONAL INJURY:

- READ AND FOLLOW INSTRUCTIONS AND SAFETY PRECAUTIONS IN OWNER'S MANUAL.
- DO NOT DRIVE AT MORE THAN 10 KM/HR WITH THE SNOWBLOWER IN RAISED POSITION.
- DO NOT DRIVE AT MORE THAN 3 KM/HR WITH SNOWBLOWER ON GROUND.
- DO NOT OPERATE ON SLOPES GREATER THAN 10%.
- APPROVED TIRE CHAINS ARE REQUIRED.

⚠ ATTENTION

POUR ÉVITER DES BLESSURES:

- LIRE LE MANUEL DU PROPRIÉTAIRE ET SUIVRE LES INSTRUCTIONS D'OPÉRATION ET DE SÉCURITÉ.
- NE PAS CONDUIRE À PLUS DE 10 KM/HEURE AVEC LA SOUFFLEUSE EN POSITION RELEVÉE.
- NE PAS CONDUIRE À PLUS DE 3 KM/HEURE AVEC LA SOUFFLEUSE ABAISSÉE AU SOL.
- NE PAS OPÉRER DANS UNE PENTE DE PLUS DE 10%.
- DES CHÂÎNES À PNEUS APPROUVÉES SONT REQUISES.

102553

Decal # 102553

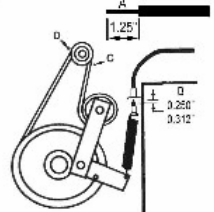
IMPORTANT

DRIVE & CABLE ADJUSTMENT

- READ & FOLLOW ALL INSTRUCTIONS & SAFETY PRECAUTIONS IN OWNER'S MANUAL.
- INSTALL MOTOR OF 13 HP OR LESS ONLY.
- VERIFY PULLEY ALIGNMENT AND ADJUST IF NECESSARY.
- VERIFY CABLE ADJUSTMENT: THE DISTANCE OF "B" SHOULD BE BETWEEN 0.250" & 0.312" IN ENGAGED POSITION. IF NOT, ADJUST THE CABLE TO OBTAIN THIS DISTANCE.
- AFTER INSTALLING MOTOR, VERIFY THAT THE STOPPER PINS ON BELT GUARD "C" & "D" CLEAR THE V-BELT BY 0.125"

NEW CABLE INSTALLATION

- PLACE THE CLUTCH LEVER IN ENGAGED POSITION. SCREW THE CABLE ADJUSTMENT TO MAXIMUM. PULL THE INTERNAL CABLE "A" OUT & CUT IT 1.25" LONGER THAN THE CABLE SHIELD. INSTALL IN PLACE & VERIFY THE ADJUSTMENT AS PER "B" 0.250" TO 0.312".



ENTRAÎNEMENT & AJUSTEMENT DU CÂBLE

- LIRE LE MANUEL DU PROPRIÉTAIRE & SUIVRE LES INSTRUCTIONS D'OPÉRATION & DE SÉCURITÉ.
- UTILISEZ UN MOTEUR DE 13HP OU MOINS SEULEMENT.
- VÉRIFIEZ L'ALIGNEMENT DES POULIES, AJUSTEZ SI NÉCESSAIRE.
- VÉRIFIEZ LE CÂBLE: LA DISTANCE DE "B" DEVRAIT ÊTRE ENTRE 0.250" & 0.312" EN POSITION EMBRAYÉE, SINON AJUSTEZ LE CÂBLE POUR OBTENIR CETTE DISTANCE.
- APRÈS L'INSTALLATION DU MOTEUR, VÉRIFIEZ À CE QUE LES TIGES D'ARRÊT À L'INTÉRIEUR DU GARDE-COURROIE ITEMS "C" & "D" SOIENT ÉLOIGNÉES DE 0.125" DE LA COURROIE.

INSTALLATION D'UN NOUVEAU CÂBLE

- PLACEZ LE LEVIER D'EMBRAYAGE EN POSITION EMBRAYÉE. VISSEZ L'AJUSTEMENT DU CÂBLE AU MAXIMUM. TIREZ LE CÂBLE "A" ET COUPEZ 1.25" PLUS LONG QUE L'ENVELOPPE. INSTALLEZ EN PLACE & VÉRIFIEZ À CE QUE L'ITEM "B" SOIT ENTRE 0.25" & 0.312".

102671

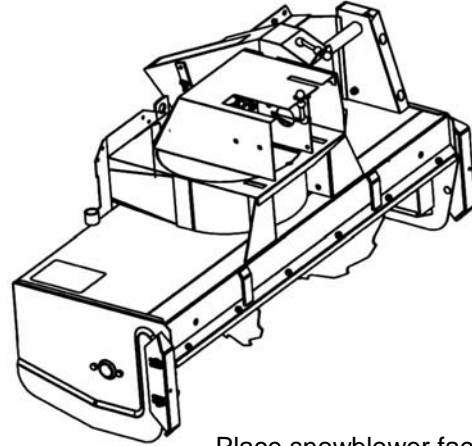
Decal # 102671

ASSEMBLY

IMPORTANT: TORQUE ALL BOLTS ACCORDING TO TORQUE SPECIFICATION TABLE (SEE TABLE OF CONTENTS) WHEN STATED: TIGHTEN FIRMLY. REFER TO PARTS BREAKDOWN SECTION FOR PART IDENTIFICATION.

STEP 1 **SNOWBLOWER PREPARATION:**

Place snowblower face down.

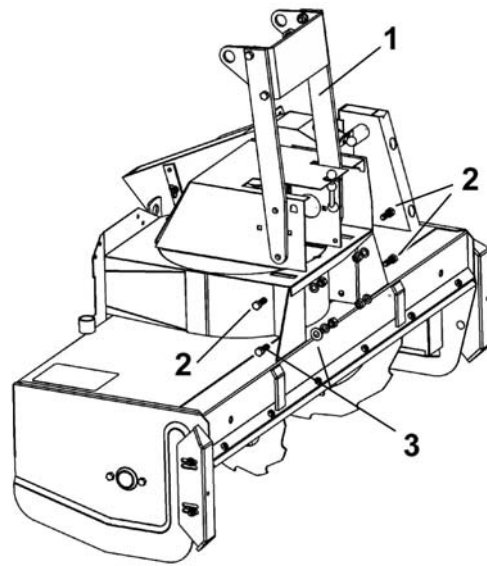


Place snowblower face down

Install the hitch (item 1) with three 7/16 x 1 1/4" bolts (item 2), lockwashers, nylon insert locknuts and a 7/16 x 1 1/4" bolt with a flatwasher (item 3) over the slot, lockwasher and a nylon insert locknut as shown.

Tighten the bolts firmly.

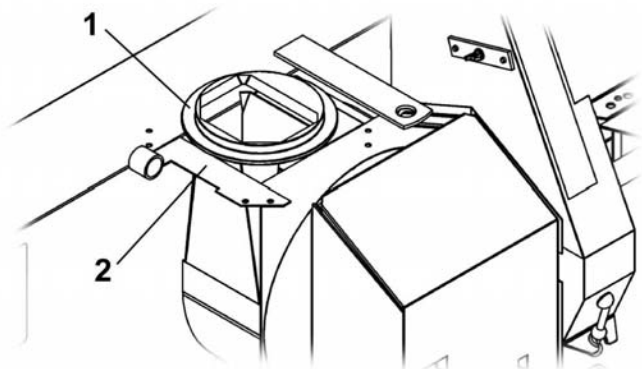
Turn the snowblower upright.



Install hitch

Place the rotation ring (item 1) on top of the snowblower (item 2) as shown.

Only one position provides a perfect fit.

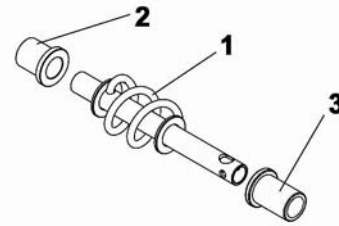


Install rotation ring

ASSEMBLY

Grease both ends of the rotation worm (item 1).

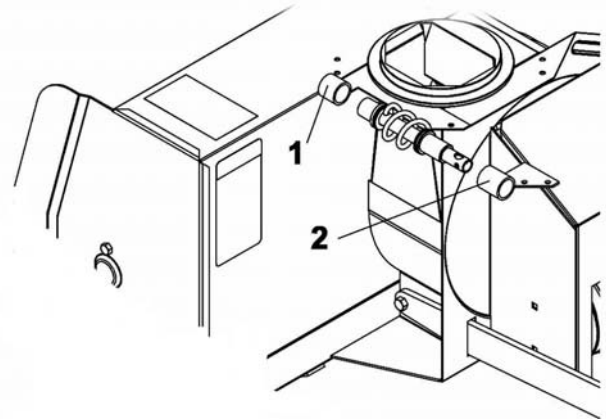
Insert the short rotation bushing (item 2) and the long rotation bushing (item 3) as shown.



Insert bushings on rotation worm

Insert the rotation worm with the short bushing in the sleeve (item 1).

Insert the rotation worm support (item 2) on the long bushing as shown.



Install rotation worm

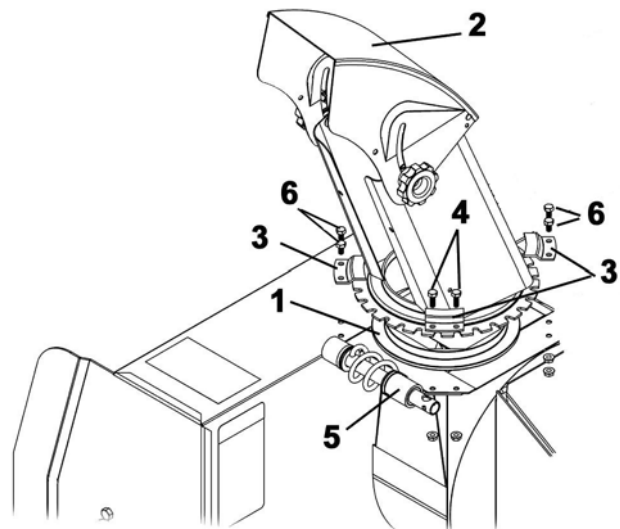
Apply grease on the rotation ring (item 1).

Install the chute (item 2) with four retaining plates (item 3) as shown.

At the rear left hand corner, secure a retaining plate (item 3) on top and the rotation worm support (item 5) underneath with two 1/4 x 3/4" bolts (item 4) and flange nuts as shown.

Secure the other three retaining plates (item 3) with six 1/4 x 1/2" bolts (item 6) and flange nuts.

Tighten the bolts firmly.



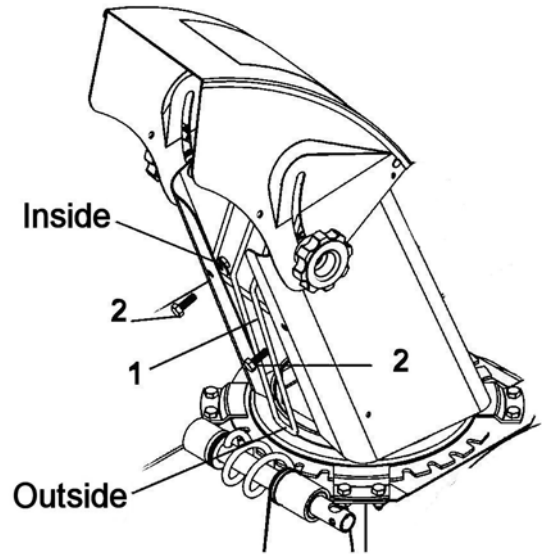
Install chute

ASSEMBLY

Install the hand guard (item 1) as shown.

Secure in place with two 1/4 x 3/4" bolts (item 2) the flatwashers and flange nuts inside.

Tighten the bolts firmly.



Install hand guard

ASSEMBLY

STEP 2

SUBFRAME PREPARATION:

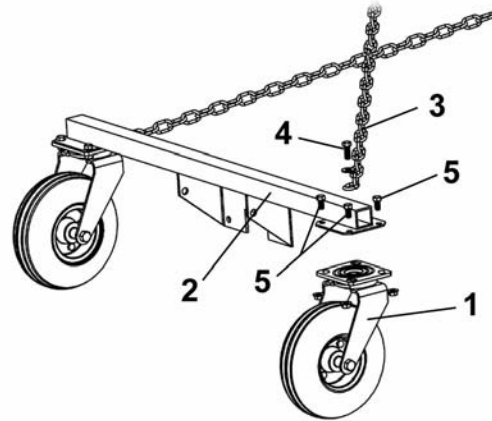
Install the two caster wheels (item 1) to the wheel support (item 2) as shown.

NOTE: If your ATV is equipped with cat tracks, do not install the chains now.

Install the two 3/16 x 32" chains (item 3) to the top of the plate of the wheel support with a 3/8 x 1" bolt (item 4) and a flatwasher in the inside rear hole of the wheel support.

Install three 3/8 x 3/4" bolts (item 5) in the other holes and secure with the flange nuts.

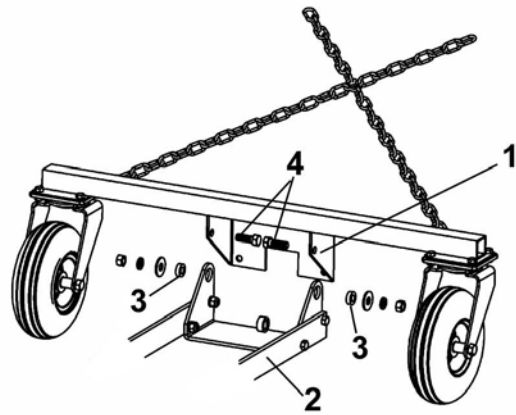
Tighten firmly.



Install wheels and chains

Install the wheel support (item 1) to the snowblower's pivot support (item 2) with two 1" dia x 0.31" sleeves (item 3) and two 1/2 x 1 1/2" bolts (item 4), flatwashers, lockwashers and nuts.

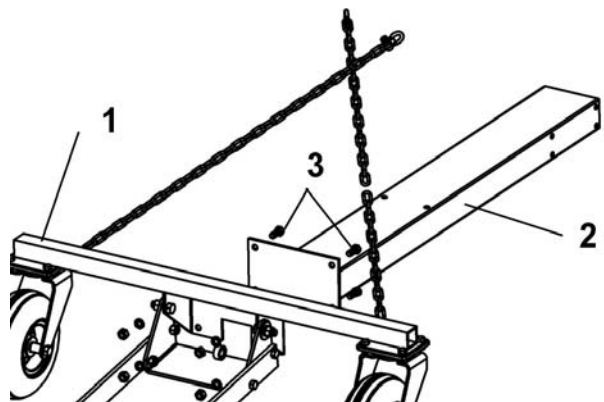
Tighten firmly.



Install pivot support

Install the subframe (item 2) to the wheel support (item 1) with four 7/16 x 1" bolts (item 3), lockwashers and nuts.

Tighten the bolts firmly.



Install the subframe to the wheel support

ASSEMBLY

Install the subframe extension (item 2) to the subframe (item 1) using eight 3/8 x 3/4" hex bolts (item 3) and nylon nuts.

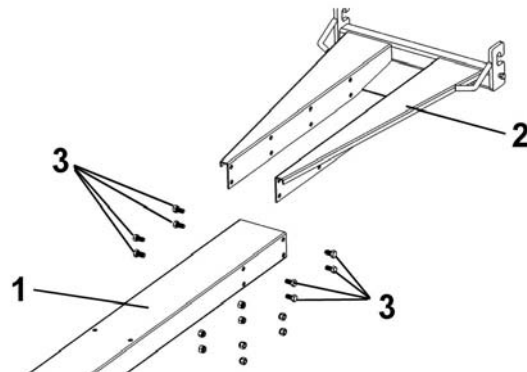
Tighten firmly.

NOTE: This subframe extension is adjustable in order to install cat tracks on the A.T.V.
Adjust to the appropriate length to you're A.T.V.

Example:

A.T.V. with wheels: adjust subframe to its shortest.

A.T.V. with cat tracks: adjust subframe to its longest.

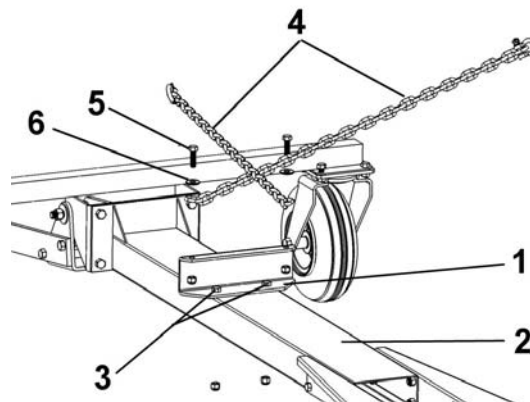


Install subframe extension

For A.T.V. equipped with cat tracks:

Install the chain adaptor (item 1) on the subframe (item 2) with two 3/8 x 1" hex bolts (item 3). Secure with two 3/8" nylon insert lock nuts.

Attach the chains (item 4) on the top of the chain adaptor with two 3/8 x 1 1/4" hex bolts (item 5) and two flat washers (item 6) on the chain. Secure with two 3/8" nylon insert lock nuts.



Install adaptor & chains

ASSEMBLY

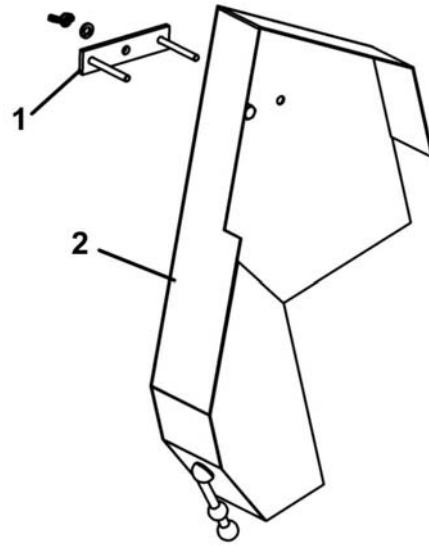
STEP 3

ENGINE INSTALLATION:

IMPORTANT: We recommend using a 13 H.P. motor on this snowblower.

DO NOT USE A MOTOR BIGGER THAN A 13 HP, THE PULLEYS AND BELTS ARE CALIBRATED FOR A 13 HP MOTOR AND NOT BIGGER,

Remove the belt guide stopper (item 1) and the belt guard (item 2).



Remove belt guard

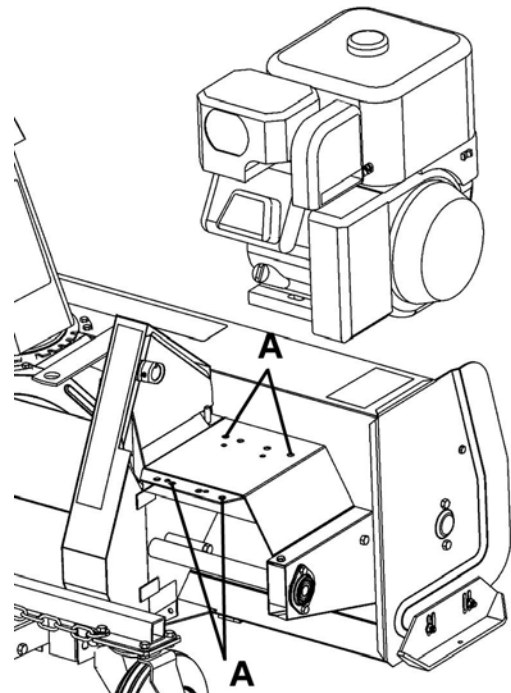
ENGINE INSTALLATION, (HONDA, BRIGGS & STRATTON OR TECUMSEH) 13 HP

Install the engine on the stand, using the holes identified as item A.

Secure with four 3/8 x 1 1/2" bolts, two flatwashers (over the slot) and nuts.

NOTE: Make sure the side of the base of the engine is parallel with the snowblower's body.

Tighten the bolts firmly.



Install engine

ASSEMBLY

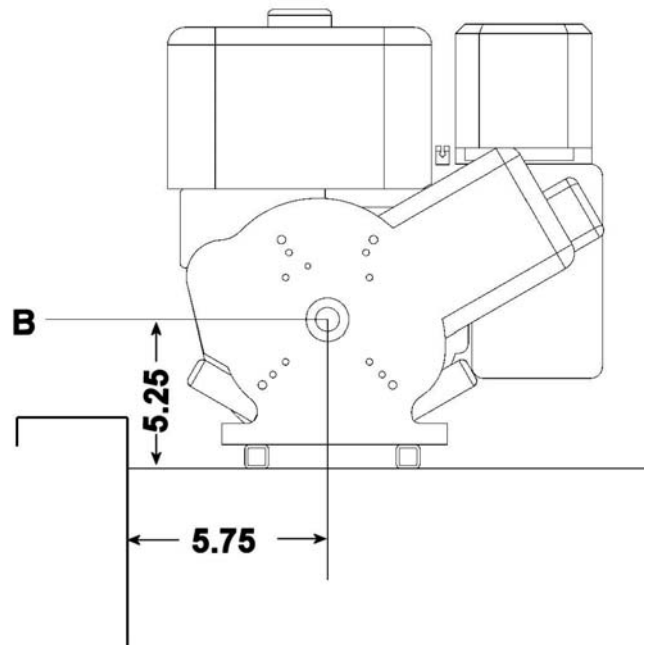
INSTALLATION OF OTHER BRANDS OF ENGINES:

Place the engine on a table. Measure the height (item B) from the middle of the crank shaft to the table. Use one of the two shims (3/4" or 1") if required, to attain the height of 5.25". If more or less height is needed, use a couple of flatwashers.

Install the engine and shims on the stand. Choose the set of holes that correspond with the holes at the base of the engine.

The center of the crank shaft must be 5.75" from the back of the snowblower.

Make sure that the base of the motor is parallel with the snowblower frame.



Install engine

ASSEMBLY

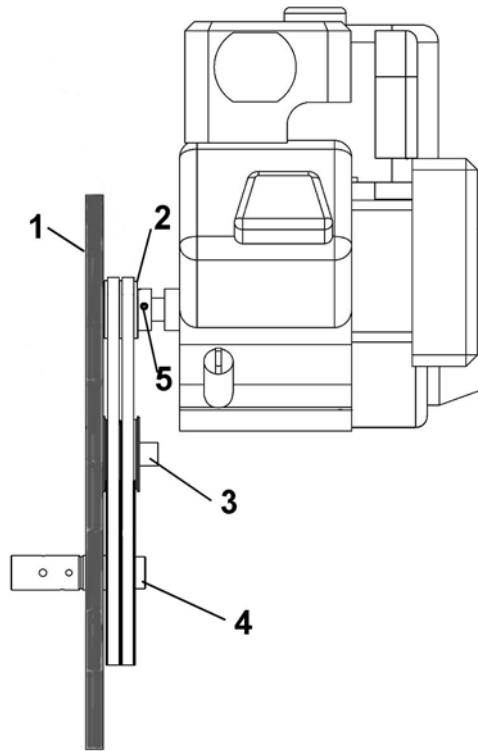
Install the 2 1/2" pulley (item 2) on the motor shaft as shown (hub towards the engine) with a 1/4" x 1/4" x 1 3/4" key.

Install the V belts on the pulleys.

Align the 2 1/2" pulley (item 2), idler pulley (item 3) and double pulley (item 4) by using a straight edge (item 1).

Tighten firmly the pulley's allen set screws (item 5).

After installing the belts, you may run the engine without the belt guard but only for the time needed to verify the belt alignment and only under strict supervision. **Do not approach (you or anyone else) the moving parts.** Engage and disengage the snowblower to verify if the belts are well aligned, especially on the idler pulley (item 3). If necessary you can add or remove a flat washer for final adjustment.



Install and align pulleys and V-belts



DANGER



Without the belt guard and belt guide stopper in place, the snowblower will not stop or will stop too slowly when you disengage the clutch.

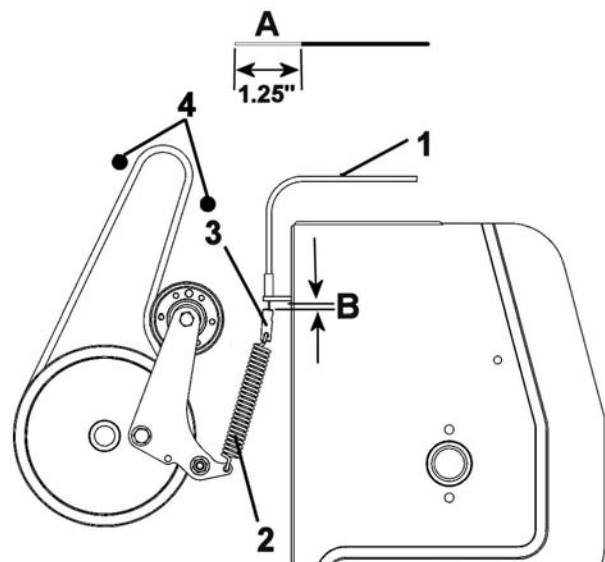
Adjust the clutch cable (item 1). The distance (item B) between the cable end (item 3) and the cable support should be 1/4" (.250") to 5/16" (.312") when in the engaged position.

If not, adjust the cable (item 1) by extending the cable adjustment (See instructions on p.22). If the cable adjustment is at its limit, unhook the spring (item 2) and remove the cable end (item 3). Shorten the cable adjustment. Cut the inner cable 1 1/4" longer than the shield and reinstall as removed. Reinstall the cable end with the hex socket set screw. Do not tighten too firmly the hex socket set screw, if too tight it might cut the inner cable.

Verify the adjustment.

NOTE: If there is not enough tension on the spring (item 2) the belts will be ruined.

NOTE: When the belt guide stopper is installed, the belt should clear the pins (items 4) by 1/8" (.125") when the clutch arm is in the engaged position.



Adjust clutch cable

ASSEMBLY



DANGER



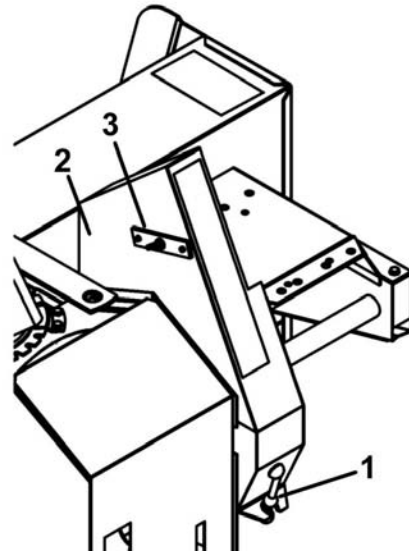
Never let the snowblower motor run without the belt guard & belt guide stopper in place.

NOTE: The clutch arm must be engaged (pulled towards the driver) before installing the belt guide stopper, if not the belts will be destroyed.

Install the belt guard (item 2) and secure in place with the rubber latch (item 1).

Install the belt guide stopper (item 3) (belts inside the pins) and secure with lockwasher and wing nut.

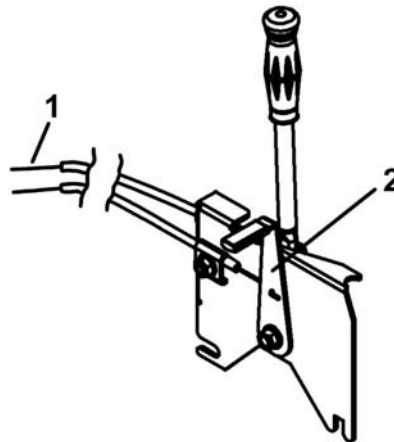
Disengage the clutch.



Install belt guard and belt guide stopper

Install the throttle cable (item 1) on the engine carburetor throttle lever.

Adjust the carburetor lever in the middle position and the hand lever (item 2) perpendicular or in the middle position.



WARNING



TO PREVENT INJURIES:

Start the engine, engage and disengage the clutch to be sure it functions normally.

This means when you disengage the clutch, the snowblower will stop immediately.

Install throttle cable

ASSEMBLY

STEP 4

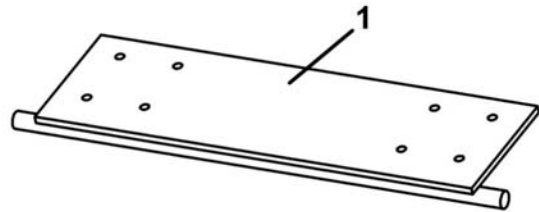
INSTALLATION ON THE A.T.V.:

Install the optional quick hitch mounting brackets (item 1) under the A.T.V. Refer to the Mounting Bracket Chart to identify the proper bracket model for your A.T.V. (see table of contents).

Follow the mounting instructions supplied with the mounting bracket kit.

NOTE: This kit comes with everything needed to install the blade. If the blade is not used, install only the quick hitch.

DO NOT INSTALL THE OTHER ITEMS.



Install optional quick hitch

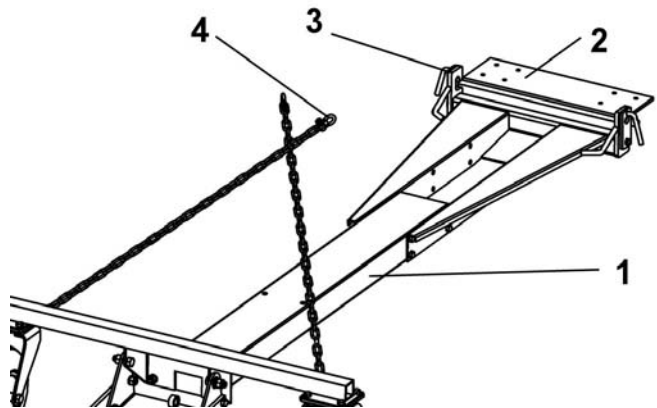
Carefully drive the A.T.V. over the subframe.

Hook the subframe (item 1) to the quick hitch bracket (item 2) and secure in place with the handle locks (item 3).

Attach the chains with the shackles (item 4) to the A.T.V.'s suspension to prevent the snowblower from swaying side to side.

NOTE: Do not install the chains to the front bumper of the ATV.

Chains must be tight and crossed horizontally, parallel to the ground as shown.



Install subframe

ASSEMBLY

LIFT THE SNOWBLOWER USING THE A.T.V.'S WINCH:

NOTE: Optional kit #700269 Lift connection kit (items 1 & 2) must be used. This kit will double the winch's lifting and braking capacity and reduces the lifting speed by 50%. This will prevent damage to the snowblower's engine.

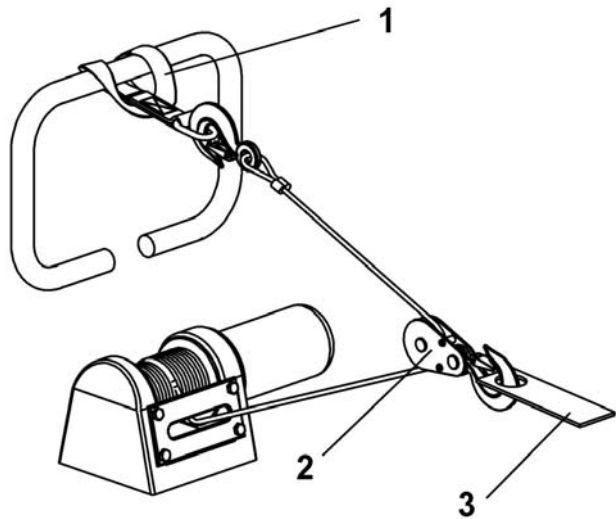
Hook the pulley block (item 2) into the hole on the flat bar welded on top of the snowblower (item 3).

Remove the pulley from the block to pass the winch cable through the pulley block. Use the nylon strap (item 1) supplied in the kit to attach the winch cable to the A.T.V.'s chassis.

If the winch is located lower than the pulley block on the snowblower, attach the cable in the highest position possible on the A.T.V.'s chassis.

If the winch is located higher than the pulley block on the snowblower, attach the cable in the lowest position possible on the A.T.V.'s chassis.

If snowblower doesn't raise evenly see below for instructions.



Install lift connection kit

VERIFY IF SNOWBLOWER RAISES EVENLY

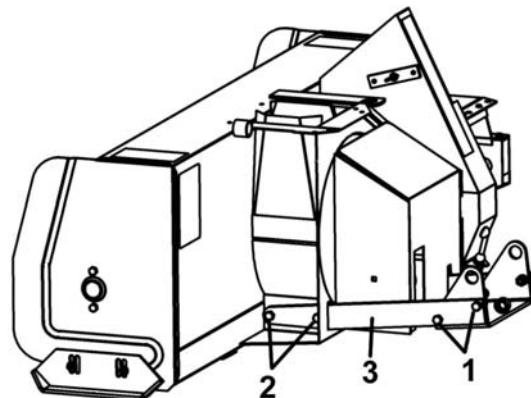
If snowblower does not raise evenly, follow these instructions:

Loosen the eight bolts (items 1 & 2, four on each side) which hold the push frame (item 3).

Lift the engine side of the snowblower and slide a 1 1/2" (approx.) piece of wood underneath.

Tighten the eight bolts very firmly (torque to 65 lbs/ft).

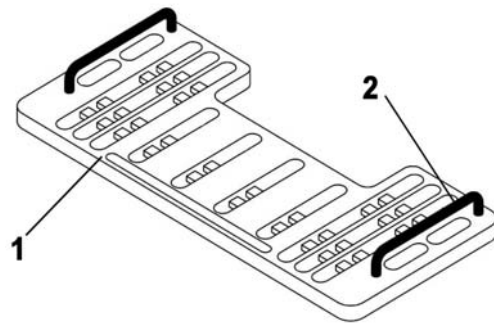
The snowblower should raise evenly. If not, repeat the procedure using thicker or thinner pieces of wood depending on the weight of the engine.



Verify if the snowblower raises evenly

ASSEMBLY

NOTE: To install the clutch controls and the rotation arm support on an A.T.V. which has a plastic rack (item 1), you must purchase the optional kit "Control support" (item 2).



Control support

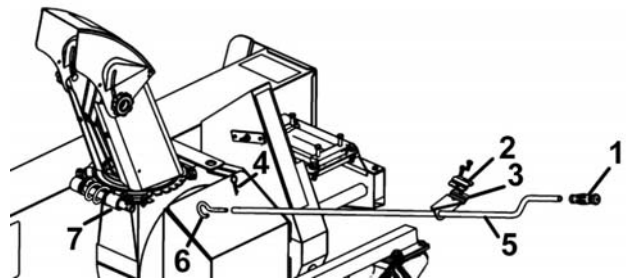
Install the handle support (item 3) with the support bracket (item 2) using the 1/4 x 3/4" bolts and nuts on the left hand side of the A.T.V.'s rack. Choose the ideal place and make sure the hand crank is easily accessible and does not interfere with the steering handlebars.

Install the 1/2 x 3" handgrip (item 1) on the handle (item 5).

Insert the handle through the hole in the handle support (item 3).

Install the handle hook (item 6) on the rotation worm (item 7).

Insert the hook on the rotation handle and lock in place with a 2.5 mm hair pin (item 4).



Install handle

Install the clutch holder (item 1) on the right hand side of the A.T.V.'s front rack.

Identify where is the best place, making sure the driver has easy access to the controls.

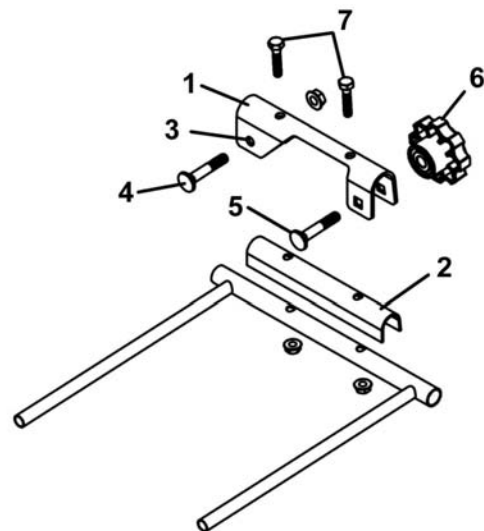
Wrap the rubber pad (item 2) over the tube.

Install the clutch holder (item 1) on the tube over the rubber pad with the round hole (item 3) towards the front.

Secure with a 5/16 x 1 3/4" carriage bolt (item 4), in the front hole. Secure with nut and tighten lightly. The space between the bolt head and the brace is intentional and is designed to attach the clutch support. Install a 5/16 x 1 3/4" carriage bolt (item 5) in the rear square hole and secure with the knob (item 6). The clutch holder should be exactly 90° parallel with the ground.

Using the support as a template, drill through the tube and secure with two 1/4 x 1 1/4" bolts (item 7) and nuts.

Tighten firmly.



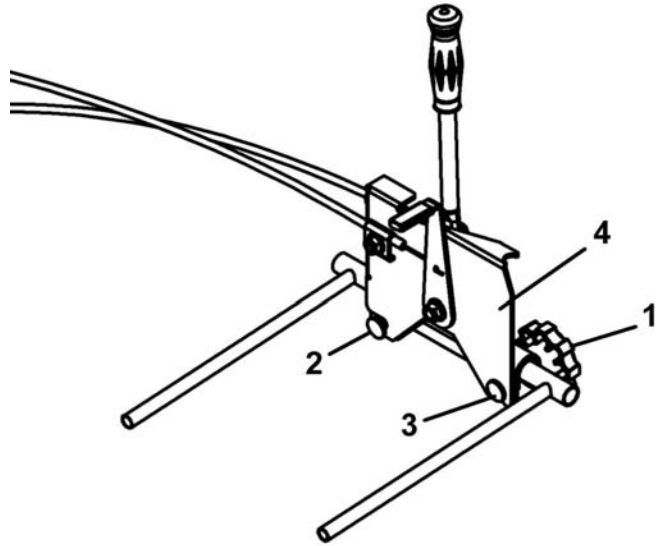
Install clutch brace

ASSEMBLY

Install the clutch support (item 4) by loosening the knob (item 1) and slide the front slot between the bolt head (item 2) and the support. Slide the back slot between the bolt head (item 3) and the support.

Secure with the knob (item 1).

Tighten all the bolts firmly.

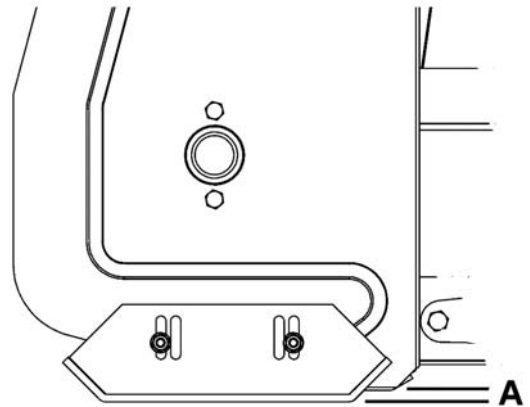


Install clutch support

VERIFY SKID SHOE ADJUSTMENT:

LEVEL PAVED SURFACE: Adjust skid shoes to allow 3/16" to 1/4" clearance (A) between cutting edge and surface.

UNEVEN OR GRAVEL SURFACE: Adjust skid shoes to allow 1/2" to 5/8" clearance (A) between cutting edge and surface.



Adjust skid shoes

OPERATION

OPERATING THE SNOWBLOWER

- a) Make sure the snowblower is clear of snow before engaging the clutch.
- b) Make sure that the auger and impeller operate freely.
- c) Start the snowblower engine.
- d) Before engaging the snowblower drive, always have the engine running at medium R.P.M.
- e) Operate the snowblower at maximum engine R.P.M.

IMPORTANT: USE FULL ENGINE R.P.M. WHEN REMOVING WET, STICKY SNOW. LOW R.P.M. POWER WILL TEND TO PLUG THE CHUTE.

CONTROLS

CHUTE ROTATION

The chute rotation handle is located to the left of handle bars. Turning the handle in a clockwise direction, the discharge chute will turn in a clockwise direction or vice versa.

CHUTE DEFLECTOR

Set the angle of the deflector according to the distance the snow must be blown and to prevent property damage. To change the deflector angle, loosen the two deflector knobs & adjust the deflector to the appropriate angle and retighten the two knobs.

RAISING AND LOWERING THE SNOWBLOWER:

Use the winch switch control to raise and lower the snowblower.

ENGAGING AND DISENGAGING THE SNOWBLOWER:

Engage the snowblower when the engine is running at medium R.P.M. To engage, pull the clutch lever towards the back and to disengage, move the lever forward.

REMOVING SNOW

When removing snow, do not use the snowblower as a dozer blade to push snow. Allow snowblower to ingest snow at its own speed. If the speed of your A.T.V. is too fast, the snowblower may become overloaded and plug. For best results, raise the snowblower and remove a top layer of snow. A second pass with the snowblower will remove the remaining snow.



WARNING



Read the A.T.V.'s owner's manual carefully. Be thoroughly familiar with the controls & proper use of the attachment. Know how to stop the unit & disengage the controls quickly.



WARNING



- Do not attempt to clear plugged chute, auger or fan of snow while the snowblower's engine is running.
- Disengage snowblower.
- Lower snowblower onto ground.
- Set the parking brake.
- Stop engine, remove the ignition key, disconnect the wire from spark plug(s) and keep away from spark plug(s) to prevent accidental starting.
- Make sure all moving parts have stopped.
- Do not use hand to unplug chute.
- Use a 36" (924 mm.) minimum length stick or board.



WARNING



- TO PREVENT INJURIES AND FOR MORE TRACTION WHEN USING SNOWBLOWER:**
- Do not drive faster than 3 km/hr (2 m/hr) with snowblower on the ground.
 - Do not drive faster than 10 km/hr (6 m/hr) with the snowblower in raised position.
 - Do not operate on a slope greater than 10°.
 - A.T.V. manufacturer approved tire chains are required.

MAINTENANCE



WARNING



TO PREVENT INJURIES:

Stop the snowblower motor.
Apply parking brakes.
Remove the ignition key.
Disconnect the wire from the spark plug(s) and keep away from spark plug(s) to prevent accidental starting.

MAINTENANCE

- Check mounting bolts at frequent intervals for proper tightness in order to prevent costly repairs. Make sure your snowblower is in safe working condition.
- Provide adequate blocking before working under the snowblower when in raised position.

ADJUSTMENTS

SKID SHOE ADJUSTMENT:

Level Paved Surface: Adjust skid shoes to allow 3/16" to 1/4" clearance between cutting edge and surface.

Uneven or Gravel Surface: Adjust skid shoes to allow 1/2" to 5/8" clearance between cutting edge and surface.

LUBRICATION

Grease the wheel axles, the fork pivots and the hub on the double pulleys after every 4 hours of use.

Apply oil at all pivot points.

Drive Chains: Lubricate with chain saw chain lubricant every four hours of operation and at the end of each operation.

Chute Rotation System: Oil chute base, rotation worm every eight hours of operation.

CUTTING EDGE MAINTENANCE

Verify from time to time the wearing on the cutting edge to make sure you do not wear out the base of the snowblower's chassis. This cutting edge is reversible. All you have to do is unscrew the bolts and turn the cutting edge, reinstall and tighten the bolts securely.

SHEAR BOLT REPLACEMENT

***The shear bolt is to be considered a preventive measure and not an assured protection. Operator vigilance is required. Thoroughly inspect the areas where the snowblower is to be used and remove all foreign objects.**

Auger Shear Bolt Replacement:

The auger is protected by a shear bolt with two grooves. If you hit a foreign object or ice, the shear bolt is designed to break upon absorbing impact. The auger will stop turning. This is to avoid damage to the auger or the snowblower. Replace only with original parts (for identification, see parts list: "Snowblower"). The use of any other bolt may void the warranty.

STORAGE

- Clean snowblower and subframe thoroughly and repaint all parts from which paint has worn.
- List the replacement parts that will be needed to be replaced before the next season.
- Follow the instructions in the Lubrication section.
- Concerning the snowblower engine, follow the instructions in the engine owner's manual.
- Store the snowblower and the subframe in a dry place.

BELT REPLACEMENT & ADJUSTMENTS

BELT REPLACEMENT:

For belt part numbers, refer to parts breakdown section for parts identification.

- a) Remove the belt guide stopper.
- b) Remove the belt guard.
- c) Remove the auger shear bolt.
- d) Remove the chain guard.
- e) Unlink the chain by removing the connecting link and take off the chain.
- f) Remove the auger drive shaft assembly.
- g) Remove the old V-belts and install the new V-belts.
- h) Reinstall the drive shaft and secure in place.
- i) Reinstall the auger shear bolt.

IMPORTANT: Install the drive shaft and shear bolt in first, to make sure that the parts are in their proper locations.

- j) Reinstall the roller chain with the connecting link.
- k) Reinstall the chain guard.
- l) Verify the belt tension so that it is always adjusted at its maximum. See instructions in next section.
- m) After installing the belts, you may run the engine without the belt guard but only to verify the belt alignment and only under strict supervision. Do not approach (you or anyone else) the moving parts. Engage and disengage the snowblower to verify if the belts are well aligned, especially on the idler pulley. If necessary, you can add or remove a flat washer for final adjustment.
- n) Reinstall the belt guard and the belt guide stopper.

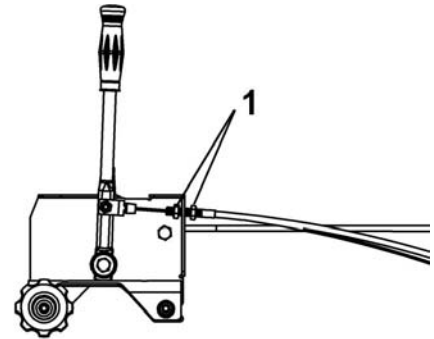
Important: Make sure the clutch arm is engaged before installing the belt guide stopper, the belts should be inside the pins (item 4) of the belt guide stopper, if not, the belts will be ruined.

TENSION CABLE ADJUSTMENT:

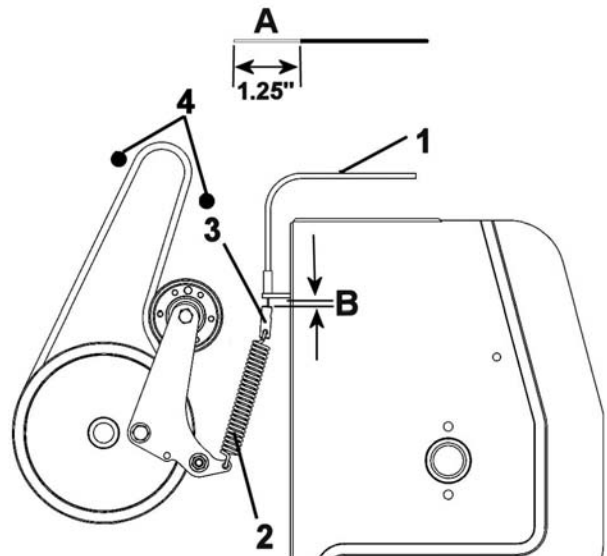
IMPORTANT:

To ensure a longer life span of the belts: Notice when you engage the snowblower by pulling the clutch arm, the last few inches of the pull, you must feel a stronger resistance, due to the tension on the belt. If you do not feel this tension, re-adjust the cable. Follow the instructions below.

To adjust the cable, disengage the clutch arm. Loosen the two nuts (item 1). Adjust to obtain the right tension. The distance (item B) between the cable support and the cable end (item 3) should be 1/4" (.250") to 5/16" (.312") when in the engaged position.



Adjust cable



Adjust cable



CAUTION



Never use the snowblower without the belt guard.

TROUBLESHOOTING

PROBLEM	POSSIBLE CAUSES	CORRECTIVE ACTION
Snowblower is noisy. NOTE: Please note this snowblower may appear to be noisy.	New chain and new sprocket.	Lubricate the roller chain. NOTE: When snowblower is new it is louder, the noise will decrease over time.
Snowblower vibrates or is abnormally noisy.	Damaged pulley.	Replace pulley.
	Damaged bearing.	Replace bearing.
	Damaged fan.	Dismount & repair or replace fan.
	Auger bent.	Replace auger.
Auger stopped turning.	Shear bolt broken.	Replace shear bolt (for identification, see Parts List "Snowblower"). Also see "Maintenance" section.
	Chain broken or connecting link unlocked.	Remove chain guard (for identification, see Parts List "Snowblower"). Inspect and repair if needed.
Snowblower stopped turning.	The belts are damaged or snapped.	Check & replace damaged belts (see instructions in section: Belt replacement & adjustments.
Belt is worn at a specific point.	Snowblower was engaged when already plugged.	Make sure auger & fan are not plugged or frozen before engaging snowblower.
	Lack of tension on the belt.	Adjust the manual clutch cable or replace the springs if they are stretched.
Belt showing premature wear.	Spring stretched. Cable stretched.	Check spring. Replace if stretched. Check cable adjustment and readjust as needed. See cable adjustment in the owner's manual.
Belts burned.	Belts not installed properly.	Before installing the belt guard and stopper, make sure to engage the clutch arm and make sure the belts are inside the pins. The belt must clear the pins by 1/8".
Chute rotation is difficult.	Dirt or ice may be underneath chute.	Clean the base of chute & the rotation ring. Lubricate chute inside & out and the rotation worm.
	The base of the chute may be damaged or bent.	Clean parts, lubricate & reinstall. Make sure the retaining plates are not too tight on the chute base, it may be a reason why the chute is not turning freely.

TROUBLESHOOTING

PROBLEM	POSSIBLE CAUSES	CORRECTIVE ACTION
The chute plugs easily.	Snowblower engine is turning too slowly.	Always have engine at full R.P.M. when using the snowblower.
	Advancing too quickly with A.T.V.	Reduce speed. Allow snowblower to ingest snow at its own speed.
Snowblower digs into ground.	Ground is not frozen or too soft.	Adjust skid shoes lower so they may better support the snowblower.
Snowblower does not raise evenly.	Tire pressure uneven from one side to another.	Verify and adjust tire pressure: 50 p.s.i.
	The snowblower's is not well balanced.	<p>If it does not raise evenly, follow these instructions:</p> <p>Loosen the eight bolts which hold the push frame.</p> <p>Lift the engine side of the snowblower and slide a 2" (approx.) piece of wood underneath.</p> <p>Tighten the eight bolts very firmly (torque to 65 lbs/ft).</p> <p>If the blower still doesn't raise evenly, repeat the procedure using thicker or thinner pieces of wood depending on the weight of the engine.</p>

MOUNTING BRACKET CHART TABLEAU DES SUPPORTS DE MONTAGE

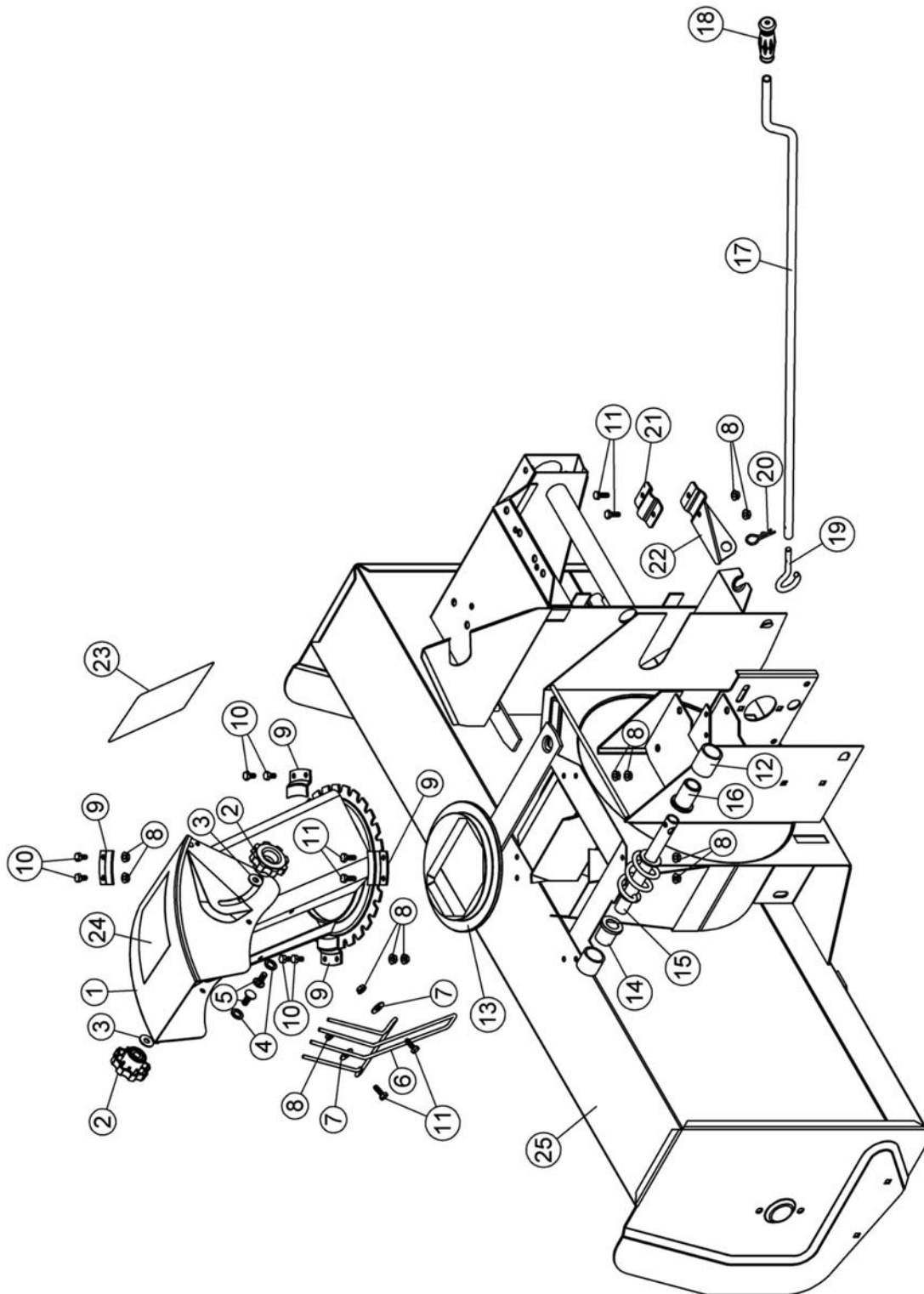
BRAND	MODEL	QUICK HITCH BRACKET	
ARCTIC CAT	650 4x4 V2	2005	073063
	650 4x4 V2/LE	2005	073063
	650I 4x4 Auto LE	2004	073040
	650I 4x4 Auto	2004	073040
	650I 4x4 MRP	2004	073040
	500 4x4	2005	073063
	500 4x4 LE	2005	073063
	500/400I 4x4 Auto/Manual	2004	073040
	500I 4x4 MRP	2004	073040
	500 2 upseat TRV	2003-05	073040
	500i (FIS)/500 Auto Manual 4x4	2002-04	073040
	500 MRP	2004	073040
	500/500 Auto 4x4	2002-04	073040
	500i/500i Auto 4x4	2002-03	073040
	Bearcat 500/500 Auto	2001	073029
	Bearcat 500-4x4	1998-00	073017
	Bearcat 500 Auto	2000	073029
	Bearcat 454-4x4	1996-98	073017
	400 Man./400 Auto 2x4,4x4	2002-03	073040
	400I (FIS), MRP 2x4, 4x4	2003	073040
	400I (FIS) 4x4	2002	073040
	Bearcat 400,4x4	1998-01	073017
	375 Auto 4x4/2x4	2002	073040
Bearcat 300,4x4	1998-01	073017	
BOMBARDIER	Quest Max 650	2004	073116
	Quest 650XT/XL	2003-04	073116
	Quest 500 XT/XL	2004	073116
	Quest 650/500 4x4	2003	073116
	Quest 650XT	2002	073116
	Traxter Max 650 CVC	2005	073116
	Traxter Max 500	2003-05	073116
	Traxter 500/650 VC	2005	073116
	Traxter 500,XT	2003-05	073116
	Traxter 500, XL	2003-05	073116
	Traxter 500	2002	073116
	Traxter 500XT	2001-02	073116
	Traxter 500-4x4	1999-01	073116
	Outlander MAX 330/400	2005	073125
Outlander 330, 400	2003-05	073125	
HONDA	Rincon 650 GPScape	2003-05	073254
	Rubicon 500 FG Canadian Edition only	2005	073297
	Rubicon 500 FA/FGA	2005	073297
	Rubicon 500 4x4	2001-04	073239
	Foreman 500 TM/FM/FE	2005	073297
	Foreman 450ES 4x4	1998-04	073221
	Foreman 450S 4x4	1998-03	073221
	Rancher 400AT GPScape	2004	073269
	Foreman 400 4x4	1995-02	073221
	Rancher 350 2 and 4x4S/ES	2004	073281
	TRX 350 FE/TE 4x4/2x4	2000-03	073229
	TRX 350 FM/TM 4x4, 2x4	2000-03	073229
	TRX 300 4x4	1993-00	073211
	TRX 300 4x4	1988-92	073211
JOHN DEERE	Buck		073116
	Buck EXT		073116
	Buck EX		073116
	Trail Buck 500		073116
	Trail Buck 650		073116
	Trail Buck 650 EXT		073116
	Trail Buck 650 EX		073116

MOUNTING BRACKET CHART TABLEAU DES SUPPORTS DE MONTAGE

BRAND	MODEL	QUICK HITCH BRACKET
JOHN DEERE	Buck	073116
	Buck EXT	073116
	Buck EX	073116
	Trail Buck 500	073116
	Trail Buck 650	073116
	Trail Buck 650 EXT	073116
	Trail Buck 650 EX	073116
KAWASAKI	KVF 750 Brute Force 2005	073364
	KVF 700 Prairie/HDW 4x4 2004-05	073341
	KVF 650 Brute Force 2005	073361
	KVF 650 2002-03	073397
	KVF 400 4x4 1999-02	073396
	KVF 360 2003-04	073331
	KVF 300-4x4 1999-02	073395
POLARIS	Sportsman Twin 800 2005	073451
	Sportsman Twin 700 2005	073451
	Sportsman 700 Twin 2004 and 1/2	073414
	Sportsman 700 2002-03	073414
	Sportsman Twin 600 2005	073451
	Sportsman 600 Twin 2004 and 1/2	073414
	Sportsman 600 2003	073414
	Sportsman 500 H.O Single 2005	073452
	Sportsman 500 H.O 2004 and 1/2	073432
	ATP 500 H.O 2003-04	073404*
	Sportsman 500 1996-03	073419
	Sportsman 500 6x6 2002-04	073404
	Explorer 500-4x4 1997	073419
	Magnum 500 4x4 1999-03	073404
	Big Boss 500 6x6 1998-99	073402
	Xpedition 425 4x4 2000-02	073404
	Magnum 425 4x4 1995-98	073402
	Magnum 425 2x4 1995-98	073402
	Sportsman 400 Single 2005	073452
	Sportsman 400 2004 and 1/2	073432
	Sportsman 400 2001-03	073419
	Sportsman 400 1994-97	073402
	Big Boss 400 6x6 1994-97	073402
Trail Boss 350 4x4 1990-93	073402	
Sportsman 335 1999-00	073419	
Magnum 330 4x4 2003	073404	
SUZUKI	King Quad 700 4x4 2005	076550
	Twin Peaks 700 2004-05	073341
	Vinson 500 2002-05	073627
	QuadMaster 500 Auto 2000-01	073617
	Quadrunner 500 4x4 1998-02	073609
	Eiger 400 all 2002-05	073632
	300 King Quad 4x4 1999-2002	073616
YAMAHA	Rhino 660 2 seat	073772
	Grizzly 660 2002-05	073753
	Grizzly 600-4x4 1998-01	073707
	Kodiak 450 4x4-Ultra 2003-05	073752
	Kodiak 400 4x4 Ultra 2005	073752
	Kodiak Ultra 400 2004	073752
	Kodiak Ultra 400 SE 4/2x4 2000-03	073752
	Kodiak Ultra 400 Single Range 2003-04	073752
	Kodiak 400 (5v)-4x4 1999	073711
	Kodiak 400 4x4 Dual Range 1996-99	073706
	Kodiak 400 4x4 Kodiak 1993-95	073706
	Big Bear Prof. 400-4x4 2000-04	073706
	Big Bear 400-4x4 2001	073730
	Big Bear 350-4x4 1997-98	073711
	Big Bear SE (10sp) 1998-01	073706
	Big Bear SE 350 10sp 1996-97	073706
	Bruin 350 Auto 2 and 4x4 2004-05	073752
Wolverine 350 FX 1995-01	073705	

*Fits only with Manual lift plow.

**PARTS BREAKDOWN / NOMENCLATURE DES PIÈCES
ROTATION SYSTEM WITH CHUTE
SYSTÈME DE ROTATION AVEC GOULOTTE**

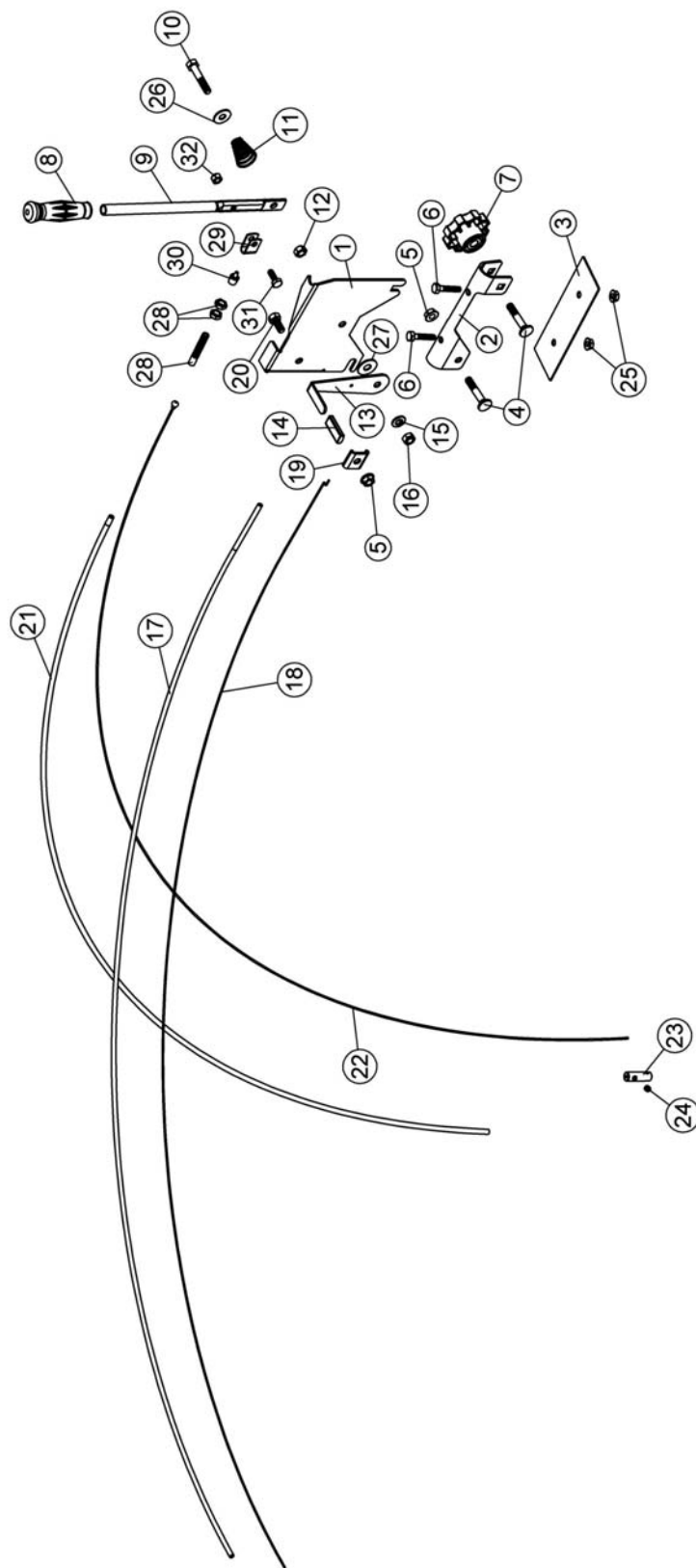


PARTS LIST / LISTE DES PIÈCES

Ref. Réf.	English description	Description française	Qty. Qté.	Part # Pièce #	Kimpex #
1	Chute	Goulotte	1	102058	088844
2	Knob	Bouton	2	102020	088910
3	Nylon flat washer 11/32"	Rondelle plate de nylon 11/32"	2	102009	
4	Nylon flat washer 7/16"	Rondelle plate de nylon 7/16"	2	102011	
5	Carriage bolt 5/16" n.c. x 3/4"	Boulon à carrosserie 5/16" n.c. x 3/4"	2	O/L	
6	Hand guard	Fourche protectrice	1	102012	088931
7	Flat washer 5/16" hole	Rondelle plate 5/16" trou	2	O/L	
8	Flange nut 1/4" n.c.	Écrou à bride 1/4" n.c.	12	O/L	
9	Retaining plate	Plaque de retenue	4	102007	088411
10	Hex. bolt 1/4" n.c. x 1/2"	Boulon hex. 1/4" n.c. x 1/2"	6	O/L	
11	Hex. bolt 1/4" n.c. x 3/4"	Boulon hex. 1/4" n.c. x 3/4"	6	O/L	
12	Worm support	Support de spirale	1	102014	088929
13	Rotation ring	Anneau de rotation	1	102016	088919
14	Rotation bushing	Coussinet de rotation	1	102060	058294
15	Rotation worm	Spirale de rotation	1	102005	058293
16	Rotation bushing	Coussinet de rotation	1	102059	058295
17	Handle	Manivelle	1	102061	088890
18	Handgrip	Poignée	1	102062	088889
19	Handle hook	Crochet de manivelle	1	102006	088896
20	Hair pin 2.5 mm.	Goupille à ressort 2.5 mm	1	102013	088888
21	Support bracket	Fixation du support	1	103068	088415
22	Handle support	Support de manivelle	1	103067	088414
23	Warning decal	Décalque attention	1	102125	
24	Danger decal	Décalque danger	1	102127	
25	Frame	Châssis	1	REF	

O/L= Obtain locally / Obtenir localement

**PARTS BREAKDOWN / NOMENCLATURE DES PIÈCES
MANUAL CLUTCH MECHANISM /
MÉCANISME D'EMBRAYAGE MANUEL**

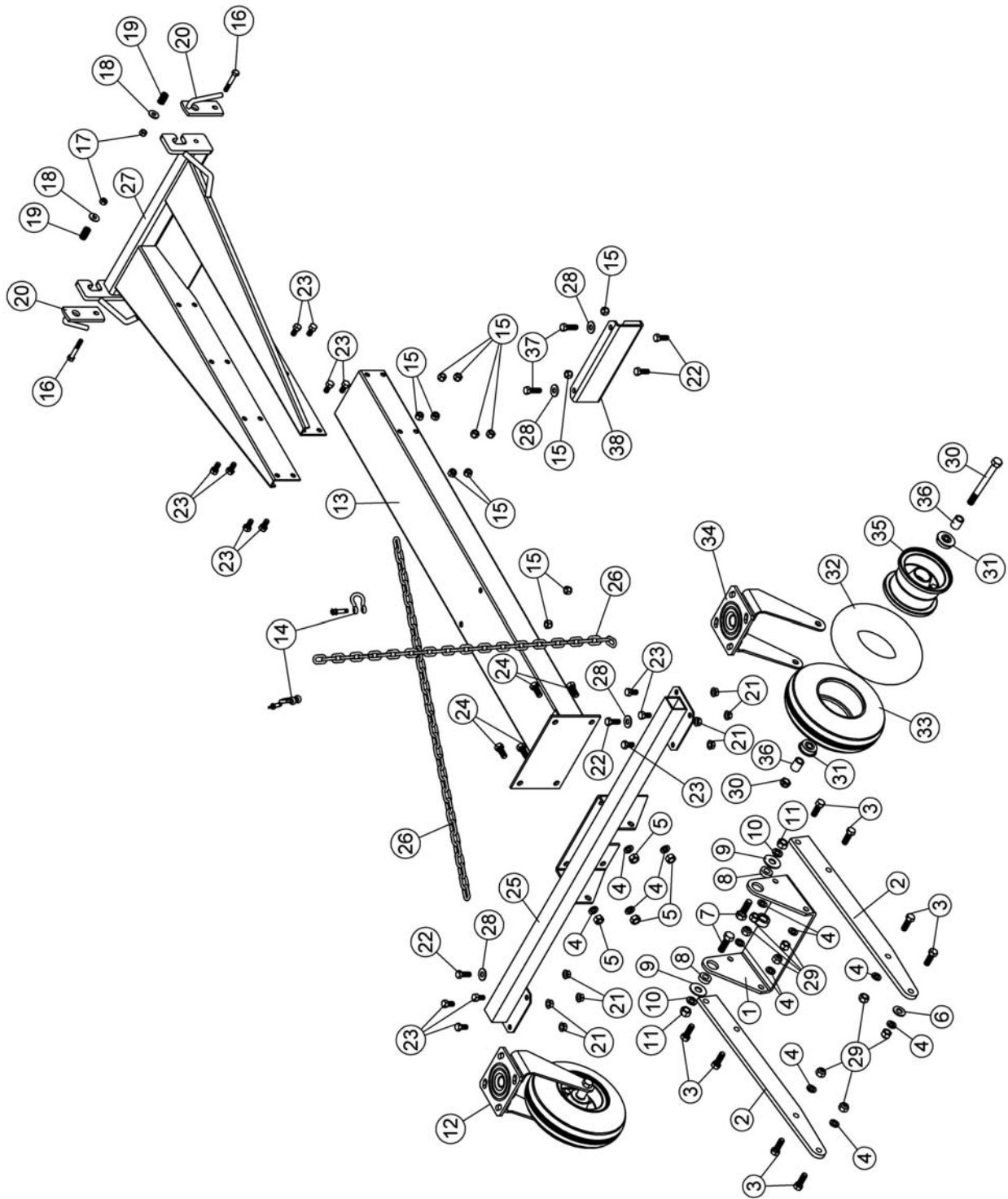


PARTS LIST / LISTE DES PIÈCES

Ref. Réf.	English description	Description française	Qty. Qté.	Part # Pièce #	Kimpex #
1	Clutch support	Support d'embrayage	1	103201	088405
2	Clutch holder	Fixation d'embrayage	1	102542	088912
3	Rubber	Caoutchouc	1	102545	088880
4	Carriage bolt 5/16" n.c. x 1 3/4"	Boulon à carrosserie 5/6" n.c. x 1 3/4"	2	O/L	
5	Flange nut 5/16" n.c.	Écrou à bride 5/16" n.c.	2	O/L	
6	Hex. bolt 1/4" n.c. x 1 1/4"	Boulon hex. 1/4" n.c. x 1 1/4"	2	O/L	
7	Knob	Bouton	1	102020	088910
8	Handgrip	Poignée	1	102062	088889
9	Clutch Arm	Bras d'embrayage	1	103202	088406
10	Hex. bolt 5/16" n.c. x 1 3/4"	Boulon hex. 5/16" n.c. x 1 3/4"	1	O/L	
11	Cone spring	Ressort conique	1	102302	088882
12	Hex. nut 5/16" n.c.	Écrou hex. 5/16" n.c.	1	O/L	
13	Throttle arm	Bras d'accélérateur	1	102541	088883
14	Handle grip	Poignée de plastique	1	102546	088884
15	Belleville washer 3/8"	Rondelle Belleville 3/8"	1	102144	
16	Stover lock nut 5/16" n.c.	Écrou de blocage 5/16" n.c.	1	O/L	
17	Cable shield	Gaine de câble	1	102557	
18	Inner wire	Broche intérieur	1	102540	088898
19	Spring bracket	Fixation du ressort	1	102210	088886
20	Hex. bolt 5/16" n.c. x 3/4"	Boulon hex. 5/16" n.c. x 3/4"	1	O/L	
21	Cable shield	Gaine de câble	1	102539	088895
22	Inner cable	Câble intérieur	1	102538	088894
23	Cable end	Embout de câble	1	102543	088887
24	Hex. socket set screw 1/4" n.c. x 1/4"	Vis à pression hex. 1/4" n.c. x 1/4"	1	O/L	
25	Flange nut 1/4" n.c.	Écrou à bride 1/4" n.c.	2	O/L	
26	Flat washer 5/16" hole	Rondelle plate 5/16" trou	1	O/L	
27	Flat washer 3/8" hole	Rondelle plate 3/8" trou	1	O/L	
28	Cable adjustment w/ 2 nuts	Ajustement de câble à/ 2 écrous	1	103203	088407
29	Cable clevis	Clévis pour câble	1	103204	088408
30	Cable protector	Protecteur de câble	1	103205	088409
31	Hex. bolt 1/4" n.c. x 3/4"	Boulon hex. 1/4" n.c. x 3/4"	1	O/L	
32	Nylon insert lock nut 1/4" n.c.	Écrou a garniture de nylon 1/4" n.c.	1	O/L	

O/L= Obtain locally / Obtenir localement

PARTS BREAKDOWN / NOMENCLATURE DES PIÈCES SUBFRAME ASSEMBLY/ SOUS-CHÂSSIS ASSEMBLÉ

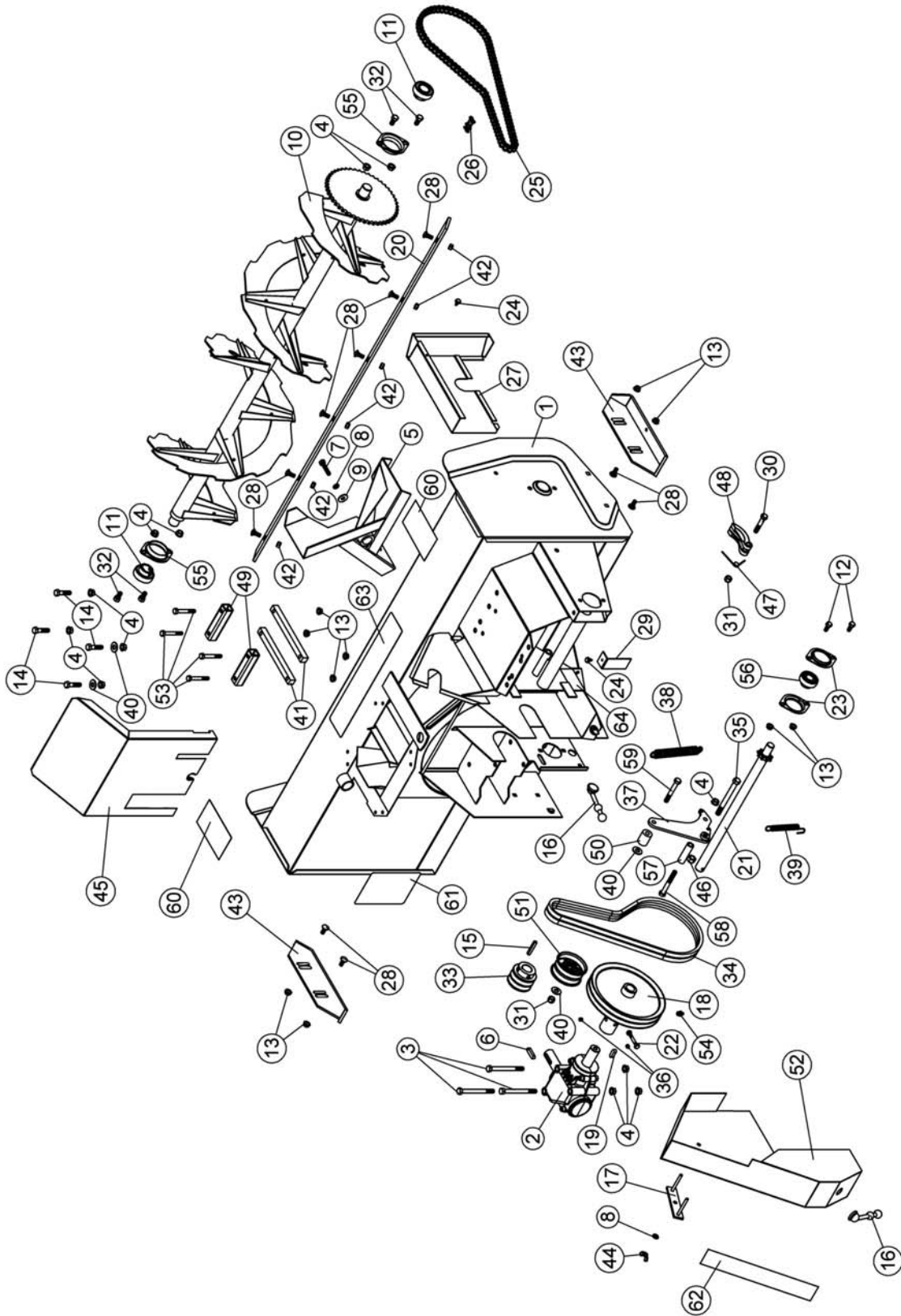


PARTS LIST / LISTE DES PIÈCES

Ref. Réf.	English description	Description française	Qty. Qté.	Part # Pièce #	Kimpex #
1	Pivot support	Support de pivot	1	102888	088864
2	Attaching flat bar	Fer plat d'attache	2	102340	088845
3	Hex bolt 7/16" n.c. x 1 1/4"	Boulon hex. 7/16" n.c. x 1 1/4"	8	O/L	
4	Lock washer 7/16"	Rondelle de blocage 7/16"	12	O/L	
5	Hex nut 7/16" n.c.	Écrou hex. 7/16" n.c.	4	O/L	
6	Flat washer 1/2" hole	Rondelle plate 1/2" trou	1	O/L	
7	Hex bolt 1/2" n.c. x 1 1/2"	Boulon hex. 1/2" n.c. x 1 1/2"	2	O/L	
8	Sleeve	Douille	2	102308	088897
9	Flat washer 9/16" hole	Rondelle plate 9/16" trou	2	O/L	
10	Lock washer 1/2"	Rondelle de blocage 1/2"	2	O/L	
11	Hex nut 1/2" n.c.	Écrou hex. 1/2" n.c.	2	O/L	
12	Caster wheel assembly	Roue pivotante assemblée	2	102341	088404
13	Subframe	Sous-châssis	1	103812	088932
14	Shackle Ptd Z	Clevis Pqé Z	2	102343	088865
15	Nylon insert lock nut 3/8" n.c.	Écrou à garniture de nylon 3/8" n.c.	12	O/L	
16	Hex bolt 5/16" n.c. x 2"	Boulon hex. 5/16" n.c. x 2"	2	O/L	
17	Nylon insert lock nut 5/16" n.c.	Écrou à garniture de nylon 5/16" n.c.	2	O/L	
18	Flat washer 5/16" hole	Rondelle plate 5/16" trou	2	O/L	
19	Spring	Ressort	2	102892	088863
20	Handle lock	Poignée de barrure	2	102891	088867
21	Flange nut 3/8" n.c.	Écrou à bride 3/8" n.c.	8	O/L	
22	Hex bolt 3/8" n.c. x 1"	Boulon hex. 3/8" n.c. x 1"	4	O/L	
23	Hex bolt 3/8" n.c. x 3/4"	Boulon hex. 3/8" n.c. x 3/4"	14	O/L	
24	Hex bolt 7/16" n.c. x 1"	Boulon hex. 7/16" n.c. x 1"	4	O/L	
25	Wheel support	Support de roue	1	102889	088935
26	Chain Ptd Z	Chaîne Pqé Z	2	102544	088862
27	Subframe extension	Extension du sous-châssis	1	103810	088893
28	Flat washer 7/16" hole	Rondelle plate 7/16" trou	4	O/L	
29	Nylon insert lock nut 7/16" n.c.	Écrou à garniture de nylon 7/16" n.c.	8	O/L	
30	Axle bolt & nut	Boulon essieu & écrou	1	102685	088412
31	Bearing	Roulement à billes	2	102688	088818
32	Inner tube 250-4	Chambre à air 250-4	1	102675	102675
33	Tire 280/250-4	Pneu 280/250-4	1	102674	102674
34	Fork assembly	Fourche assemblée	1	102686	088815
35	Rim & bearing	Jante & roulement	1	102687	088823
36	Sleeve	Douille	2	103276	
37	Hex. bolt 3/8" n.c. x 1 1/4"	Boulon hex. 3/8" n.c. x 1 1/4"	2	O/L	
38	Chain adaptor	Adaptateur de chaîne	1	103811	

O/L= Obtain locally / Obtenir localement

PARTS BREAKDOWN / NOMENCLATURE DES PIÈCES SNOWBLOWER / SOUFFLEUSE



PARTS LIST / LISTE DES PIÈCES

Ref. Réf.	English description	Description française	Qty. Qté.	Part # Pièce #	Kimpex#
1	Frame 48"	Châssis 48"	1	103339	088861
2	Gear box	Boîte d'engrenage	1	102029	088874
3	Hex. bolt 3/8" n.c. x 4"	Boulon hex. 3/8" n.c. x 4"	3	O/L	
4	Flange nut 3/8" n.c.	Écrou à bride 3/8" n.c.	12	O/L	
5	Fan	Éventail	1	102001	088875
6	Key 8 x 7 x 3 5 mm	Clé 8 x 7 x 35 mm	1	102035	088837
7	Hex. bolt 8 mm x 1.25 x 25 mm	Boulon hex. 8 mm x 1.25 x 25 mm	1	O/L	
8	Lock washer 5/16"	Rondelle de blocage 5/16"	2	O/L	
9	Flat washer 3/8" hole	Rondelle plate 3/8" trou	1	O/L	
10	Auger 48"	Vis 48"	1	103200	088442
11	Bearing with set screw	Roulement à billes avec vis à pression	2	102755	088909
12	Hex. bolt 5/16" n.c. x 3/4"	Boulon hex. 5/16" n.c. x 3/4"	2	O/L	
13	Flange nut 5/16" n.c.	Écrou à bride 5/16" n.c.	10	O/L	
14	Hex. bolt 3/8" n.c. x 1 1/2"	Boulon hex. 3/8" n.c. 1 1/2"	4	O/L	
15	Key 1/4 x 1/4 x 1 3/4	Clé 1/4 x 1/4 x 1 3/4	1	102327	088891
16	Rubber Latch	Attache en caoutchouc	2	102547	088873
17	Belt guide stopper	Guide de freinage de courroie	1	102328	088868
18	Double pulley	Poulie double	1	103313	088826
19	Key 8 x 7 x 25 mm	Clé 8 x 7 x 25 mm	1	102030	088836
20	Cutting edge 48"	Racloir 48"	1	103187	088448
21	Drive shaft 48"	Arbre de commande 48"	1	103335	088827
22	Shear bolt / N.I.L.N.T. (auger) pkg.-10	Boulon de séc. / É.G.N.M. (vis) pqt.-10	1	103088	088828
23	Flangette	Flangette	2	102212	088917
24	Tapping screw 1/4" n.c. x 1/2"	Vis taraudeuse 1/4" n.c. x 1/2"	2	O/L	
25	Chain roller #40 x 92 links / connecting link	Chaîne #40 x 92 mailles/avec maille d'acc.	1	102022	088434
26	Connecting link #40	Maille d'accouplement #40	1	102040	088435
27	Chain guard	Garde-chaîne	1	102698	088813
28	Carriage bolt 5/16" n.c. x 3/4"	Boulon à carrosserie 5/16" n.c. x 3/4"	10	O/L	
29	Chain guard	Garde-chaîne	1	102041	281851
30	Hex. bolt 3/8" n.c. x 2"	Boulon hex. 3/8" n.c. x 2"	1	O/L	
31	Nylon insert lock nut 3/8" n.c.	Écrou à garniture de nylon 3/8" n.c.	2	O/L	

O/L= Obtain locally / Obtenir localement

PARTS LIST / LISTE DES PIÈCES

Ref. Réf.	English description	Description française	Qty. Qté.	Part # Pièce #	Kimpex #
32	Hex. bolt 3/8" n.c. x 3/4"	Boulon hex. 3/8" n.c. x 3/4"	4	O/L	
33	Pulley 2.5 ø with set screw	Poulie 2.5 ø a/vis à pression	1	102330	088812
34	Pair of V-Belts, Raw Edge	Paire de courroies en V, Raw Edge	1	103745	
35	Hex. bolt 7/16" n.c. x 4 1/2"	Boulon hex. 7/16" n.c. x 4 1/2"	1	O/L	
36	Hex. socket set screw 5/16" n.c. x 5/16"	Vis à pression hex. 5/16" n.c. x 5/16"	2	O/L	
37	Idler arm	Bras de poulie	1	103334	088830
38	Spring	Ressort	1	102592	088814
39	Spring 1/2"	Ressort 1/2"	1	102003	088816
40	Flat washer 7/16" hole	Rondelle plate 7/16" trou	4	O/L	
41	Shim	Cale	2	102886	
42	Stover lock nut 5/16" n.c.	Écrou de blocage 5/16" n.c.	6	O/L	
43	Heavy duty skid shoe	Patin extra robuste	2	102591	088806
44	Wing nut 5/16" n.c.	Écrou oreilles 5/16" n.c.	1	O/L	
45	Belt guard	Garde-courroie	1	102556	088859
46	Nylon Insert Lock nut 7/16" n.c.	Écrou à garniture de nylon 7/16" n.c.	1	O/L	
47	Spring	Ressort	1	103291	088841
48	Tensioner	Tensionneur	1	103289	088842
49	Shim	Cale	2	102485	
50	Sleeve	Douille	1	103338	088833
51	Idler pulley	Poulie tendeur	1	102548	088904
52	Belt guard	Garde-courroie	1	102551	088825
53	Hex. bolt 5/16" n.c. x 2 1/4"	Boulon hex. 5/16" n.c. x 2 1/4"	4	O/L	
54	Grease fitting 1/8"	Graisser 1/8"	1	O/L	
55	Flangette	Flangette	2	102680	088916
56	Bearing with set screw	Roulement à billes avec vis à pression	1	102864	088928
57	Sleeve	Douille	1	103332	088832
58	Hex. bolt 3/8" n.c. x 3"	Boulon hex. 3/8" n.c. x 3"	1	O/L	
59	Hex. bolt 3/8" n.c. x 2 3/4"	Boulon hex. 3/8" n.c. x 2 3/4"	1	O/L	
60	Danger decal	Décalque danger	2	102126	
61	Warning decal	Décalque attention	1	102553	
62	Important decal	Décalque important	1	102671	
63	Kimpex decal	Décalque Kimpex	1	REF	
64	Serial number	Numéro de série	1	REF	

TORQUE SPECIFICATION TABLE

GENERAL TORQUE SPECIFICATION TABLE USE THE FOLLOWING TORQUES WHEN SPECIAL TORQUES ARE NOT GIVEN

NOTE: These values apply to fasteners as received from supplier, dry or when lubricated with normal oil. They do not apply if special graphited or moly disulphide greases or other extreme pressure lubricants are used. This applies to both UNF and UNC threads.

SEE Grade No.		2				5				8 *			
BOLT HEAD IDENTIFICATION MARKS AS PER GRADE NOTE MANUFACTURING MARKS WILL VARY		TORQUE				TORQUE				TORQUE			
BOLT SIZE		POUNDS FEET		NEWTON-METERS		POUNDS FEET		NEWTON-METERS		POUNDS FEET		NEWTON-METERS	
Inches	Millimetre	Min.	Max.	Min.	Max.	Min.	Max.	Min.	Max.	Min.	Max.	Min.	Max.
1/4"	6.35	5	6	6.8	8.13	9	11	12.2	14.9	12	15	16.3	30.3
5/16"	7.94	10	12	13.6	16.3	17	20.5	23.1	27.8	24	29	32.5	39.3
3/8"	9.53	20	23	27.1	31.2	35	42	47.5	57	45	54	61	73.2
7/16"	11.11	30	35	40.7	47.4	54	64	73.2	86.8	70	84	94.9	113.9
1/2"	12.7	45	52	61	70.5	80	96	108.5	130.2	110	132	149.2	179
9/16"	14.29	65	75	88.1	101.6	110	132	149.2	179	160	192	217	260.4
5/8"	15.88	95	105	128.7	142.3	150	180	203.4	244.1	220	264	298.3	358
3/4"	19.05	150	185	203.3	250.7	270	324	366.1	439.3	380	456	515.3	618.3
7/8"	22.23	160	200	216.8	271	400	480	542.4	650.9	600	720	813.6	976.3
1"	25.4	250	300	338.8	406.5	580	696	786.5	943.8	900	1080	1220.4	1464.5

*Thick nuts must be used with grade 8 bolts

METRIC BOLT TORQUE SPECIFICATIONS							
Size Screw	Grade No.	Pitch (mm)	COARSE THREAD		FINE THREAD		
			Pounds Feet	Newton-Meters	Pitch (mm)	Pounds Feet	Newton-Meters
M6	4T	1.00	3.6 - 5.8	4.9 - 7.9	-	-	-
	7T		5.8 - 9.4	7.9 - 12.7		-	-
	8T		7.2 - 10	9.8 - 13.6		-	-
M8	4T	1.25	7.2 - 14	9.8 - 19	1.00	12 - 17	16.3 - 23
	7T		17 - 22	23 - 29.8		19 - 27	25.7 - 36.6
	8T		20 - 26	27.1 - 35.2		22 - 31	29.8 - 42
M10	4T	1.50	20 - 25	27.1 - 33.9	1.25	20 - 29	27.1 - 39.3
	7T		34 - 40	46.1 - 54.2		35 - 47	47.4 - 63.7
	8T		38 - 46	51.5 - 62.3		40 - 52	54.2 - 70.5
M12	4T	1.75	28 - 34	37.9 - 46.1	1.25	31 - 41	42 - 55.6
	7T		51 - 59	69.1 - 79.9		56 - 68	75.9 - 92.1
	8T		57 - 66	77.2 - 89.4		62 - 75	84 - 101.6
M14	4T	2.00	49 - 56	66.4 - 75.9	1.50	52 - 64	70.5 - 86.7
	7T		81 - 93	109.8 - 126		90 - 106	122 - 143.6
	8T		96 - 109	130.1 - 147.7		107 - 124	145 - 168
M16	4T	2.00	67 - 77	90.8 - 104.3	1.50	69 - 83	93.5 - 112.5
	7T		116 - 130	157.2 - 176.2		120 - 138	162.6 - 187
	8T		129 - 145	174.8 - 196.5		140 - 158	189.7 - 214.1
M18	4T	2.00	88 - 100	119.2 - 136	1.50	100 - 117	136 - 158.5
	7T		150 - 168	203.3 - 227.6		177 - 199	239.8 - 269.6
	8T		175 - 194	237.1 - 262.9		202 - 231	273.7 - 313
M20	4T	2.50	108 - 130	146.3 - 176.2	1.50	132 - 150	178.9 - 203.3
	7T		186 - 205	252 - 277.8		206 - 242	279.1 - 327.9
	8T		213 - 249	288.6 - 337.4		246 - 289	333.3 - 391.6

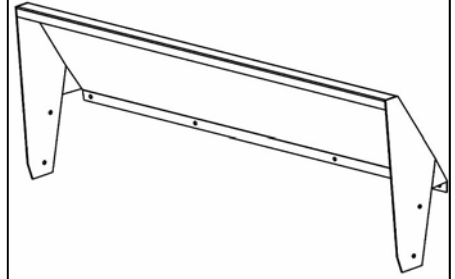
OPTIONS & ACCESSORIES



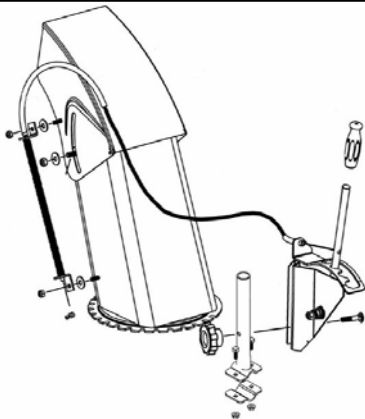
**(058275) #700269
LIFT CONNECTION KIT (A.T.V.)**
Doubles the winch's lift and brake capacity.



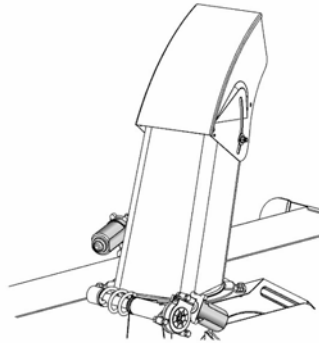
**(058274) #700261
SNOW DRIFT CUTTER**
Slices through high snow drifts to facilitate and increase snow intake.
Package of 2.



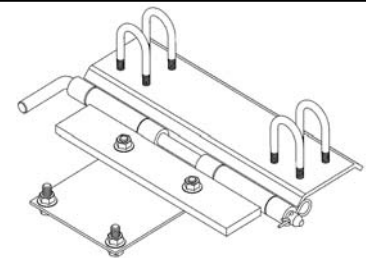
**(088936) #700301
DRIFT EXTENSION KIT FOR 48"**
Increase snow intake.
Prevents snow from getting in the engine.



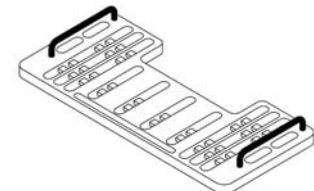
**058261) #700248-0
DEFLECTOR ADJUSTMENT KIT**
Adjusts the deflector from the driver's seat.



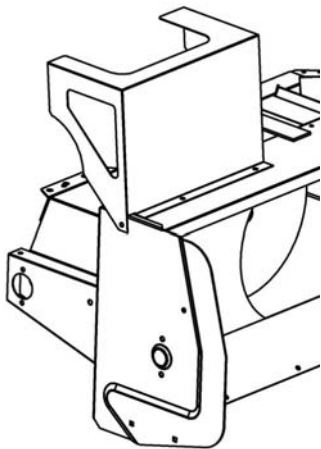
**(058270) #700308-2
ELECTRIC CHUTE & DEFLECTOR KIT**
Allows to turn chute and adjust deflector electrically from driver's seat.



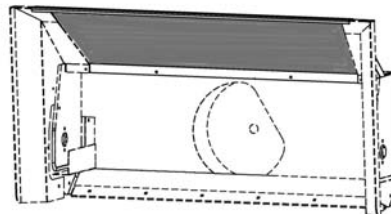
**(058284) #700276
UNIVERSAL MOUNTING KIT (A.T.V.)**
To install snowblowers on A.T.V.'s not specified in mounting bracket chart.



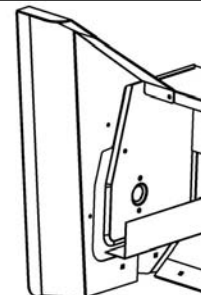
**(058281) #700270
CONTROL SUPPORT (A.T.V.)**
For <Polaris> A.T.V.s



**(088954) #700392
ENGINE PROTECTOR**
Prevents snow from getting in the engine.



**(088953) #700388
HEIGHT EXTENSION FOR WIDENING ANGLE KIT**
Increases the height of snowblower and protects engine.



**(088952) #700389
SIDE WIDENING ANGLE KIT**
Widens the snowblower to 54"
Package of 2.

DÉPANNAGE

PROBLÈME	CAUSE POSSIBLE	CORRECTION
La rotation de la goulotte se fait difficilement.	Des saletés ou de la glace peuvent s'être accumulées sous la goulotte.	Nettoyez la base de la goulotte et le anneau de rotation. Lubrifiez la goulotte par l'intérieur et l'extérieur ainsi que la vis de rotation.
La goulotte se bloque facilement.	Le moteur de la souffluse tourne trop lentement.	Toujours faire tourner le moteur à plein régime pendant le soufflage.
La souffluse s'enfonce dans le sol.	Vous avancez trop vite avec le V.T.T. Réduire la vitesse d'avancement. Laissez la souffluse broyer & aspirer la neige par elle-même.	Ajustez les patins plus bas afin qu'ils supportent mieux la souffluse.
La souffluse ne lève pas de façon égale.	Pneus plus gonflés d'un côté que de l'autre.	Vérifiez et ajustez la pression des pneus à 50 po ² .
La souffluse n'est pas bien balancée.	Si la souffluse ne lève pas de façon égale, suivre ces instructions: Desserrer les huit boulons qui tiennent le châssis de poussée. Lever la souffluse, du côté du moteur et glisser un morceau de bois de 1/2" (approx) d'épaisseur en dessous. Serrer très fermement les huit boulons (calibrer à 65 lb/pi). La souffluse devrait lever également. Sinon, répéter la procédure avec une pièce de bois plus ou moins épaisse selon le poids du moteur.	

REMPACEMENT DES COURROIS & AJUSTEMENTS

REMPACEMENT DES COURROIES:

Pour les numéros de pièces des courroies, référez-vous à la section anglaise, nomenclature des pièces pour identification.

- Enlever le guide de freinage des courroies.
- Enlever le garde-courroie.
- Enlever le boulon de sécurité de la vis.
- Enlever le garde-chaîne.
- Détacher la chaîne en retirant la maille de raccordement et retirer la chaîne.
- Enlever l'arbre de commande.
- Enlever les vieilles courroies et installer les neuves.
- Réinstaller le boulon de sécurité de la vis.
- Réinstaller l'arbre de commande et fixer en place les pièces soient à la bonne place.

IMPORTANT: Installer l'arbre de commande et le boulon de sécurité en premier, pour assurer que les pièces soient à la bonne place.

- Réinstaller la chaîne avec la maille de raccordement.
- Réinstaller le garde-chaîne.
- Vérifier que la tension sur les courroies soit toujours ajustée au maximum. Voir les instructions la section suivante.
- Après avoir installé les courroies vous pouvez faire tourner le moteur sans le garde-courroie, mais seulement le temps nécessaire d'effectuer la vérification de l'alignement des courroies. Ne laissez pas la souffeuse sans surveillance. Ni vous, ni personne ne doit s'approcher des pièces mobiles. Embrayer et débrayer la souffeuse pour vérifier si les courroies sont bien alignées, spécialement sur la poulie tendeur. Si cela est nécessaire, vous pouvez ajouter or enlever une rondelle plate pour l'ajustement final.

- Réinstaller le garde-courroie et le guide de freinage des courroies.

Important: Assurez-vous que le bras embrayage est embrayé avant d'installer le guide de freinage des courroies, les courroies doivent être à l'intérieur des tiges de guide de freinage (item 4) sinon les courroies seront détruites.

PRÉCAUTIONS

Ne jamais utiliser la souffeuse sans le garde courroies.

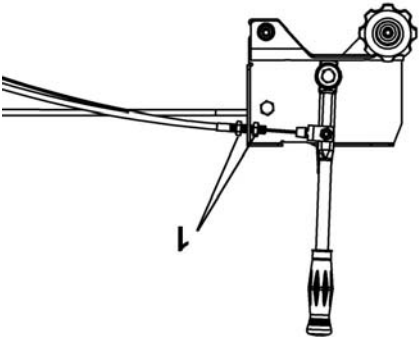
AJUSTEMENT DE LA TENSION SUR LE

CÂBLE

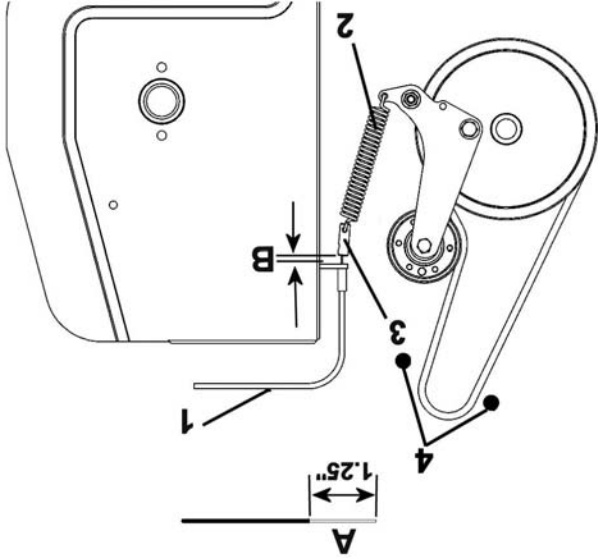
IMPORTANT:

Remarque: Remarque lorsque vous embrayez la souffeuse en tirant sur le bras d'embrayage; lors des derniers pouces de la course, vous discernerez une résistance plus remarquable dû à la tension sur la courroie. Si vous ne sentez pas cette résistance, réajuster le câble. Suivre les instructions plus bas.

Pour ajuster le câble, débrayer le bras d'embrayage. Dévisser les deux écrous (item 1). Ajuster pour obtenir la bonne tension. La distance (item B) entre le support de câble et l'embout du câble devrait être 1/4" (.250") à 5/16" (.312") lorsque dans la position embrayée



Ajuster le câble



Ajuster le câble

ENTRETIEN

MAINTENANCE DU RACLOIR

Vérifier de temps en temps l'usure du racloir pour vous assurer de ne pas user la base du châssis de la souffleuse. Ce racloir est réversible. Tout ce que vous avez à faire est de dévisser les boulons et tourner le racloir de l'autre côté. Réinstaller et serrer fermement les boulons.

REMPLACEMENT DU BOULON DE SÉCURITÉ

*Le boulon de sécurité est une mesure préventive et ne doit pas être considéré comme une protection assurée. La vigilance de l'opérateur est requise. Faites une inspection complète de l'endroit où la souffleuse sera utilisée et enlevez tout objet étranger.

Remplacement du boulon de sécurité de la vis:
La vis est protégée par un boulon de sécurité à deux rainures. Si vous trappez un objet étranger ou de la glace, le boulon a été conçu de sorte qu'il se coupe en absorbant l'impact. La vis arrêtera de tourner. Ceci est pour prévenir des dommages à la vis ou à la souffleuse. Remplacez par une pièce d'origine seulement (pour l'identification, voir nomenclature des pièces, section anglaise sous « Souffleuse »).
L'utilisation de tout autre boulon n'assure aucune protection et peut entraîner l'annulation de la garantie.

ENTREPOSAGE

- a) Nettoyer votre souffleuse et sous-châssis et peindre toutes les pièces où la peinture est usée.
- b) Noter les pièces qui devront être remplacées pour la prochaine saison.
- c) Suivre les instructions dans la section lubrification.
- d) En ce qui concerne le moteur pour la souffleuse, suivre les instructions dans le manuel du propriétaire du moteur.
- e) Entreposer la souffleuse et le sous-châssis dans un endroit sec.

ENTRETIEN

POUR PRÉVENIR DES BLESSURES:
Arrêtez le moteur de la souffleuse.
Appliquez le frein de stationnement.
Enlevez la clé du contact.
Débranchez le fil de la ou des bougie(s) et gardez-le éloigné de la ou des bougie(s) pour prévenir un démarrage accidentel.



ATTENTION



- a) Vérifiez les boulons de montage fréquemment afin de prévenir une réparation coûteuse. Assurez-vous que votre équipement est en condition de travailler sécuritairement.
- b) Pourvoir un blocage adéquat avant de travailler en dessous de la souffleuse lorsqu'elle est en position relevée.

AJUSTEMENTS

AJUSTEMENT DES PATINS:
Surface pavée: Ajuster les patins pour obtenir de 3/16" à 1/4" de dégagement (A) entre le racloir et la surface.
Surface inégale ou de gravier: Ajuster les patins pour obtenir de 1/2" à 5/8" de dégagement (A) entre le racloir et la surface.

LUBRIFICATION

Graisser l'essieu des roues, les fourches pivotantes et le moyeu sur la pouille double après chaque 4 heures d'utilisation.
Huiler tous les points pivotants.
Chaînes d'entraînement: Huiler avec du lubrifiant à chaîne pour tronçonneuse à toutes les quatre heures d'utilisation et à la fin de chaque utilisation.
Système de rotation de la goulotte: Huiler la base de la goulotte et la spirale de rotation à tous les huit heures d'utilisation.

OPÉRATION

OPÉRATION DE LA SOUFFLEUSE

- Assurez-vous que la souffeuse est libre de neige avant de démarrer le moteur.
 - Assurez-vous que la vis et l'éventail tournent librement.
 - Démarrez le moteur de la souffeuse.
 - Avant d'embrayer la souffeuse, le moteur doit toujours tourner à révolution moyenne.
 - Opérez la souffeuse à la révolution maximum.
- IMPORTANT: UTILISEZ LA VITESSE DE RÉVOLUTION MAXIMUM DU MOTEUR LORS DE L'ENLÈVEMENT DE NEIGE MOUILLÉE ET COLLANTE. UNE VITESSE DE RÉVOLUTION TROP BASSE AURA TENDANCE À FAIRE OBSTRUER LA GOULOTTE.**

CONTRÔLES

ROTATION DE LA GOULOTTE

La manivelle de rotation de la goulotte est située à la gauche du guidon de conduite. En tournant la manivelle dans le sens horaire, la goulotte tourne dans le sens horaire (direction des aiguilles d'une montre) ou vice versa.

DÉFLECTEUR DE LA GOULOTTE

Régler l'angle du déflecteur selon la distance à laquelle la neige doit être projetée et pour prévenir des dommages à la propriété. Pour changer l'angle du déflecteur, desserrer les deux boutons du déflecteur, ajuster le déflecteur à l'angle approprié et resserrer les deux boutons fermement.

LEVER OU ABAISSER LA SOUFFLEUSE:

Utiliser le bouton de contrôle du treuil pour lever ou abaisser la souffeuse.

EMBRAYAGE ET DÉBRAYAGE DE LA SOUFFLEUSE:

Embrayez la souffeuse lorsque le moteur tourne au régime médium. Pour embrayer, tirer le levier d'embrayage vers l'arrière et pour débrayer, pousser le levier vers l'avant.

ENLÈVEMENT DE LA NEIGE

Lors de l'enlèvement de la neige, n'utilisez pas la souffeuse comme une lame pour pousser la neige. Laissez la souffeuse avancer par elle-même dans les gros amoncellements de neige. Si la vitesse du V.T.T. est trop grande, la souffeuse peut devenir surchargée et se boucher. Pour de meilleurs résultats, levez la souffeuse et enlevez la couche de neige supérieure. Une seconde passe avec la souffeuse enlèvera le reste de la neige.



ATTENTION

PRÉVENIR DES BLESSURES ET POUR PLUS DE TRACTION EN UTILISANT LA SOUFFLEUSE SUR UN V.T.T.:

- Ne pas conduire plus vite que 3 km/hre. avec la souffeuse abaissée au sol.
- Ne pas conduire plus vite que 10 km/hre. avec la souffeuse en position relevée.
- Ne pas opérer dans une pente de plus de 10%.
- Chaînes à pneu approuvées par le manufacturier sont requis.



ATTENTION

-N'essayez pas de dégager l'éventail, la vis ou la goulotte bouchée de neige lorsque le moteur de la souffeuse est en marche.

-Débrayez la souffeuse.

-Abaissez la souffeuse au sol.

-Appliquez le frein de stationnement.

-Arrêtez le moteur, enlevez la clé du contact, débranchez le fil de la ou les bougie(s) et gardez-le éloigné de la ou des bougie(s) pour prévenir un démarrage accidentel.

-Assurez-vous que toutes les pièces mobiles sont arrêtées.

-N'utilisez pas vos mains, utilisez un morceau de bois de 3/4" (924 mm) de longueur minimum.



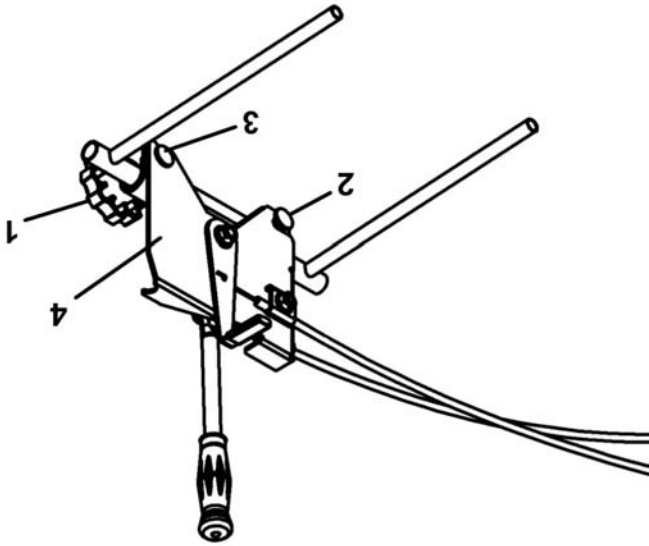
ATTENTION

Lisez le manuel de l'opérateur du V.T.T. attentivement. Familiarisez-vous avec les contrôles et la façon de bien utiliser l'accessoire. Sachez comment arrêter la souffeuse et dégager les contrôles rapidement.

ASSEMBLAGE

Installer le support d'embrayage (item 4) en dévissant le bouton (item 1) et en glissant la rainure avant entre le bouton (item 2) et la fixation. Glisser la rainure arrière entre la tête du bouton (item 3) et la fixation.

Fixer en serrant le bouton (item 1).
Serrer tous les boulons fermement.

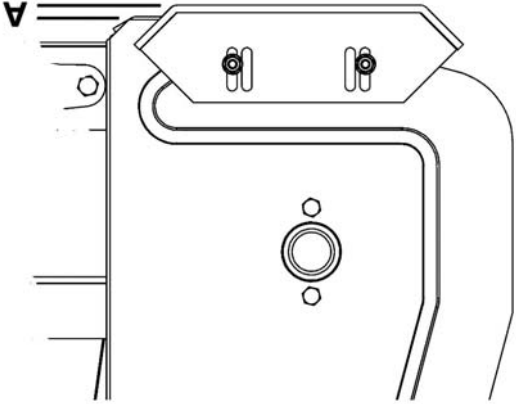


Installer le support d'embrayage

VÉRIFIER L'AJUSTEMENT DES PATINS:

SURFACE PAVÉE: Ajuster les patins pour obtenir de 3/16" à 1/4" de dégagement (A) entre le racloir et la surface.

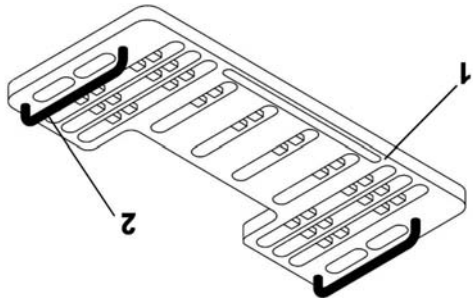
SURFACE INÉGALE OU DE GRAVIER: Ajuster les patins pour obtenir de 1/2" à 5/8" de dégagement (A) entre le racloir et la surface.



Ajuster les patins

ASSEMBLAGE

NOTE: Pour installer l'embrayage et le support de manivelle sur un V.T.T. muni du porte-bagages en plastique (item 1), vous devez acheter un ensemble en option "Support de contrôles" (item 2).



Installer le support de contrôle

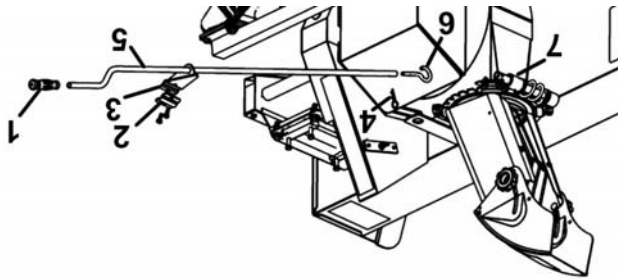
Installer le support de manivelle (item 3) avec la fixation du support (item 2) en utilisant les boulons de 1/4 x 3/4" et écrous sur le porte-bagages du côté gauche. Choisir l'endroit idéal et assurez-vous que la poignée soit facile d'accès et n'interfère pas avec le guidon de direction.

Installer la poignée de plastique 1/2 x 3" (item 1) sur la manivelle (item 5).

Insérer la manivelle dans le trou du support de manivelle (item 3).

Installer le crochet (item 6) sur la spirale de rotation (item 7).

Insérer le crochet dans la manivelle et bloquer en place avec une goupille à ressort de 2,5 mm (item 4).



Installer la manivelle

Installer la fixation d'embrayage (item 1) sur le porte-bagages avant du côté droit du V.T.T.

Identifier le meilleur endroit pour que le conducteur ait facilement accès aux contrôles.

Enrouler la pièce de caoutchouc (item 2) sur le tube.

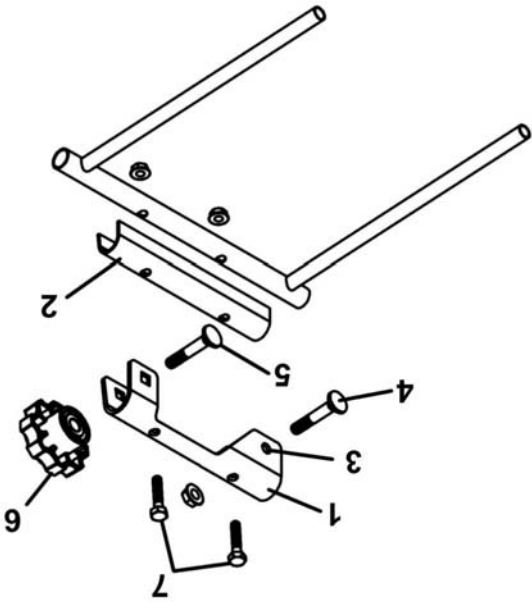
Installer la fixation d'embrayage (item 1) sur le tube par dessus le caoutchouc avec le trou rond (item 3) vers l'avant.

Sécuriser avec un boulon à machine de 5/16 x 1 3/4" (item 4) dans le trou avant. Fixer avec un écrou 3/4" (item 4) dans le trou avant. La distance entre la tête du boulon et la fixation est prévue pour recevoir le support d'embrayage. Installer dans le trou carré arrière, un boulon à machine 5/16 x 1 3/4" (item 5). Sécuriser avec le bouton (item 6). La fixation d'embrayage doit être parfaitement à 90° avec le sol.

Se servant de la fixation comme gabarit, percer le tube et fixer avec deux boulons de 1/4 x 1 1/4" (item 7) et écrous.

Serrer fermement.

Installer la fixation d'embrayage



ASSEMBLAGE

RELEVAGE DE LA SOUFFLEUSE AVEC LE TREUIL DU V.T.T. :

NOTE: L'option #700269 "Nécessaire d'attache pour relevage" (items 1 & 2) doit être utilisé. Ce nécessaire doublera la capacité de relevage et de freinage du treuil et réduit la vitesse de relevage de 50%. Ceci évitera les dommages au moteur de la souffeuse.

Accrocher la moufle (item 2) à la barre plate soudée sur le dessus de la souffeuse (item 3).

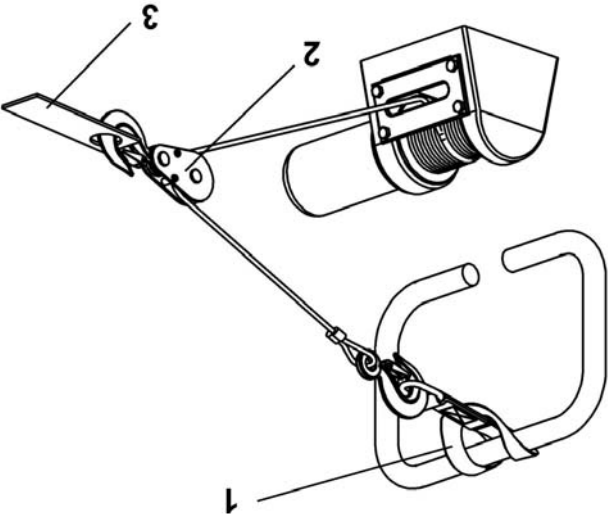
Enlever la poulie de la moufle pour passer le câble du treuil. Utiliser la sangle (item 1) fournie dans l'ensemble pour attacher le câble du treuil au châssis du V.T.T.

Si le treuil est plus bas que la moufle sur la souffeuse, fixer le bout du câble dans la position la plus élevée sur le châssis du V.T.T.

Si le treuil est plus haut que la moufle sur la souffeuse, accrocher le câble dans la position la plus basse sur le châssis du V.T.T.

Si la souffeuse ne lève pas également, voir les instructions ci-dessous.

Installer le nécessaire d'attache pour relevage



VÉRIFIER SI LA SOUFFLEUSE LÈVE DE FAÇON ÉGALE :

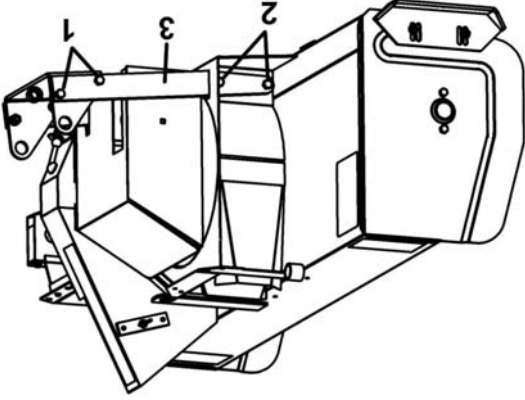
Si la souffeuse ne lève pas de façon égale, suivre ces instructions :

Desserrer les huit boulons (items 1 & 2, quatre de chaque côté) qui tiennent le châssis de poussée (item 3).

Lever la souffeuse, du côté du moteur et glisser un morceau de bois de 1 1/2" (approx.) d'épaisseur en dessous.

Serrer très fermement les huit boulons (calibrer à 65 lb/pi).

La souffeuse devrait lever également. Sinon, répéter la procédure avec une pièce de bois plus ou moins épaisse selon le poids du moteur.



Vérifier le relevage de la souffeuse

ASSEMBLAGE

ÉTAPE 4

INSTALLATION SUR LE V.T.T.:

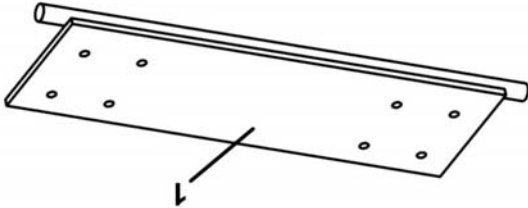
Installer l'attache rapide en option (item 1) sous le châssis du V.T.T. Référez-vous au "Tableau des supports de montage" pour identifier le modèle de support approprié à votre V.T.T.

Suivre les instructions de montage fournies avec le nécessaire du support de montage.

NOTE: Ce nécessaire vient avec tout ce dont vous avez besoin pour installer la lame. Si vous n'utilisez pas la lame, installer seulement l'attache rapide.

NE PAS INSTALLER LES AUTRES ITEMS.

Installer l'attache rapide optionnel



Avancer prudemment avec le V.T.T. par dessus le sous-châssis.

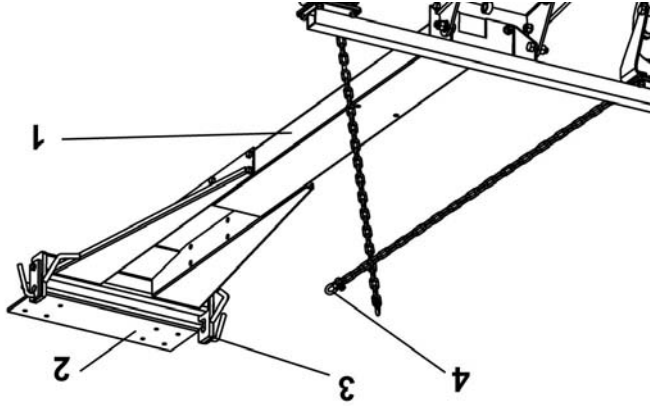
Accrocher le sous-châssis (item 1) à l'attache rapide (item 2) et sécuriser en place avec les poignées de barre (item 3).

Attacher les chaînes avec les clés (item 4) à la suspension du V.T.T. pour empêcher la souffeuse de balancer d'un côté à l'autre.

NOTE: Ne pas installer les chaînes sur le pare-choc avant du V.T.T.

Les chaînes doivent être croisées et tendues, parallèles au sol tel qu'illustré.

Installer le sous-châssis



ASSEMBLAGE

Ne jamais faire tourner le moteur de la souffluse sans que le garde-courroie et le guide de freinage des courroies soient bien en place.



PRÉCAUTIONS

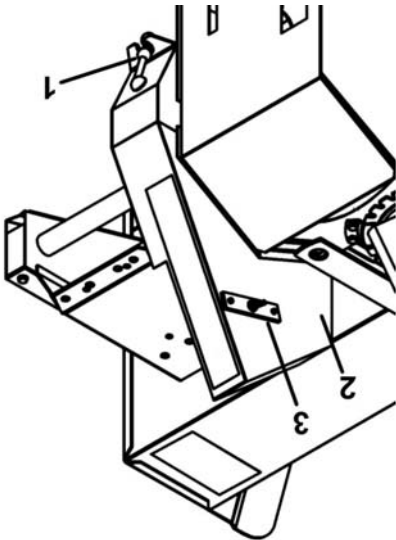


NOTE: Le bras d'embrayage doit être embrayé (tiré vers le conducteur) avant d'installer le guide de freinage, sinon, les courroies seront détruites.

Installer le garde-courroie (item 2) et sécuriser en place avec l'attache de caoutchouc (item 1).

Installer le guide de freinage des courroies (item 3) (les courroies à l'intérieure des tiges) et sécuriser avec une rondelle de blocage et écrou à oreilles.

Débrayer l'embrayage.



Installer le garde-courroie et le guide de freinage

Installer le câble d'accélérateur (item 1) au levier d'accélération du carburateur du moteur.

Ajuster le levier du carburateur en position centrée, et le levier manuel (item 2) perpendiculaire ou en position centrée.

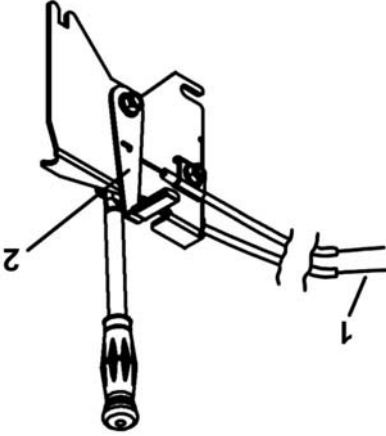


ATTENTION



POUR PRÉVENIR LES BLESSURES:

Démarrer le moteur, embrayer et débrayer l'embrayage pour s'assurer qu'il fonctionne bien. Ceci veut dire que lorsque vous débrayez l'embrayage, la souffluse s'arrête immédiatement.



Installer le câble d'accélération

ASSEMBLAGE

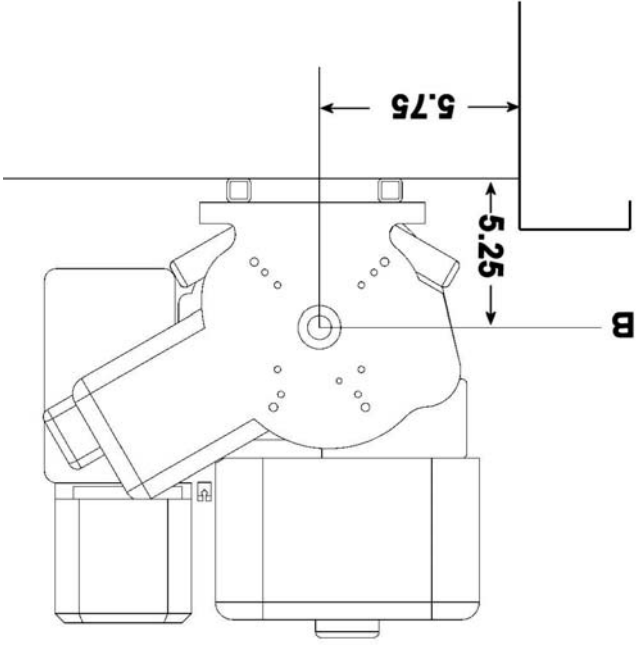
INSTALLATION DE TOUTE AUTRE MARQUE DE MOTEUR :

Placer le moteur sur une table. Mesurer la hauteur (item B) du centre de l'arbre du moteur à la table.

Utiliser une des deux cales (3/4" ou 1") si requis, pour atteindre une hauteur de 5.25". Si vous avez besoin de plus ou moins de hauteur, utiliser des rondelles plates.

Installer le moteur sur la base. Choisir le bon ensemble de trous correspondant avec les trous à la base du moteur.

Le centre de l'arbre du moteur doit être de 5.75" de l'arrière de la souffeuse. Assurez-vous que la base du moteur est parallèle avec le bâti de la souffeuse.



Installer le moteur

ASSEMBLAGE

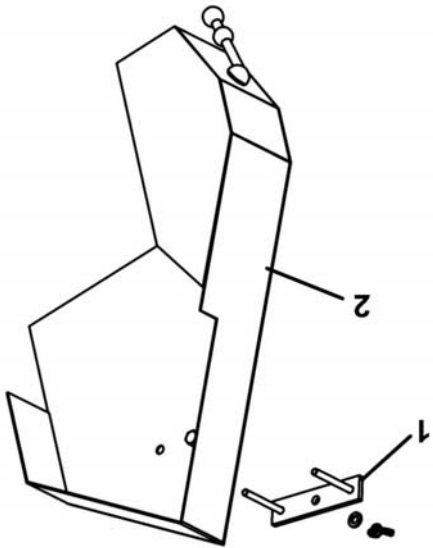
ÉTAPE 3

INSTALLATION DU MOTEUR:

IMPORTANT: Nous recommandons d'utiliser un moteur de 13 C.V. sur cette souffluse à neige.

NE PAS UTILISER UN MOTEUR PLUS GROS QU'UN 13 CV. LES POULIES ET COURROIES ONT ÉTÉ CALIBRÉES POUR UN MOTEUR DE 13 CV PAS PLUS.

Enlever le guide de freinage des courroies (item 1) et le garde-courroie (item 2).



Enlever le garde-courroie

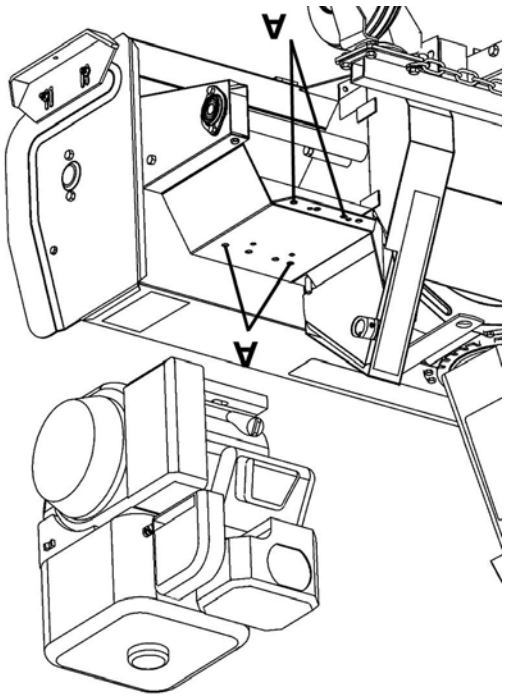
INSTALLATION DU MOTEUR (HONDA, BRIGGS & STRATTON OU TECUMSEH) 13 CV:

Installer le moteur sur la base en utilisant les trous identifiés comme item A.

Sécuriser avec quatre boulons de 3/8 x 1 1/2", deux rondelles plates (sur la rainure) et écrous.

NOTE: Assurez-vous que la base du moteur est parallèle avec le bâti de la souffluse.

Serrer les boulons fermement.



Installer le moteur

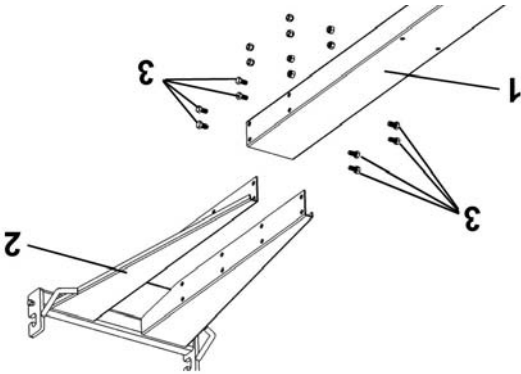
ASSEMBLAGE

Installer l'extension du sous-châssis (item 2) au sous-châssis (item 1) avec huit boulons de 3/8 x 3/4" (item 3) et écrous à garniture de nylon.

Serrer fermement.

NOTE: Cet extension du sous-châssis est ajustable pour permettre l'installation de chenilles sur votre V.T.T. Ajuster à la longueur appropriée de votre V.T.T.

Exemple:
 V.T.T. avec pneus: Ajuster le sous-châssis au plus court.
 V.T.T. avec chenilles: Ajuster le sous-châssis au plus long.



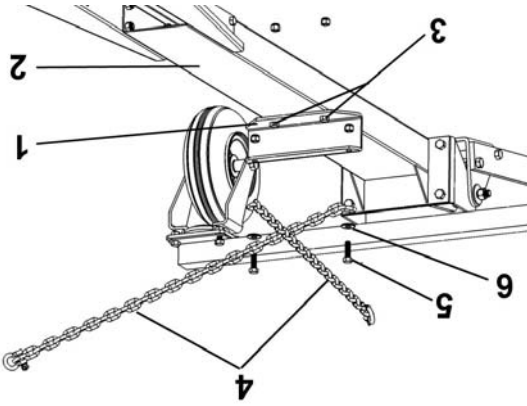
Installer l'extension du sous-châssis

Pour V.T.T. équipé avec des chenilles:

Installer l'adaptateur de chaîne (item 1) sur le sous-châssis (item 2) avec deux boulons hex 3/8 x 1" (item 3). Sécuriser avec deux écrous à garniture de nylon 3/8".

Attacher les chaînes (item 4) sur le dessus de l'adaptateur de chaîne avec deux boulons hex. 3/8 x 1 1/4" (item 5) et deux rondelles plates (item 6) sur la chaîne.

Sécuriser avec deux écrous à garniture de nylon 3/8".



Installer l'adaptateur & les chaînes

ASSEMBLAGE

ÉTAPE 2

PRÉPARATION DU SOUS-CHÂSSIS:

Installer les deux roues pivotantes (item 1) au support de roues (item 2) tel qu'illustré.

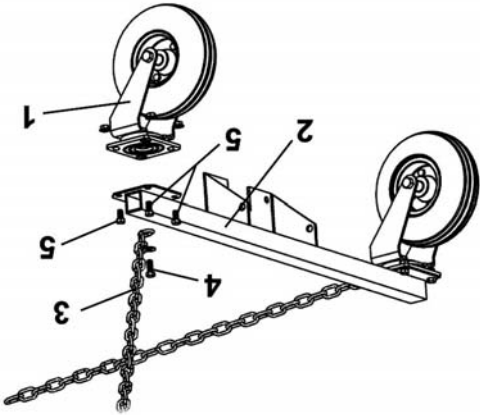
NOTE: Si votre VTT est équipé avec des chenilles, n'installez pas les chaînes maintenant.

Installer deux chaînes de 3/16 x 32" (item 3) sur le dessus de la plaque du support avec un boulon 3/8 x 1" (item 4) et une rondelle plate dans le trou intérieur arrière de la plaque du support.

Installer trois boulons 3/8 x 3/4" (item 5) dans les autres trous et fixer avec les écrous à bride.

Serrer fermement.

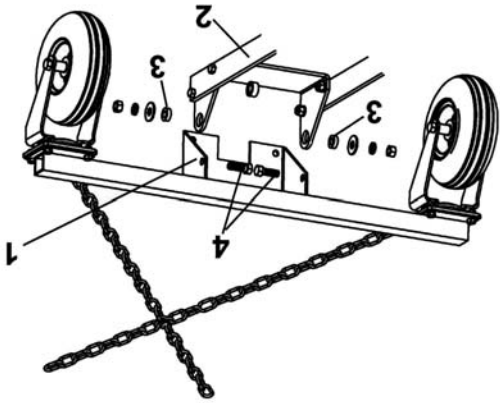
Installer les roues et les chaînes



Installer le support de pivot de la souffluse (item 2) au support de roues (item 1) avec deux douilles de 1" dia. X 0.31" (item 3) et deux boulons de 1/2 x 1 1/2" (item 4), rondelles plates, rondelles de blocage et écrous.

Serrer fermement.

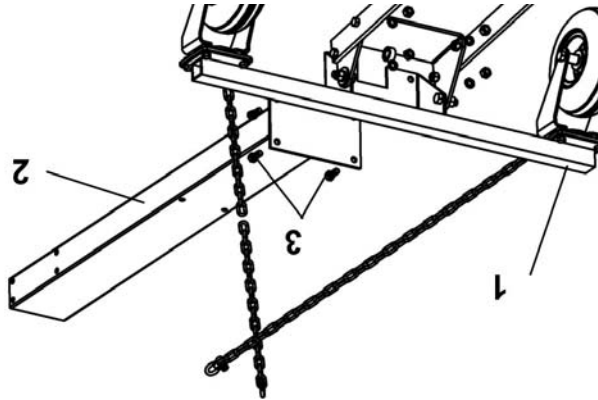
Installer le support de pivot



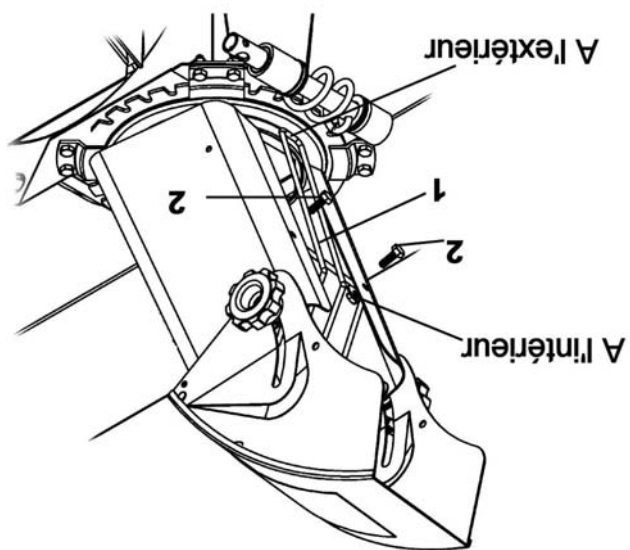
Installer le sous-châssis (item 2) au support de roues (item 1) avec quatre boulons de 7/16 x 1" (item 3), rondelles de blocage et écrous.

Serrer les boulons fermement.

Installer le sous-châssis au support de roues



Installer la fourche protectrice



Serrer les boulons fermement.

Sécuriser en place avec deux boulons 1/4 x 3/4" (item 2), les rondelles plates et écrous à bride à l'intérieur.

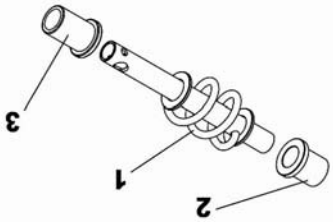
Installer la fourche protectrice (item 1) tel qu'illustré.

ASSEMBLAGE

ASSEMBLAGE

Graisser les deux extrémités de la spirale de rotation (item 1).

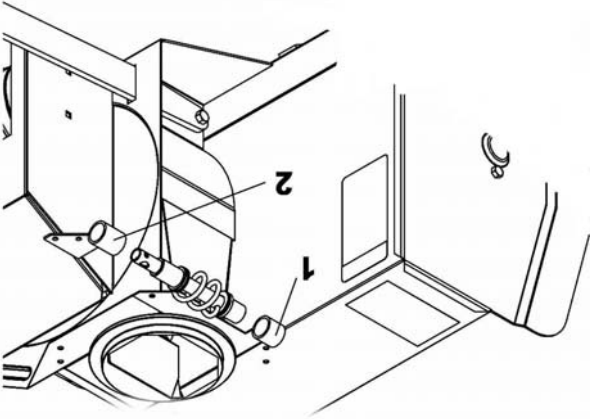
Insérer le coussinet de rotation court (item 2) et le coussinet de rotation long (item 3) tel qu'illustré.



Installer les coussinets sur la spirale de rotation

Insérer la spirale de rotation avec le coussinet court dans la douille (item 1).

Insérer le support de la spirale (item 2) sur le coussinet long tel qu'illustré.



Installer la spirale de rotation

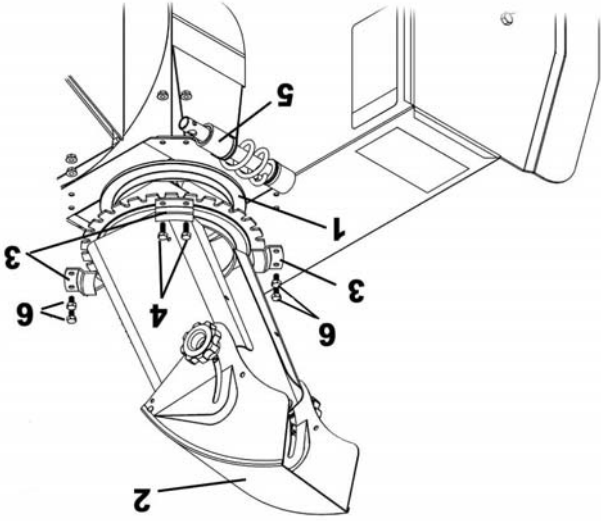
Appliquer de la graisse sur l'anneau de rotation (item 1).

Installer la goulotte (item 2) avec quatre plaques de retenue (item 3) tel qu'illustré.

Au coin arrière gauche, sécuriser la plaque de retenue (item 3) sur le dessus et le support de la spirale (item 5) en dessous avec deux boulons de 1/4 x 3/4" (item 4) et écrous à bride tel qu'illustré.

Sécuriser les trois autres plaques de retenue (item 3) avec six boulons de 1/4 x 1/2" (item 6) et écrous à bride.

Serrer les boulons fermement.



Installer la goulotte

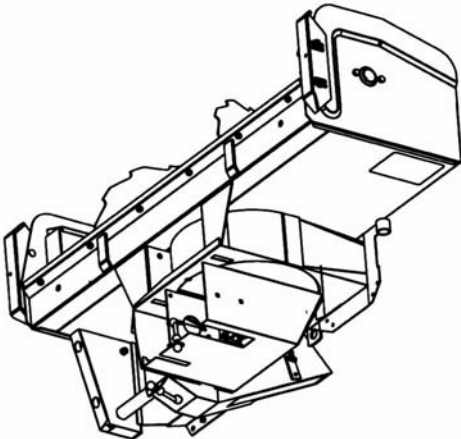
ASSEMBLAGE

IMPORTANT: SERREZ TOUS LES BOULONS SELON LA TABLE DE SPÉCIFICATION DE COUPLE (VOIR SECTION ANGLAISE, TORQUE SPECIFICATION TABLE) LORSQUE SPÉCIFIÉ: SERREZ FERMEMENT. RÉFÉREZ-VOUS À LA SECTION NOMENCLATURE DES PIÈCES POUR IDENTIFICATION DES PIÈCES.

ÉTAPE 1

PRÉPARATION DE LA SOUFFLEUSE:

Placer la souffleuse face contre terre.

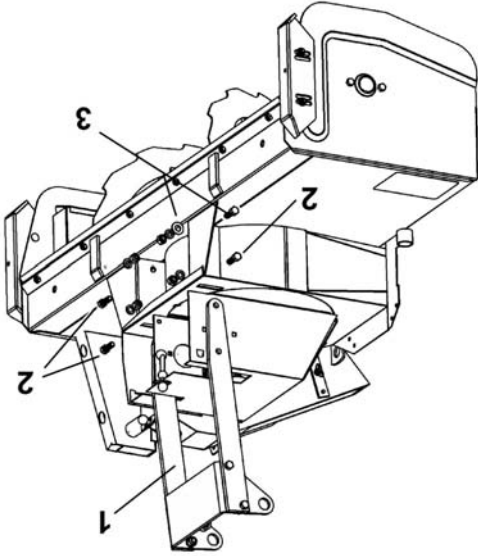


Placer la souffleuse face contre terre

Installer l'attache (item 1) avec trois boulons de 7/16 x 1 1/4" (item 2), rondelles de blocage et écrous de 7/16 x 1 1/4" (item 3), une rondelle plate sur la rainure, rondelle de blocage et écrou de blocage à garniture de nylon tel qu'illustré.

Serrer les boulons fermement.

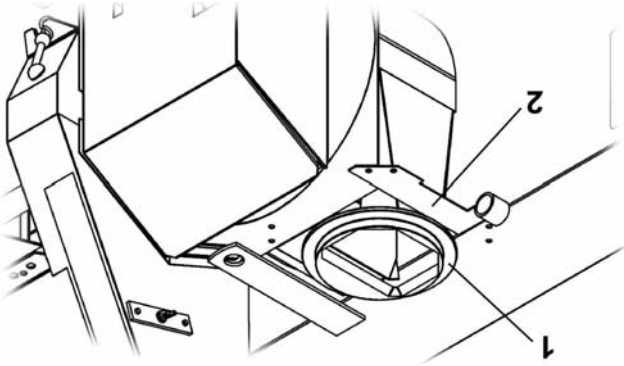
Retourner la souffleuse.



Installer l'attache

Placer l'anneau de rotation (item 1) sur le dessus de la souffleuse (item 2) tel qu'illustré.

Une seule position permet un montage parfait.



Installer l'anneau de rotation

DÉCALQUES DE SÉCURITÉ

REMPLACER LES DÉCALQUES SI ENDOMMAGÉS,
VOIR LA NOMENCLATURE DES PIÈCES POUR L'EMPLACEMENT DES
DÉCALQUES

IMPORTANT

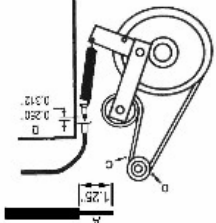
DRIVE & CABLE ADJUSTMENT

- READ & FOLLOW ALL INSTRUCTIONS & SAFETY PRECAUTIONS IN OWNER'S MANUAL.
- INSTALL MOTOR OF 13 HP OR LESS ONLY.
- VERIFY PULLEY ALIGNMENT AND ADJUST IF NECESSARY.
- VERIFY CABLE ADJUSTMENT: THE DISTANCE OF "B" SHOULD BE BETWEEN 0.250" & 0.312" IF NOT ENGED POSITION.

- AFTER INSTALLING MOTOR, VERIFY THAT THE STOPPER PINS ON BELT GUARD "C" & "D" CLEAR THE V-BELT BY 0.125"

NEW CABLE INSTALLATION

- PLACE THE CLUTCH LEVER IN ENGED POSITION, SCREW THE CABLE ADJUSTMENT TO MAXIMUM. PULL THE INTERNAL CABLE "A" OUT & CUT IT 1.25" LONGER THAN THE CABLE SHIELD. INSTALL IN PLACE & VERIFY THE ADJUSTMENT AS PER "B" 0.250" TO 0.312".



ENTRAÎNEMENT & AJUSTEMENT DU CÂBLE

- LIRE LE MANUEL DU PROPRIÉTAIRE & SUIVRE LES INSTRUCTIONS D'OPÉRATION & DE SÉCURITÉ D'UN MOTEUR DE 13HP
- UTILISEZ UN MOTEUR DE 13HP
- VÉRIFIEZ L'ALIGNEMENT DES

- PULLES, AJUSTEZ SI NÉCESSAIRE. VÉRIFIEZ LE CÂBLE, LA DISTANCE DE "B" DEVAIT ÊTRE ENTRE 0.250" & 0.312" EN POSITION ENBRAYÉE. SIMON AJUSTEZ LE CÂBLE POUR OBTENIR CETTE DISTANCE.
- APRÈS L'INSTALLATION DU MOTEUR, VÉRIFIEZ À CE QUE LES TIGES D'ARRÊT À L'INTÉRIEUR DU GARDE-COURROIE TIENT "C" & "D" SOIENT ÉLOIGNÉES DE 0.125" DE LA COURROIE.

INSTALLATION D'UN NOUVEAU CÂBLE

- PLACEZ LE LEVIER D'EMBRAYAGE EN POSITION ENBRAYÉE, VISSÉZ L'AJUSTEMENT DU CÂBLE AU MAXIMUM, TIREZ LE CÂBLE "A" ET COUPEZ 1.25" PLUS LONG QUE L'ENVELOPPE. INSTALLEZ EN PLACE & VÉRIFIEZ À CE QUE L'ITEM "B" SOIT ENTRE 0.25" & 0.312".

102671

Décalque #102671

102126

TO AVOID PERSONAL INJURY:
KEEP HANDS, FEET & CLOTHING AWAY FROM ROTATING AUGER WHILE ENGINE IS RUNNING.

POUR ÉVITER DES BLESSURES GRAVES:
GARDEZ LES MAINS, LES PIEDS ET LES VÊTEMENTS ÉLOIGNÉS DE LA VIS SANS FIN LORSQUE LE MOTEUR EST EN MARCHÉ

DANGER

Décalque #102126

102553

TO AVOID PERSONAL INJURY:
READ AND FOLLOW INSTRUCTIONS AND SAFETY PRECAUTIONS IN OWNER'S MANUAL. DO NOT OPERATE AT MORE THAN 10 KILOM WITH THE SNOWBLOWER IN RAISED POSITION. DO NOT DRIVE AT MORE THAN 3 KILOM WITH SNOWBLOWER ON GROUND. DO NOT OPERATE ON SLOPES GREATER THAN 10%.

ATTENTION

POUR ÉVITER DES BLESSURES:
LIRE LE MANUEL DU PROPRIÉTAIRE ET SUIVRE LES INSTRUCTIONS D'OPÉRATION ET DE SÉCURITÉ. NE PAS CONDUIRE À PLUS DE 10 KILOMRE AVEC LA SNOWBLUSE EN POSITION RELÉVÉE. NE PAS CONDUIRE À PLUS DE 3 KILOMRE AVEC LA SNOWBLUSE ABASSÉE AU SOL. NE PAS OPÉRER DANS UNE PENTE DE PLUS DE 10%.

Décalque #102553

102125

TO AVOID PERSONAL INJURY:
READ AND FOLLOW ALL INSTRUCTIONS AND SAFETY PRECAUTIONS IN OWNER'S MANUAL. KEEP HANDS, FEET AND CLOTHING AWAY FROM POWER DRESS GEAR. BEFORE LEAVING YOUR TRACTOR, LOWER AND DISENGAGE SNOWBLOWER, SET PARKING BRAKE, STOP ENGINE AND REMOVE IGNITION KEY. WAIT FOR ALL MOVING PARTS TO STOP BEFORE MAINTENANCE, LUBRICATING, CLEANING OR UNLOADING SNOWBLOWER. KEEP THE AREA OF OPERATION CLEAR OF ALL PERSONS, ESPECIALLY SMALL CHILDREN & PETS.

ATTENTION

POUR ÉVITER DES BLESSURES:
LIRE LE MANUEL DU PROPRIÉTAIRE ET SUIVRE LES INSTRUCTIONS D'OPÉRATION ET DE SÉCURITÉ. GARDEZ LES MAINS, PIEDS ET VÊTEMENTS ÉLOIGNÉS DES ÉLÉMENTS MOBILES DU ROTATIF. AVANT DE QUITTER VOTRE TRACTEUR, DÉBRAYEZ ET ABASSEZ LA ROUE-PLÈNE, APPLIQUEZ LE FREIN DE STATIONNEMENT, ABÉTEZ LE MOTEUR ET ÉLÉVEZ LA CLE D'IGNITION. ASSUREZ-VOUS QUE TOUTES LES PIÈCES MOBILES SONT ABAYÉES AVANT DE RÉPARER, PULVÉRISER, DÉBRASSER OU DE DÉBOUCHER LA SNOWBLUSE. GARDER TOUTE PERSONNE PARTICULIÈREMENT LES ENFANTS ET LES ANIMAUX ÉLOIGNÉS DES LIEUX D'OPÉRATION. GARDEZ TOUS LES ÉCRANS PROTÉCTEURS EN PLACE.

Décalque #102125

102127

TO AVOID SERIOUS INJURY:
KEEP HANDS OUT OF THIS DISCHARGE CHUTE WHILE ENGINE IS RUNNING.

POUR ÉVITER DES BLESSURES GRAVES:
GARDEZ LES MAINS ÉLOIGNÉES DE LA GOULOTTE LORSQUE LE MOTEUR EST EN MARCHÉ

DANGER

Décalque #102127

PRÉCAUTIONS SÉCURITAIRES

4. Si l'unité commence à vibrer anormalement, arrêtez le moteur et vérifiez la cause immédiatement. Les vibrations sont généralement signe de problèmes.

5. Arrêtez le moteur lorsque vous quittez la machine, avant de dégager la vis, l'éventail ou la goulotte et lorsque vous effectuez des réparations, ajustements, ou inspections.

6. Prenez toutes les précautions nécessaires lorsque vous quittez subitement votre V.T.T.: débrayez et abaissez la souffluse, placez la transmission en position neutre, appliquez le frein de stationnement, arrêtez le moteur et enlevez la clé.

7. Lorsque vous nettoyez, dégagez, réparez ou inspectez le V.T.T. et la souffluse, soyez assuré que toutes les pièces rotatives sont arrêtées. Débranchez le fil de la ou les bougie(s) et gardez-le éloigné de la ou les bougie(s) afin de prévenir des démarrages accidentels.
8. Ne faites pas tourner le moteur à l'intérieur, excepté pour démarrer, entrer ou sortir du bâtiment. Ne pas opérer ou faire tourner le moteur dans un endroit sans ventilation car l'essence contient du monoxyde de carbone qui est sans odeur, sans couleur et peut causer la mort.

9. Ne jamais déblayer la neige sur la façade d'une pente; aller de haut en bas. Soyez extrêmement prudent quand vous opérez l'équipement une pente. Ne pas tenter de déblayer une pente abrupte.
10. Ne jamais utiliser la souffluse sans que les écrans protecteurs et les dispositifs de sûreté soient bien en place.
11. Ne jamais diriger la neige vers les gens ni opérer la souffluse près des fenêtres, automobiles, etc., sans avoir ajusté l'angle de la goulotte. Ne tolérez personne, ni enfants ni animaux domestiques dans la zone de déblaiement.
12. Ne pas surcharger la capacité de la machine en tentant de déblayer la neige trop vite. Permettez la souffluse d'ingurgiter la neige à sa propre vitesse.
13. Ne jamais opérer la souffluse à haute vitesse sur les surfaces glacées. Regardez vers l'arrière et soyez prudent lorsque vous reculez.
14. Ne jamais transporter de passagers.
15. Débrayez la souffluse lorsque la souffluse doit être transportée ou qu'elle n'est pas utilisée.

1. Vérifiez les boulons de sécurité, les boulons de montage et les autres boulons à intervalles fréquents pour s'assurer qu'ils soient bien serrés et que la souffluse soit en mesure de fonctionner sécuritairement.
2. Ne jamais entreposer la machine et moteur avec de l'essence dans le réservoir à l'intérieur d'une bâtisse où il y a des sources d'ignition comme des réservoirs d'eau chaude, sécheuses, source de chaleur, etc... Laisser refroidir le moteur avant de l'entreposer à l'intérieur.
3. Toujours se référer au manuel du propriétaire de l'opérateur du moteur et de la souffluse lorsque vous les entreposez pour une période prolongée ou indéterminée.
4. Maintenir ou remplacer les décalques de sécurité et d'instructions au besoin.
5. Faire tourner la souffluse pendant quelques minutes après avoir soufflé la neige pour prévenir le gel des pièces rotatives telle la éventail et la vis.

ENTRETIEN ET ENTREPOSAGE:

1. Abaissez la souffluse au sol et appliquez le frein.
2. ARRÊTER LE MOTEUR ET ENLEVER LA CLÉ!
3. Attendez 10 secondes pour vous assurer que toutes les pièces rotatives tel que les pâles de l'éventail ont arrêtés de tourner.
4. Débranchez le fil de la ou des bougie(s) et gardez-le éloigné de la ou des bougie(s) afin de prévenir des démarrages accidentels.
5. Toujours utiliser un outil de nettoyage d'une longueur minimum de 36", PAS VOS MAINS.

NETTOYAGE D'UNE GOULOTTE OBSTRUÉE:

17. Ne jamais opérer la souffluse sans une bonne visibilité et éclairage.

16. Utilisez seulement les accessoires approuvés par le fabricant de la souffluse (tels que chaînes pour les pneus, et autres).

LORSQUE VOUS VOYEZ CE SYMBOLE



CELA SIGNIFIE:
ATTENTION!

SOYEZ PRUDENT!
VOTRE SÉCURITÉ EST EN CAUSE!

PRÉCAUTIONS SÉCURITAIRES

Une opération prudente est votre meilleure assurance contre un accident. Lisez cette section attentivement avant d'opérer le V.T.T. et la souffluse. Cette souffluse à neige a la capacité d'amputer mains, pieds ou projeter des objets étrangers. Ne pas respecter les instructions de sécurité suivantes peut entraîner de sérieuses blessures. Tous les opérateurs, peu importe leur expérience, devraient lire ce manuel et tout autre manuel relatif au V.T.T. et souffluse avant l'opération. C'est l'obligation légale du propriétaire d'enseigner à tous les opérateurs comment utiliser la souffluse d'une façon sécuritaire.

FORMATION:

Ce symbole d'avertissement sécuritaire est utilisé partout dans ce manuel et sur les décalques de sécurité des accessoires pour vous aviser des possibilités de blessures sérieuses. S.V.P. portez une attention particulière à la lecture et à la compréhension des précautions sécuritaires avant d'opérer la souffluse ou le V.T.T.



1. Lisez ce Manuel du Propriétaire attentivement. Soyez complètement familier avec les contrôles et l'utilisation de la souffluse. Sachez comment arrêter l'unité et débrayer les contrôles rapidement.

2. Ne permettez jamais à un enfant d'opérer la souffluse ni le V.T.T. Ne permettez jamais à un adulte d'opérer la souffluse ni le V.T.T. sans qu'il ait la formation nécessaire.

3. Ne pas opérer la souffluse ni le V.T.T. si vous êtes sous l'influence de l'alcool, des drogues ou médicaments. Ceux-ci affaiblissent les facultés et diminuent le temps de réaction.

4. Gardez l'endroit d'opération libre de toute personne, particulièrement de jeunes enfants ou animaux domestiques.

PRÉPARATION:

1. Faites une inspection complète de l'endroit où la souffluse va être utilisée et enlevez les essuie-pieds et tout autre objet étranger.

2. Débrayez tous les embrayages et passer au neutre avant de démarrer le moteur.

3. Ne jamais opérer la souffluse sans porter des vêtements d'hiver adéquats. Éviter les vêtements et accessoires amples qui pourraient se prendre dans les pièces rotatives. Portez des chaussures antidérapantes qui vont vous aider à garder l'équilibre sur les surfaces glacées.

4. Manipulez l'essence avec précaution, il est extrêmement inflammable.

a) Utilisez un contenant à essence approuvé.

b) Ne jamais ajouter de l'essence quand le moteur est chaud ou en marche.

c) Remplissez le réservoir à essence à l'extérieur avec extrême prudence. Ne jamais remplir le réservoir à l'intérieur.

OPÉRATION:

1. Ne mettez jamais vos mains ou pieds près de ou sous les pièces rotatives. Restez loin de l'ouverture de la goulotte en tout temps.

2. Soyez prudent lorsque vous êtes sur ou que vous traversez les entrées en gravier, trottoirs, ou chemins. Redoublez de vigilance face aux dangers cachés ou au trafic.

3. Après avoir heurté un objet étranger, arrêtez le moteur, débranchez le fil de la ou les bougie(s) et gardez-le éloigné de la ou les bougie(s) pour prévenir un démarrage accidentel. Inspectez la souffluse pour tout dommage et réparez le dommage avant de redémarrer et d'opérer la souffluse.

7. Laissez le moteur, le V.T.T. et la souffluse s'ajuster à la température extérieure avant de commencer à déblayer la neige.

8. Toujours porter des lunettes de sécurité durant l'opération, pendant des ajustements ou des réparations pour protéger les yeux de tout objet qui pourrait être projeté par la souffluse.

9. Ne faites aucun ajustement lorsque le moteur est en marche (excepté quand cela est recommandé par le fabricant).

5. Ajustez la hauteur de la souffluse pour éviter de ramasser du gravier ou de la roche. Ceci s'effectue en ajustant les patins.

h) Si vous renversez de l'essence sur les vêtements, changez les vêtements immédiatement.

g) Fermez le couvercle du réservoir fermement et essuyez les éclaboussures.

f) Gardez le bec verseur en contact avec le rebords du réservoir d'essence ou de l'ouverture du contenant en tout temps, jusqu'au remplissage complet. Ne pas utiliser un dispositif de serrure ouvert sur le bec verseur.

e) Lorsque possible, enlever les équipements à pleine d'essence au sol. Si ce n'est pas possible, faire le plein d'essence avec un contenant à essence portatif plutôt que directement de la pompe à essence.

d) Ne jamais remplir les contenants à l'intérieur d'un véhicule ou sur un camion ou sur un camion plate-forme avec une doublure de caisse. Toujours placer les contenants sur le sol loin de votre véhicule avant le remplissage.

9. Ne jamais modifier la souffluse ou les pièces sans le consentement écrit du fabricant.

INTRODUCTION

À L'ACHETEUR

Ce nouvel accessoire a été soigneusement conçu pour vous donner plusieurs années de bons services. Ce manuel a pour but de vous aider à utiliser prudemment votre accessoire.

NOTE: Toutes les photographies et illustrations de ce manuel peuvent ne pas être du modèle ou de l'accessoire en main et ne sont présentées qu'à titre de référence. Elles sont basées sur les dernières informations disponibles lors de la publication.

Familiarisez-vous avec les recommandations de sécurité et les procédures d'utilisation avant d'utiliser l'accessoire. Lisez et suivez attentivement ces recommandations et insistez pour qu'elles soient suivies par ceux qui se serviront de l'accessoire avec vous.

DANS CE MANUEL, CE SYMBOLE D'AVERTISSEMENT SÉCURITAIRE IDENTIFIE UN MESSAGE DE SÉCURITÉ IMPORTANT QUI VOUS AIDERA AINSI QUE TOUTE AUTRE PERSONNE À ÉVITER DES BLESSURES GRAVES ET MÊME LA MORT. DANGER, ATTENTION, PRÉCAUTION SONT DES MOTS D'AVERTISSEMENT POUR IDENTIFIER LES NIVEAUX DE DANGER. TOUJOURS, SOYEZ TOUJOURS EXTRÊMEMENT PRUDENT.



DANGER: Signifie un danger extrême qui causera des blessures graves ou même la mort, si les précautions recommandées ne sont pas respectées.

ATTENTION: Signifie un danger qui peut causer des blessures graves ou même la mort, si les précautions recommandées ne sont pas respectées.

PRÉCAUTION: Signifie un danger qui peut causer des blessures mineures si les précautions recommandées ne sont pas respectées.

Notez le numéro de série avec la date d'achat de votre accessoire (il n'y a pas de numéro de série attribué au sous-chassis) dans la section réservée ci-dessous. Votre détaillant exige cette information afin d'assurer un service rapide et efficace lorsque des pièces de rechange sont à commander. Remplacez les pièces défectueuses par des pièces d'origine seulement.

Si des réparations sur garantie sont nécessaires, veuillez présenter ce livret d'enregistrement et la facture de vente originale à votre concessionnaire.

Ce manuel devrait être conservé pour référence future.
S.V.P. Vérifier si vous avez reçu toutes les pièces de votre ensemble avec la liste du sac et liste de la boîte.

NUMÉRO DE SÉRIE:	_____
DATE D'ACHAT:	_____

Dans ce manuel, le côté droit et le côté gauche sont déterminés en étant assis sur le siège du V.T.T. et regardant vers l'avant.

Dans ce manuel, "accessoire" veut dire instrument que vous pouvez installer sur le V.T.T. comme, la souffeuse.

TABLE DES MATIÈRES

2	INTRODUCTION	
3	PRÉCAUTIONS SÉCURITAIRES	
5	DÉCALQUES DE SÉCURITÉ	
6	ASSEMBLAGE	
6	Étape 1: Préparation de la souffléuse	
9	Étape 2: Préparation du sous-châssis	
11	Étape 3: Installation du moteur	
15	Étape 4: Installation sur le V.T.T.	
19	OPÉRATION	
19	Opération de la souffléuse	
19	Contrôles	
19	Enlèvement de la neige	
20	ENTRETIEN	
20	Entretien	
20	Ajustements	
20	Lubrification	
20	Maintenance du racloir	
20	Remplacement du boulon de sécurité	
20	Entreposage	
21	REMPLACEMENT DES COURROIES & AJUSTEMENTS	
22	DEPANNAGE	
24	OPTIONS & ACCESSOIRES	
RÉFÉREZ-VOUS À LA SECTION ANGLAISE POUR :		
24	TABEAU DES SUPPORTS DE MONTAGE	
26	NOMENCLATURE ET LISTE DES PIÈCES	
26	Système de rotation avec goulotte	
28	Mécanisme d'embrayage manuel	
30	Sous-châssis	
32	Souffléuse	
27	TABE DE SPÉCIFICATION DE COUPLE	

GARANTIE

D'UNE DURÉE DE UN AN SUR LES SOUFFLEUSES KIMPEX POUR V.T.T.

Pendant un an à compter de la date d'achat, KIMPEX s'engage à réparer ou à remplacer sans frais, à son choix, toute pièce jugée défectueuse en raison d'un vice de matériau ou de fabrication.

UTILISATION À DES FINS COMMERCIALES OU DE LOCATION:

La garantie sur les accessoires KIMPEX utilisés à des fins commerciales ou de location est limitée à 90 jours.

Cette garantie ne couvre pas:

- * les pièces usées telles que les goupilles et boulons de sécurité, les courroies.
- * les réparations résultant de la négligence du client ou d'une utilisation abusive.
- * le montage avant livraison
- * le service au domicile du client

On peut se prévaloir de la garantie en apportant l'accessoire "KIMPEX" à un marchand autorisé.

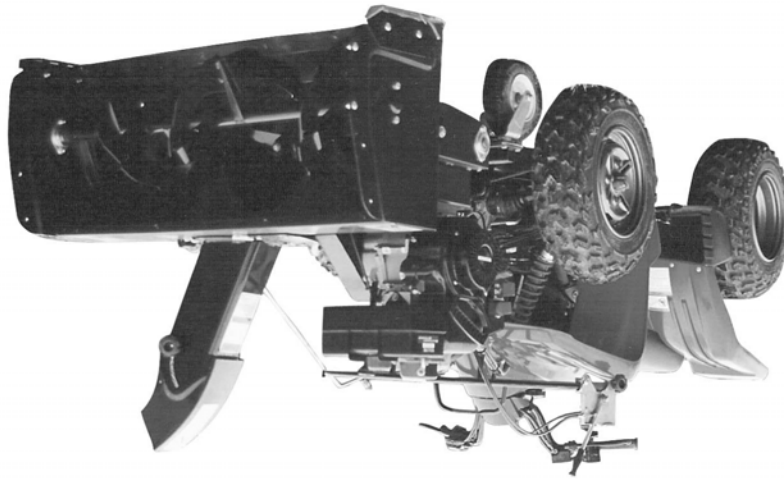
KIMPEX INC.

5355, St-Roch, Drummondville (Québec) Canada, J2B 6V4

ATTENTION:
LIRE & SUIVRE TOUTES LES RÈGLES DE SÉCURITÉ & INSTRUCTIONS
AVANT D'UTILISER CET ÉQUIPEMENT

* ASSEMBLAGE * OPÉRATION
* PIÈCES DE RÉPARATION * ENTRETIEN

KIMPEX
pour
Souffleuse Deux Phases 48"
VEHICULE TOUT TERRAIN



MANUEL DU PROPRIÉTAIRE
Modèle Numéro
058336
700310-4

KIMPEX