



INSTRUCTION BOOKLET
Model Number
700791

BERCO
Broom Adaptor
for
Compact & Northeast Subframes

* ASSEMBLY
* OPERATION

* REPAIR PARTS
* MAINTENANCE

CAUTION:
**READ & FOLLOW ALL SAFETY RULES & INSTRUCTIONS BEFORE
OPERATING YOUR EQUIPMENT**



LIMITED WARRANTY

Conditions and Products Covered:

BERCOMAC guarantees any part of the product or accessory manufactured by BERCOMAC and found in the reasonable judgment of BERCOMAC to be defective in material and or workmanship will be repaired or replaced by an authorized dealer without charge up to our maximum labor rates and pre-established times. For replacement parts only standard ground freight services are covered. This warranty extends to the original retail purchaser only and is not transferable to any subsequent purchasers.

Warranty Period

(from date of the original retail purchase)

- Residential use: 1 year
- Semi-commercial, professional or rental use: 90 days

Exceptions Noted Below; the following items are guaranteed by the original manufacturer and have their own warranty, conditions and limited time:

- Tire Chains: 90 days
- Engines (installed in factory on BERCO equipment): 2 years
- Engines (sold separately): Validate with the dealer. Please refer to the engine manufacturer's warranty statement included with the unit. BERCOMAC is not authorized to handle warranty adjustments on engines.

Items and Conditions NOT Covered:

This warranty does not cover the following:

- Pick-up or delivery charges or in-home services fees.
- Any damage or deterioration of the unit, parts and or finish of these due to normal use, wear and tear, or exposure.
- Cost of regular use or maintenance service or parts, such as gas, oil, lubricants, tune-up parts, and adjustments.
- Any part or accessory which has been altered, modified, misused, neglected, accidentally damaged or not properly installed, maintained, stored or repaired not in accordance with the instructions in the owner's manual.
- Repair due to normal wear and or any wear items such as shear pins, bolts, belts, etc.
- Expedited freight fee services for replacement parts.
- Shear bolts and shear pins are to be considered as a preventive measure not as an assured protection, any damages resulting from the lack of shear bolts breakage are not covered.

NOTE: All warranty work must be performed by an authorized dealer using original (manufacturer) replacement parts.

NOTE: Bercomac reserves the right to change or improve the design of any part or accessory without assuming any obligation to modify any product previously manufactured.

Instructions for Obtaining Warranty Services:

Contact dealer where equipment was purchased or any other BERCOMAC service dealer to arrange service at their dealership. To locate a dealer convenient to you, access our website at www.bercomac.com. Don't forget to bring the product and your proof of purchase (sales receipt) to the BERCOMAC dealer.

Owner's Responsibilities:

BERCOMAC's defective equipment or part must be returned to an authorized dealer within the warranty period for repairs. In the event that defective merchandise must be returned to manufacturer for repairs, freight fees are prepaid and a written authorization from BERCOMAC must be obtained by dealer prior to the shipment. This warranty extends only to equipment operated under normal conditions. To validate a warranty claim, it is the user's responsibility to maintain and service the unit as specified in the owner's manual or to have the unit serviced at their dealer at their expense.

General Conditions:

The sole liability of BERCOMAC with respect to this warranty shall be strictly and exclusively repair and replacement as mentioned herein. BERCOMAC shall not have any liability for any other costs, loss or damage, including but not limited to, any incidental or consequential loss or damage.

In particular, without being limited to, BERCOMAC shall have no liability or responsibility for:

- Travel time, overtime, after hours time or other extraordinary repair charges or relating to repairs and or replacements outside of normal business hours.
- Rental of like or similar replacement equipment during the period of any, repair or replacement work.
- Any communicating or travel charges.
- Loss or damage to person or property other than that covered by the terms of this warranty.
- Any claims for lost revenue, lost profit or any similar costs as a result of damage or repair.
- Attorney's fees.

BERCOMAC's responsibility in respect to claims is limited to making the required repairs or replacement without charge up to our maximum labor rates and pre-established times and no claim of breach of warranty shall be cause for cancellation or rescission of the contract of sale of any product or accessory.

This warranty gives you specific legal rights. You may also have other rights, which vary from state to state.

ASSEMBLY

Please follow these adaptor installation instructions on the Rotary Broom. For all other instructions see the Owner's Manual for the Subframe and the Rotary Broom for all safety precautions and rules.

See parts breakdown for part identification

STEP 1 ADAPTOR INSTALLATION

Remove the belt guard (item 6).



Install the push frame (item 1) to the gear box frame (item 2) by using two cone bearings (item 3), one on top and the other underneath. Fill the space between the bearings with grease.

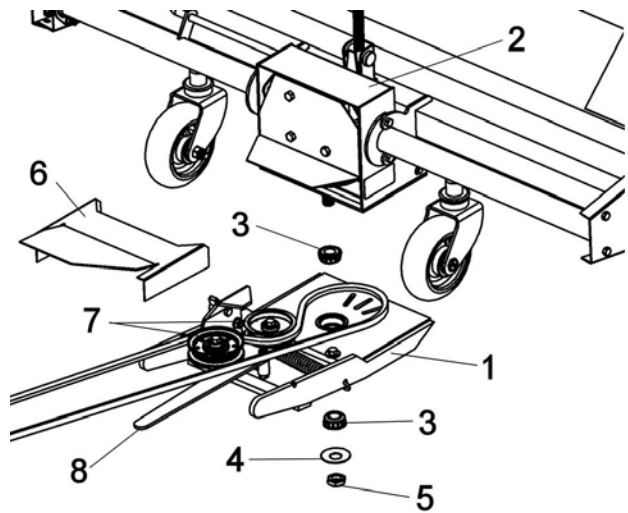
Secure with a seal washer (item 4), the hollow portion toward the top and a 3/4" nylon insert lock nut (item 5).

Tighten loosely enough to permit the push frame to move freely.

Push the handle end (item 8) to the right to release the tension on the idler arm and install the V-belt on the tension pulleys (item 7). Then, install the belt on the broom pulley as shown.



Reinstall the belt guard (item 6) on the push frame

	DANGER	
NEVER OPERATE THE ROTARY BROOM WITHOUT:		
Brush hood		
Belt guard		
Gear box guard		
Extension guard and any other safety protection devices in place.		

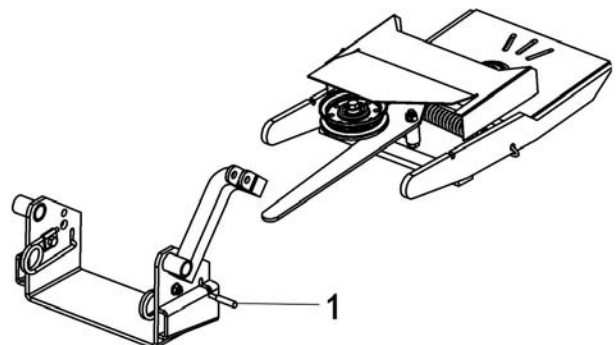


Install broom adaptor

STEP 2 ROTARY BROOM INSTALLATION

	WARNING	
TO PREVENT INJURIES:		
Stop the motor.		
Apply parking brake.		
Remove the ignition key.		
Disconnect the wire from the spark plug(s) and keep away from spark plug(s) to prevent accidental starting.		

Attach the rotary broom to the subframe as shown. Make sure the rotary broom is pushed in until locked into place by the springs (item 1).



Install Rotary Broom

ASSEMBLY

BELT INSTALLATION ON COMPACT SUBFRAME

Install the belt on the drive mechanism pulley (item 4).

Make sure the belt is routed as shown.

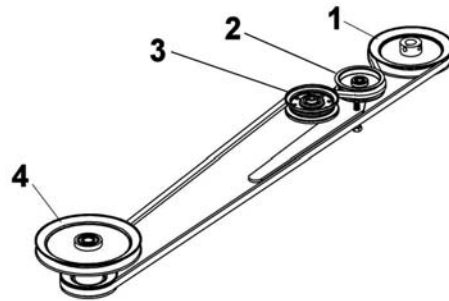


DANGER



NEVER OPERATE THE ROTARY BROOM WITHOUT:

**Brush hood
Belt guard
Gear box guard
Extension guard and any other safety protection devices in place.**



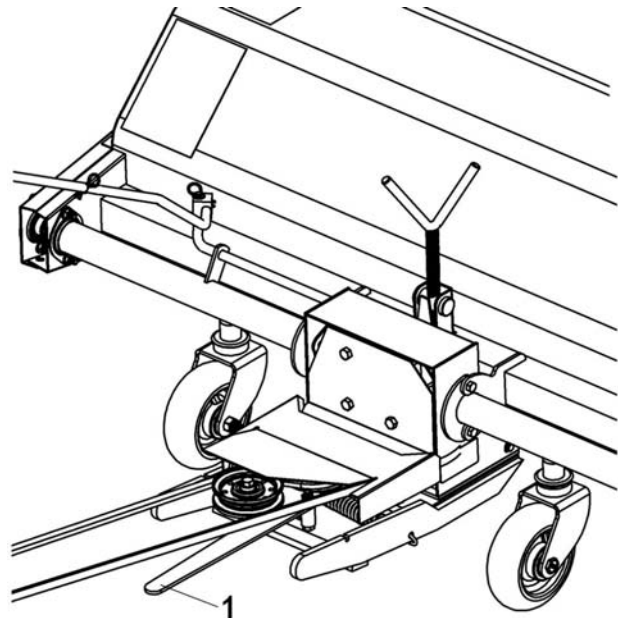
Install belt

1. Broom pulley
2. Idler
3. Flat pulley
4. Drive mechanism pulley

TIP: Because of strong tension on the spring and to facilitate installation of the belt, the broom must be on the ground and belt removed from the engine pulley.

Push the handle of the idler arm (item 1) toward the right to release tension on the belt and install belt on the tension pulleys.

Then install belt on the broom pulley as shown .



Push handle to release tension on belt

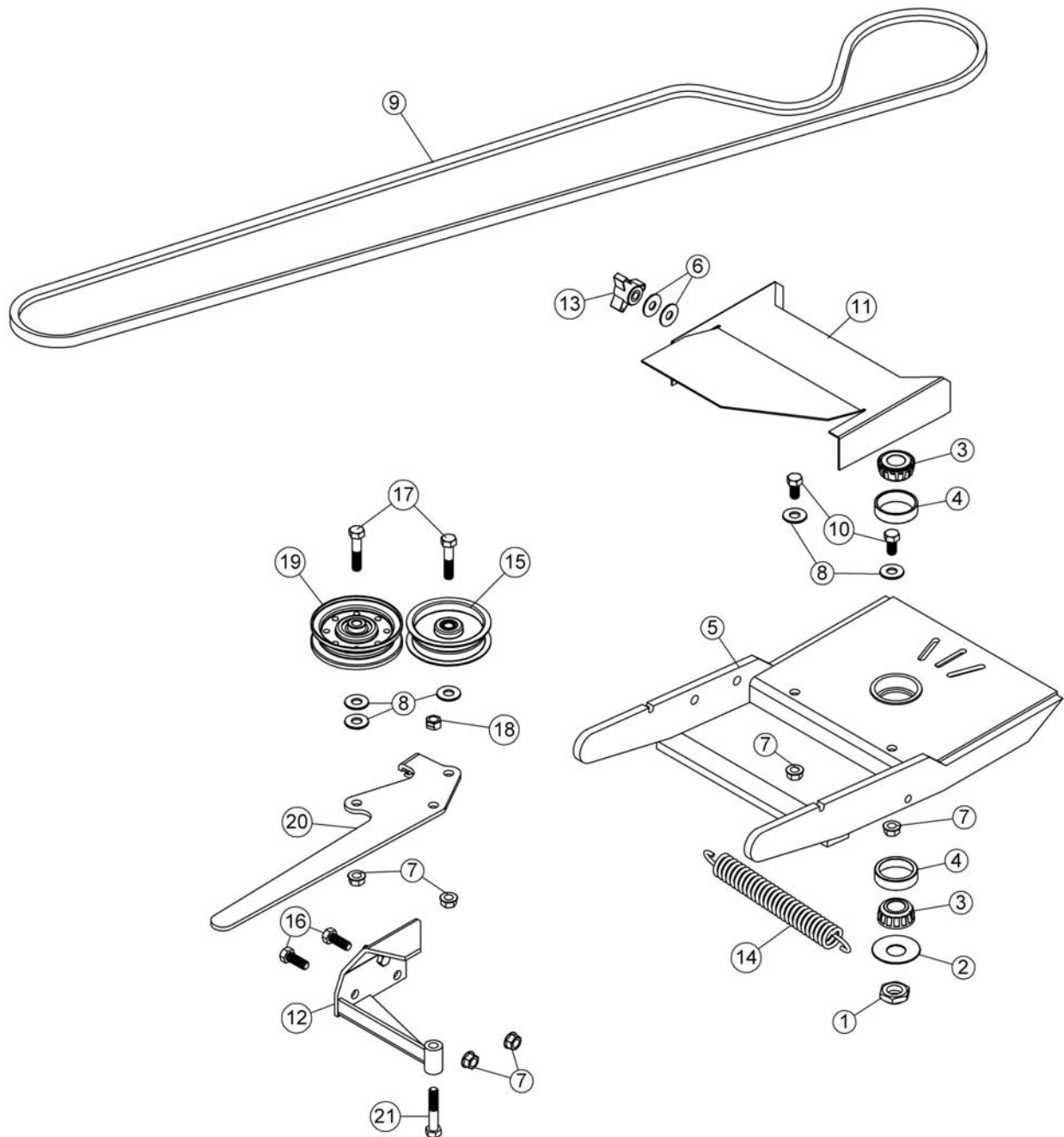


CAUTION



Never use the Rotary Broom without the belt guard.

PARTS BREAKDOWN / NOMENCLATURE DES PIÈCES
BROOM ADAPTOR FOR COMPACT AND NORTHEAST SUBFRAMES
ADAPTEUR DE BALAI POUR SOUS-CHÂSSIS COMPACT ET NORDET



PARTS LIST / LISTE DES PIÈCES

Ref. Réf.	English description	Description française	Qty. Qté.	Part # Pièce #
1	Nylon insert lock nut 3/4" n.c. (thin)	Écrou à garniture de nylon 3/4" n.c.(mince)	1	O/L
2	Seal washer	Rondelle d'étanchéité	1	102289
3	Cone bearing	Roulement conique	2	102369
4	Cup bearing	Cuvette	2	102370
5	Push frame	Châssis de poussée	1	104112
6	Flat washer 3/8" hole	Rondelle plate 3/8" trou	2	O/L
7	Flange nut 3/8" n.c.	Écrou à bride 3/8" n.c.	6	O/L
8	Flat washer 7/16" hole	Rondelle plate 7/16" trou	5	O/L
9	V-belt, A-101	Courroie en V, A-101	1	104580
10	Hex. bolt 3/8" n.c. x 3/4"	Boulon hex. 3/8" n.c. x 3/4"	2	O/L
11	Belt guard	Garde-courroie	1	104114
12	Arm support	Support du bras	1	104364
13	Knob	Bouton	1	103027
14	Spring	Ressort	1	102861
15	Flat pulley	Poulie plate	1	102839
16	Hex. bolt 3/8" n.c. x 1"	Boulon hex. 3/8" n.c. x 1"	2	O/L
17	Hex. bolt 3/8" n.c. x 1 3/4"	Boulon hex. 3/8" n.c. x 1 3/4"	2	O/L
18	Stover lock nut 3/8" n.c.	Écrou de blocage 3/8" n.c.	1	O/L
19	Idler	Poulie	1	103044
20	Idler arm	Bras de tension	1	104365
21	Hex. bolt 3/8" n.c. x 2"	Boulon hex. 3/8" n.c. x 2"	1	O/L

O/L = Obtain locally/obtenir localement

