



OWNER'S MANUAL

Model Number

700264-4 Subframe

700265-4 Compact Drive Mechanism

700443-1 Northeast Drive Mechanism



BERCO

Subframe & Drive Mechanism

for

CUB CADET

2500 SERIES

Tractors

* ASSEMBLY

* OPERATION

* REPAIR PARTS

* MAINTENANCE

CAUTION:

**READ & FOLLOW ALL SAFETY RULES & INSTRUCTIONS BEFORE
OPERATING YOUR EQUIPMENT**



LIMITED WARRANTY

Conditions and Products Covered:

BERCOMAC guarantees any part of the product or accessory manufactured by BERCOMAC and found in the reasonable judgment of BERCOMAC to be defective in material and or workmanship will be repaired or replaced by an authorized dealer without charge up to our maximum labor rates and pre-established times. For replacement parts only standard ground freight services are covered. This warranty extends to the original retail purchaser only and is not transferable to any subsequent purchasers.

Warranty Period

(from date of the original retail purchase)

- Residential use: 1 year
- Semi-commercial, professional or rental use: 90 days

Exceptions Noted Below; the following items are guaranteed by the original manufacturer and have their own warranty, conditions and limited time:

- Tire Chains: 90 days
- Engines: Will vary as per the manufacturer
Please refer to the engine manufacturer's warranty statement included with the unit. BERCOMAC is not authorized to handle warranty adjustments on engines.

Items and Conditions NOT Covered:

This warranty does not cover the following:

- Pick-up or delivery charges or in-home services fees.
- Any damage or deterioration of the unit, parts and or finish of these due to normal use, wear and tear, or exposure.
- Cost of regular use or maintenance service or parts, such as gas, oil, lubricants, tune-up parts, and adjustments.
- Any part or accessory which has been altered, modified, misused, neglected, accidentally damaged or not properly installed, maintained, stored or repaired not in accordance with the instructions in the owner's manual.
- Repair due to normal wear and or any wear items such as shear pins, bolts, belts, etc.
- Expedited freight fee services for replacement parts.
- Shear bolts and shear pins are to be considered as a preventive measure not as an assured protection, any damages resulting from the lack of shear bolts breakage are not covered.

NOTE: All warranty work must be performed by an authorized dealer using original (manufacturer) replacement parts.

NOTE: Bercomac reserves the right to change or improve the design of any part or accessory without assuming any obligation to modify any product previously manufactured.

Instructions for Obtaining Warranty Services:

Contact dealer where equipment was purchased or any other BERCOMAC service dealer to arrange service at their dealership. To locate a dealer convenient to you, access our website at www.bercomac.com. Don't forget to bring the product and your proof of purchase (sales receipt) to the BERCOMAC dealer.

Owner's Responsibilities:

BERCOMAC's defective equipment or part must be returned to an authorized dealer within the warranty period for repairs. In the event that defective merchandise must be returned to manufacturer for repairs, freight fees are prepaid and a written authorization from BERCOMAC must be obtained by dealer prior to the shipment. This warranty extends only to equipment operated under normal conditions. To validate a warranty claim, it is the user's responsibility to maintain and service the unit as specified in the owner's manual or to have the unit serviced at their dealer at their expense.

General Conditions:

The sole liability of BERCOMAC with respect to this warranty shall be strictly and exclusively repair and replacement as mentioned herein. BERCOMAC shall not have any liability for any other costs, loss or damage, including but not limited to, any incidental or consequential loss or damage.

In particular, without being limited to, BERCOMAC shall have no liability or responsibility for:

- Travel time, overtime, after hours time or other extraordinary repair charges or relating to repairs and or replacements outside of normal business hours.
- Rental of like or similar replacement equipment during the period of any, repair or replacement work.
- Any communicating or travel charges.
- Loss or damage to person or property other than that covered by the terms of this warranty.
- Any claims for lost revenue, lost profit or any similar costs as a result of damage or repair.
- Attorney's fees.

BERCOMAC's responsibility in respect to claims is limited to making the required repairs or replacement without charge up to our maximum labor rates and pre-established times and no claim of breach of warranty shall be cause for cancellation or rescission of the contract of sale of any product or accessory.

This warranty gives you specific legal rights. You may also have other rights, which vary from state to state.

TABLE OF CONTENTS

	PAGE
INTRODUCTION	2
SAFETY PRECAUTIONS	3
ASSEMBLY	
Step 1: Subframe Installation:	5
Step 2: Drive Mechanism Installation:	8
Step 3: Snowblower Installation:	10
Rotary Broom Installation:	13
Utility Blade Installation:	15
MAINTENANCE & DISMOUNTING	
Maintenance:	16
Drive Mechanism Dismounting	16
End of Season Storage	16
TORQUE SPECIFICATION TABLE	17
PARTS BREAKDOWN AND PARTS LIST	
Subframe	18
Compact Drive Mechanism	20
Northeast Drive Mechanism	22
ATTACHMENTS	24
TROUBLESHOOTING	
See each attachment owner's manual for this section. (Snowblower, Utility Blade, Rotary Broom, ...)	

INTRODUCTION

TO THE PURCHASER

This new accessory was carefully designed to give years of dependable service. This manual has been provided to assist in the safe operation and servicing of your attachment.

NOTE: All photographs and illustrations in the manual may not necessarily depict the actual models or attachment, but are intended for reference only and are based on the latest product information available at the time of publication.

Familiarize yourself fully with the safety recommendations and operating procedures before putting the machine to use. Carefully read, understand and follow these recommendations and insist that they be followed by those who will use this attachment.



THIS SAFETY ALERT SYMBOL IDENTIFIES AN IMPORTANT SAFETY MESSAGE IN THIS MANUAL THAT HELPS YOU AND OTHERS AVOID PERSONAL INJURY OR EVEN DEATH. DANGER, WARNING, AND CAUTION ARE SIGNAL WORDS USED TO IDENTIFY THE LEVEL OF HAZARD. HOWEVER, REGARDLESS OF THE HAZARD, BE EXTREMELY CAREFUL.

- DANGER:** Signals an extreme hazard that will cause serious injury or death if recommended precautions are not followed.

- WARNING:** Signals a hazard that may cause serious injury or death if the recommended precautions are not followed.

- CAUTION:** Signals a hazard that may cause minor or moderate injury if the recommended precautions are not followed.

Record your attachment serial number and purchase date in the section reserved below (there is no serial number on the subframe). Your dealer requires this information to give you prompt, efficient service when ordering replacement parts. Use only genuine parts when replacements are required.

If warranty repairs are required please present this registration booklet and original sales invoice to your selling dealer for warranty service.

**This manual should be kept for future reference.
Please check if you have received all the parts for your kit with the list of the bag and the list of the box.**

SERIAL NUMBER : (IF APPLICABLE)	
MODEL NUMBER:	
PURCHASE DATE :	



SAFETY PRECAUTIONS



Careful operation is your best insurance against an accident. Read this section carefully before operating the vehicle and accessory. This accessory is capable of amputating hands and feet and throwing objects. Failure to observe the following safety instructions could result in serious injury. All operators, no matter how experienced they may be, should read this and other manuals related to the vehicle and accessory before operating. It is the owner's legal obligation to instruct all operators in safe operation of the accessory.

GLOSSARY:

In this manual, right and left sides are determined by sitting on the seat of the vehicle facing forward.

In this manual, "accessories" means attachments (snowblower, rotary broom, blade etc.) that you install on the vehicle (lawn tractors, A.T.V. s etc).

TRAINING:



This symbol, "Safety Alert Symbol", is used throughout this manual and on the accessory's safety labels to warn of the possibility of serious injury. Please take special care in reading and understanding the safety precautions before operating the vehicle and accessory.

1. Read this owner's manual carefully. Be thoroughly familiar with the controls and proper use of the vehicle and accessory. Know how to stop the unit and disengage the controls quickly.
2. Never allow children to operate the vehicle nor the accessory. Never allow adults to operate the vehicle nor the accessory without proper instructions.
3. No one should operate the vehicle nor the accessory while intoxicated or while taking medication that impairs the senses or reactions.
4. Keep the area of operation clear of all people, particularly small children and pets.

PREPARATION:

1. Thoroughly inspect the area where the accessory is to be used and remove door mats, all foreign objects and the like.
2. For motorized accessories, disengage all clutches and shift into neutral before starting engine.
3. Do not operate the accessory without wearing adequate winter outer garments. Avoid loose fitting clothing that can get caught in moving parts. Wear footwear that will improve footing on slippery surfaces.

4. Handle fuel with care, it is highly flammable.

- a) Use approved fuel container.
 - b) Never add fuel to a running engine or hot engine.
 - c) Fill fuel tank outdoors with extreme care. Never fill fuel tank indoors.
 - d) Never fill containers inside a vehicle, or on a truck or a trailer bed with a plastic liner. Always place containers on the ground, away from your vehicle, before filling.
 - e) When practical, remove gas-powered equipment from the truck or trailer and refuel it on the ground. If this is not possible, then refuel such equipment on a trailer with a portable container, rather than from a gasoline dispenser nozzle.
 - f) Keep the nozzle in contact with the rim of the fuel tank or container opening at all times, until refueling is complete. Do not use a nozzle lock-open device.
 - g) Replace fuel cap securely and wipe up spilled fuel.
 - h) If fuel is spilled on clothing, change clothing immediately.
5. Never attempt to make any adjustments while the engine (motor) is running (except when specifically recommended by manufacturer).
 6. Let the vehicle and accessory adjust to outdoor temperatures before using.
 7. Never use an accessory without proper guards, plates, or other safety protective devices in place
 8. Always make sure to wear the appropriate safety equipment required (glasses, muffs, mask...) for each type of product. See operation section.
 9. Always make sure of having safe traction on the vehicle by using the recommended accessories (chains, A.T.V. tracks, counterweights...). See operation section.
 10. **Never modify the accessory or any part without the written consent from the manufacturer.**



SAFETY PRECAUTIONS



OPERATION:

1. Do not put hands or feet near, under or inside rotating parts.
2. Exercise extreme caution when operating on or crossing gravel drives, walks or roads. Stay alert for hidden hazards or traffic. Do not carry passengers.
3. After striking a foreign object, stop the engine (motor), disconnect the wire from the spark plug(s) and keep wire away to prevent accidental starting. Thoroughly inspect the accessory for any damage and repair damage before restarting and using the accessory.
4. If the unit should start to vibrate abnormally, stop the engine (motor) and check immediately for the cause. Vibration is generally a warning of trouble.
5. Take all possible precautions when leaving the vehicle unattended. Disengage the power take-off, lower the attachment, place the transmission into neutral, set the parking brake, stop the engine and remove the contact key.
6. Do not run the engine indoors, except when starting the engine and for transporting in or out of the building. Do not operate or let motor run in a storage area without ventilation because gas contains carbon monoxide which is odorless, colorless and can cause death.
7. Never use the accessories across the face of slopes, go from top to bottom. Exercise extreme caution when using equipment on slopes. Do not attempt to clear a steep slope.
8. Never tolerate bystanders in the working zone. Never use an accessory in the direction of bystanders, it might throw gravel or debris that can hurt people or damage property.
9. Never operate the accessory at high transport speeds on slippery surfaces. Use care when backing up.
10. Do not carry passengers.
11. Disengage power to the accessory when it is transported or not in use.
12. Never operate the accessory without good visibility or light.
13. Keep the accessory away from heat sources or flames.

MAINTENANCE AND STORAGE

1. When cleaning, repairing or inspecting the vehicle and accessory, make certain that all moving parts have stopped. Disconnect wire from the spark plug(s) and keep wire away to prevent accidental starting.
2. Check all the bolts and components at frequent intervals to make sure that they are properly tightened.
3. Never store a motorized accessory with fuel in the fuel tank inside a building where ignition sources are present such as hot water and space heaters, clothes dryers, and the like. Allow the engine to cool before storing in any enclosure.
4. Always refer to the owner's manual when you store the accessory and vehicle for a prolonged or an unspecified length of time.
5. Maintain or replace safety and instruction labels, as necessary.
6. For winter accessories, (if applicable), let the engine run for a few minutes after clean snow in order to prevent the rotary parts from freezing.
7. Inspect the vehicle's and accessory's air filter every day. Clean it or replace it as necessary. Change the oil more often when working in dusty conditions. See the vehicle's and accessory's owner's manual.





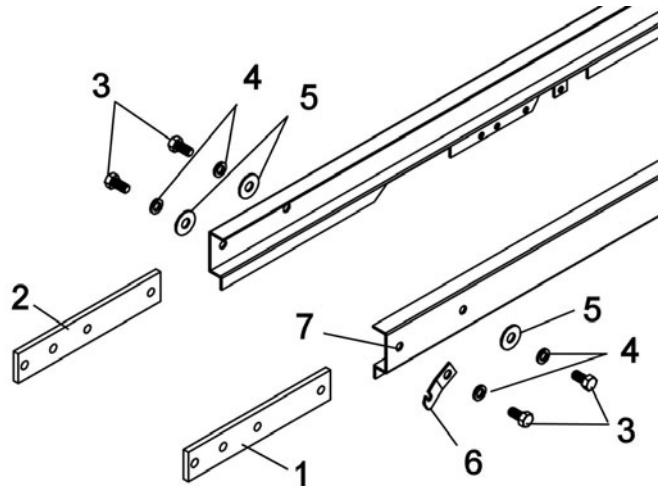
**THIS SYMBOL MEANS
DANGER !
BECOME ALERT !
YOUR SAFETY IS INVOLVED !**

ASSEMBLY

STEP 1: SUBFRAME INSTALLATION:

IMPORTANT: TORQUE ALL BOLTS ACCORDING TO TORQUE SPECIFICATION TABLE (SEE TABLE OF CONTENTS) WHEN STATED: TIGHTEN FIRMLY. REFER TO PARTS BREAKDOWN SECTION FOR THEIR IDENTIFICATION

	WARNING	
<p>TO PREVENT INJURIES: Stop the motor. Apply parking brakes. Remove the ignition key. Disconnect the wire from the spark plug(s) and keep away from spark plug(s) to prevent accidental starting.</p>		



Install the flat bars and spring hook

This subframe may be used to install different attachments (see attachments page). Once installed, it may remain permanently on the tractor.

Lower or remove the mower deck.
Remove the bumper from the tractor.

Insert inside the tractor's frame the attaching flat bars (item 1 & 2).

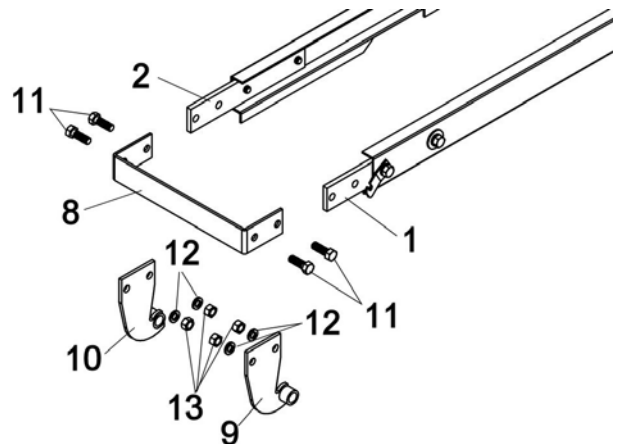
Secure on right hand side with two 1/2" x 1" hex. bolts (item 3), lock washers (item 4), flat washers 9/16" (item 5).

Put the spring hook (item 6) over the hole (item 7) on the left hand side, and secure with two hex. bolts 1/2" x 1" (item 3), two lock washers (item 4) and one flat washer 9/16" (item 5).

Install the bumper (item 8) supplied with this kit between the attaching flat bars (items 1 & 2) and install the left (item 9) and right (item 10) attaching plates.

Secure with two 1/2" x 1 1/2" hex. bolts (item 11), two lock nuts (item 12) and two hex nuts (item 13) on each side.

Do not tighten bolts.



Install bumper and attaching plates

ASSEMBLY

On the left hand side of the tractor, delicately drill the back wall of the hole (item 1) to a diameter of $\frac{13}{32}$ ".

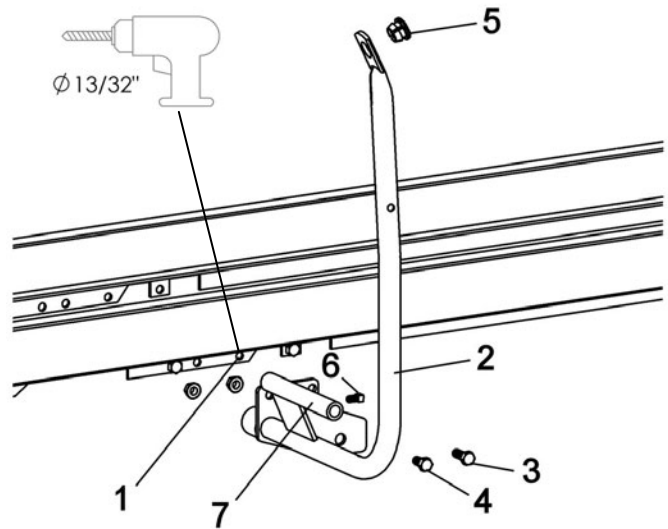
Be careful not to damage anything.

Place handle support (item 2) inside the tractor frame. Secure in place with one hex. bolt $\frac{3}{8}$ " x 1" (item 3), one hex. bolt $\frac{3}{8}$ " x $\frac{3}{4}$ " (item 4) and two flange nuts.

Do not tighten.

Install the plastic grommet (item 5) into the handle support.

Tighten the square head set screw (item 6) in the welded tube (item 7; cab support).



Install the handle support

On the right hand side of the tractor, delicately drill the back wall of the hole (item 1) to a diameter of $\frac{13}{32}$ ".

Be careful not to damage anything.

Slide the nylon bushing (item 2), flange first, down the lift arm (item 3) to the fork (item 4).

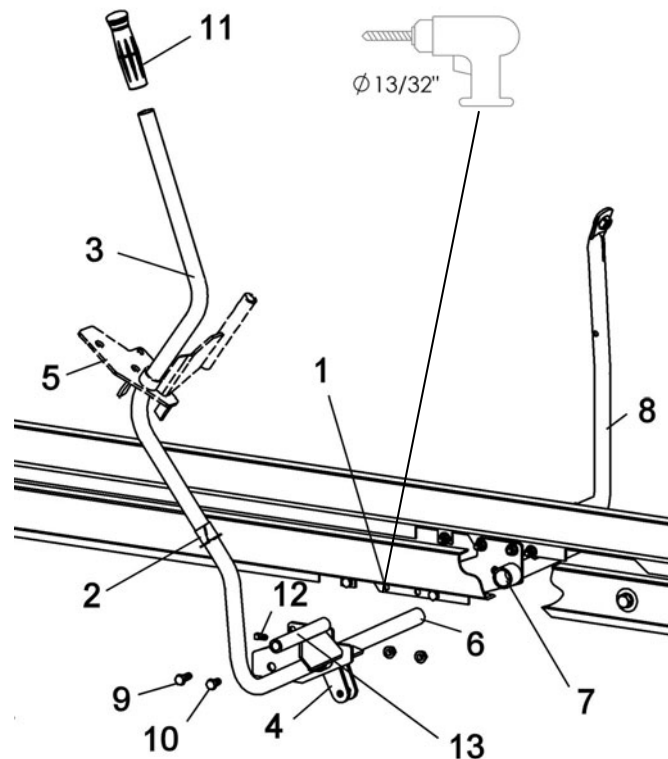
Slide the right rear support (item 5) down the lift arm and onto the nylon bushing.

Place the lift arm assembly under the tractor by inserting the end of the lift arm (item 6) into the sleeve (item 7) welded on the handle support (item 8).

Secure the right rear support (item 5) inside the tractor frame with one hex. bolt $\frac{3}{8}$ " x 1" (item 9), one hex. bolt $\frac{3}{8}$ " x $\frac{3}{4}$ " (item 10) and two flange nuts.

Install the handgrip (item 11) as shown.

Tighten the square head set screw (item 12) in the welded tube (item 13; cab support).



Install the lift arm

ASSEMBLY

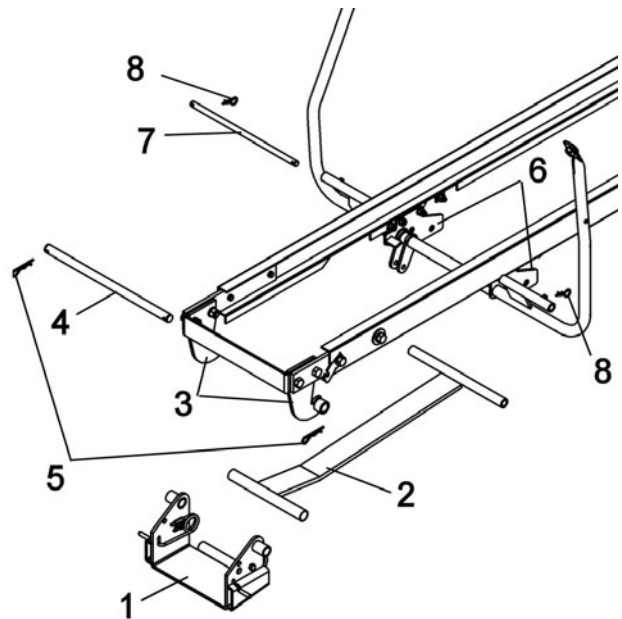
Install the pivot support (item 1) and the brace arm (item 2) between the attaching plates (item 3). Hold in place with the 3/4" pin (item 4) as shown. Secure in place with two 3 mm hair pins (item 5).

NOTE: If the drive mechanism needs to be installed, do not secure the rear end of the brace arm.

Lift the other end of the brace arm (item 2) between the two rear supports (item 6) and insert the 1/2" pin (item 7).

Secure in place with two 2.5 mm hair pins (item 8).

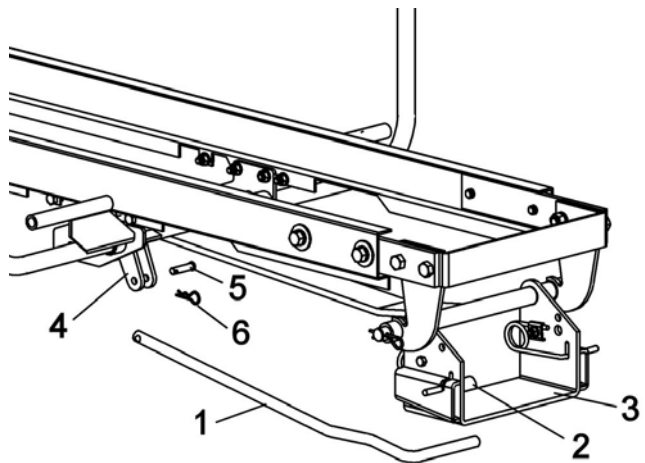
Tighten all bolts firmly.



Install brace arm

Install the push bar (item 1) by sliding the bent end into the welded sleeve (item 2) at the bottom of the pivot support (item 3) and the other end into the fork of the lift arm (item 4).

Secure in place with one pin (item 5) and one 2.5 mm hair pin (item 6).



Install push bar

ASSEMBLY

STEP 2 DRIVE MECHANISM INSTALLATION :

NOTE: Remove mower deck and mower deck support from the tractor to install the drive mechanism. See the tractor's manual.

If not already done, remove the pin (item 1) and lower the brace arm (item 2).

Place the drive mechanism (item 3) under the tractor. Lift and hold the drive mechanism between the rear supports (item 4).

Insert the pin (item 5) through the holes (item 6) on the supports and drive mechanism as shown.

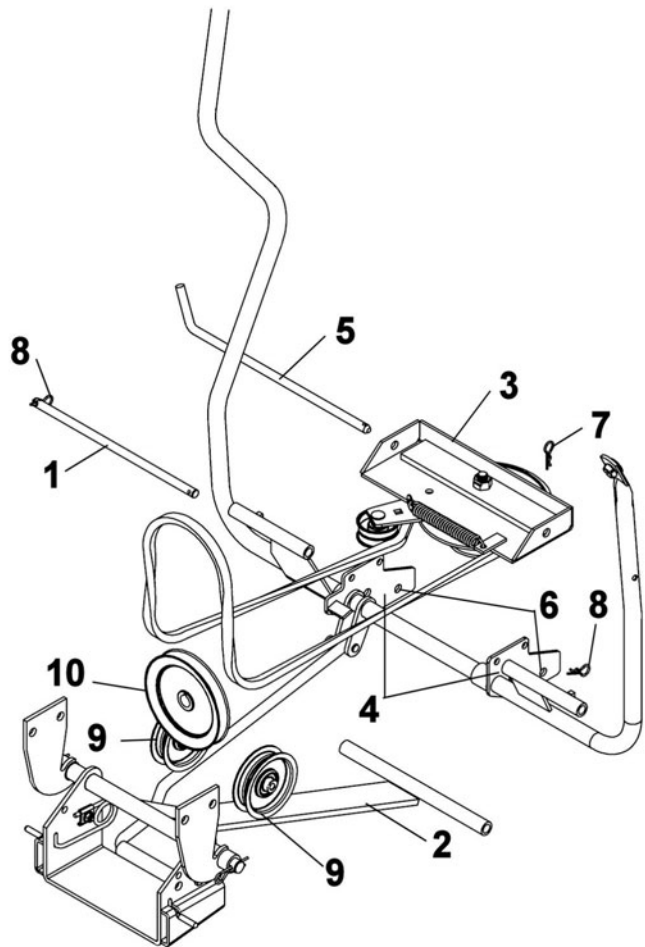
Secure with a 2.5 mm hair pin (item 7).

Lift the brace arm in-between the two strands of the belt.

Secure the brace arm (item 2) with pin (item 1) and two hair pins 2.5 mm (item 8).

Route the belt under the "V" pulleys (item 9) of the tractor, then over the engine pulley (item 10).

Make sure the belt does not touch the belt guide.



Install drive mechanism

ASSEMBLY

COMPACT DRIVE MECHANISM (700265-4):

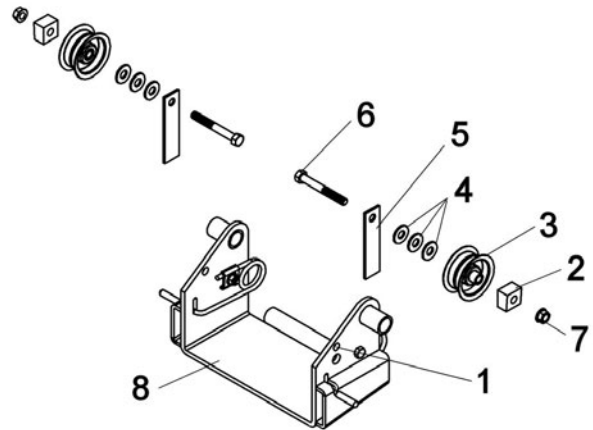
THIS PROCEDURE APPLIES ONLY TO THE COMPACT DRIVE MECHANISM.

In the hole (item 1), on the inner left hand side of the pivot support (item 8), pile up the following: one spacer (item 2), one flat pulley (item 3), three flat washers (item 4), one belt guide (item 5).

Secure in place with one hex. bolt $3/8'' \times 3''$ (item 6) and one flange nut (item 7)

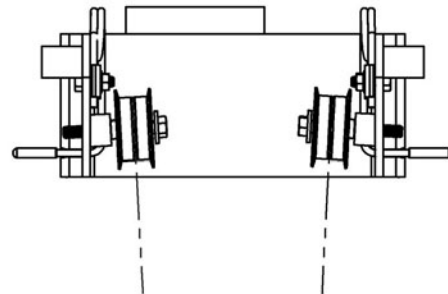
Tighten securely.

Repeat this procedure on the right hand side.



Install flat pulleys from **compact** mechanism

Make sure the flat pulleys are "closing in" toward the front when viewed from above.



Top view of flat pulleys "closing in" toward the front



WARNING



TO PREVENT INJURIES:

It is the person who installs the drive mechanism responsibility to make sure that when the clutch is disengaged that all moving parts stop.

For more information, do not hesitate to contact the technical support.

ASSEMBLY

STEP 3

SNOWBLOWER INSTALLATION:

Refer to Snowblower owner's manual, parts breakdown section for their identification.



WARNING



FOR YOUR SECURITY:

Read the Snowblower's owner's manual for safety precautions and rules.
Follow the assembly and operation instructions.



WARNING



TO PREVENT INJURIES:

Stop the motor.
Apply parking brake.
Remove the ignition key.
Disconnect the wire from the spark plug(s) and keep away from spark plug(s) to prevent accidental starting.

Attach the snowblower to the subframe as shown.

Make sure the snowblower is pushed in until locked into place by the springs (item 1).

Lift the snowblower by pulling the lift arm.

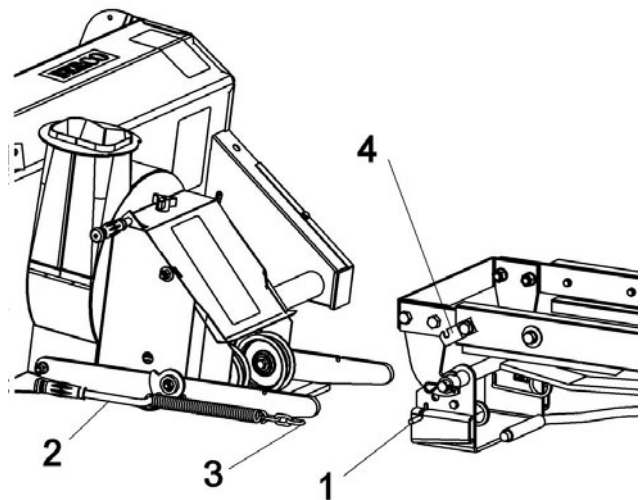
Turn the tension arm (item 2) towards the back.

Hook the chain (item 3; of the helper spring) on the spring hook (item 4) intended for this purpose.

Readjust the angle of the spring hook as needed.

Turn the tension arm towards the front to apply tension on the spring.

Lower the snowblower.



Install snowblower

ASSEMBLY

Remove belt guard.

Install the belt (item 7) around the pulleys of the snowblower as shown.

For the compact drive mechanism, the belt goes under the pulleys (item 5; phantom lines) of the pivot support.

Install the belt on the drive mechanism pulley (item 6) under the tractor.

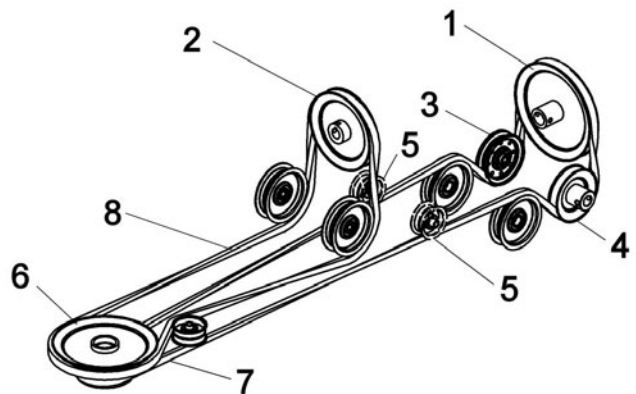
Apply tension on the belt by pulling up the belt tension arm.

Reinstall the belt guard.

NOTE: See belt replacement instructions in the maintenance section of the snowblower owner's manual.

VERIFY BELT ROUTING:

- Remove belt guard.
- Lower the snowblower to the ground and let it run for a few seconds under supervision.
- Disengage the snowblower and stop the engine.
- Check the belts to make sure they are well inserted on the pulleys and have not flipped on their sides in the pulleys and that they do not touch the belt guides.
- Reinstall the belt guard.



- Item 1: Snowblower pulley
- Item 2: Tractor engine pulley
- Item 3: V pulley L.H.
- Item 4: V pulley R.H.
- Item 5: Flat pulleys (**compact drive mechanism only**)
- Item 6: Drive mechanism pulley
- Item 7: Snowblower belt
- Item 8: Drive belt

Install V-belt and belt guard

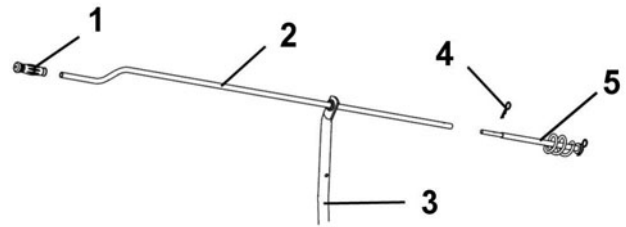


ASSEMBLY

Insert the handgrip (item 1) on the handle (item 2).

Insert the handle (item 2) through the support (item 3) as shown.

Insert the handle (item 2) in the rotation worm (item 5) and secure with a 2.5 mm hair pin (item 4).

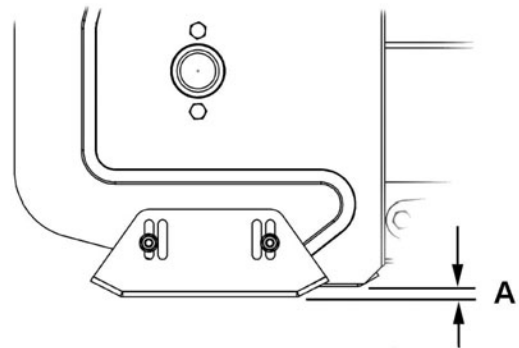


Install handle

VERIFY SKID SHOE ADJUSTMENT:

LEVEL PAVED SURFACE: Adjust skid shoes to allow 3/16" to 1/4" clearance (A) between cutting edge and surface.

UNEVEN OR GRAVEL SURFACE: Adjust skid shoes to allow 1/2" to 5/8" clearance (A) between cutting edge and surface.



Adjust skid shoes

VERIFY TIRE PRESSURE:

Check and adjust tractor tire pressure as follows:

Front tires:	Tire manufacturer max. pressure
Back tires:	7-8 psi

Tire pressure must be even on both sides of tractor.

ASSEMBLY

ROTARY BROOM INSTALLATION:

Refer to Rotary Broom owner's manual, parts breakdown section for their identification.



WARNING



FOR YOUR SECURITY:

Read the Rotary Broom owner's manual for safety precautions and rules.
Follow the assembly and operation instructions.



WARNING

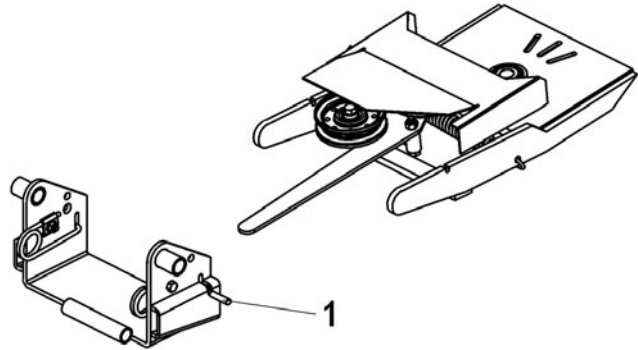


TO PREVENT INJURIES:

Stop the motor.
Apply parking brake.
Remove the ignition key.
Disconnect the wire from the spark plug(s) and keep away from spark plug(s) to prevent accidental starting.

Install the rotary broom to the subframe as shown.

Make sure the rotary broom is pushed in until locked into place by the springs (item 1).



Install rotary broom to subframe

BELT INSTALLATION:

NOTE: See belt replacement instructions in the maintenance section of the rotary broom owner's manual.

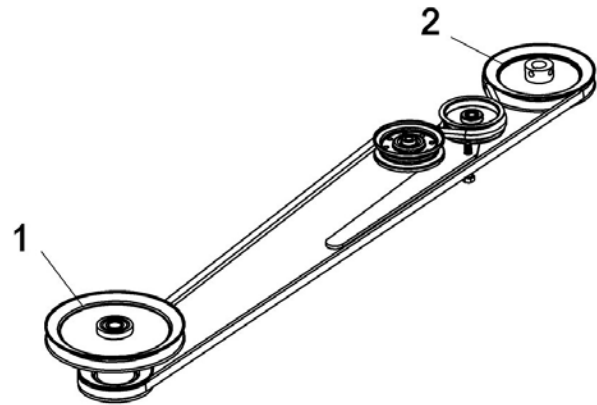
Remove the belt guard.

Install the belt on the drive mechanism pulley (item 1) as shown.

Put back in place the belt guard.

If installed, remove flat pulleys from pivot support (compact drive).

TIP: Because of strong tension in the spring and to facilitate installation of the belt, the broom must be on the ground.



Item 1: Drive mechanism pulley
Item 2: Rotary broom pulley



CAUTION



Never use the Rotary Broom without the belt guard.

VERIFY BELT ROUTING:

Install belt

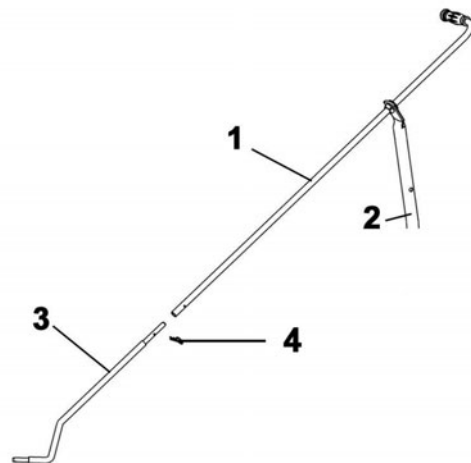
- Lower the rotary broom to the ground and let it run for a few seconds under supervision.
- Disengage the rotary broom and stop the engine.
- Check the belts to make sure they are well inserted on the pulleys and have not flipped on their sides in the pulleys and that they do not touch the belt guides.

ASSEMBLY

Insert handgrip on the handle.

Insert the handle (item 1) through the support (item 2) as shown.

Install the handle on the control rod (item 3) as shown and secure with a 2.5 mm hair pin (item 4).



Install handle

VERIFY TIRE PRESSURE:

Check and adjust tractor tire pressure as follows:

Front tires:	Tire manufacturer max. pressure
Back tires:	7-8 psi

Tire pressure must be even on both sides of the tractor.

ASSEMBLY

UTILITY BLADE INSTALLATION:

Refer to Utility Blade owner's manual, parts breakdown section for their identification.



WARNING

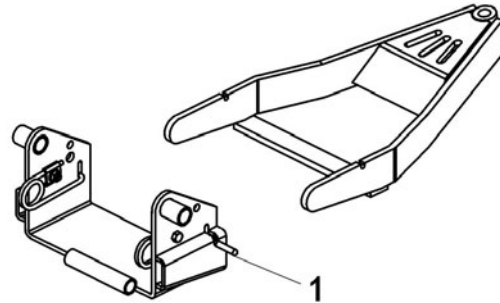


FOR YOUR SECURITY:

Read the Utility Blade owner's manual for safety precautions and rules.
Follow the assembly and operation instructions.

Install the blade to the subframe as shown.

Make sure the blade is pushed in until locked into place by the springs (item 1).

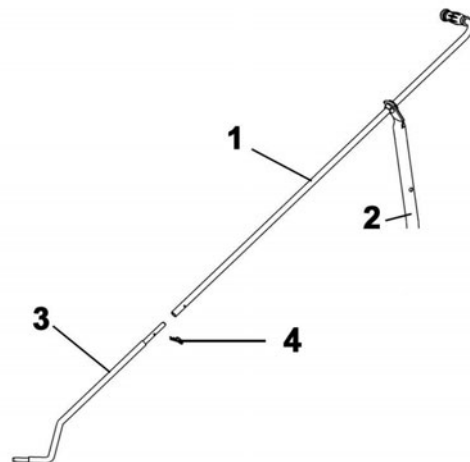


Install utility blade to subframe

Insert the handgrip on the handle.

Insert the handle (item 1) through the support (item 2) as shown.

Install the handle on the control rod (item 3) as shown and secure with a 2.5 mm hair pin (item 4).



Install handle

VERIFY TIRE PRESSURE:

Check and adjust tractor tire pressure as follows:

Front tires:	Tire manufacturer max Pressure.
Back tires:	7-8 psi

Tire pressure must be even on both sides of the tractor.

MAINTENANCE & DISMOUNTING

MAINTENANCE:

- a) Verify the mounting bolts at frequent intervals for proper tightness in order to prevent costly repairs. Make sure that your equipment is in safe working condition.
- b) Lubricate all pivoting points.

DRIVE MECHANISM DISMOUNTING:

NOTE: See attachment owner's manual (Snowblower, Utility Blade and Rotary Broom) for dismounting instructions.

- a) Dismount the attachment.
- b) Remove the counterweights when you are not using the attachment.
- c) Dismount the drive mechanism by removing the 1/2" pin. Lower it to the ground carefully. Remove the belt from the motor pulley .
- d) You may leave the subframe on the tractor all year long or remove it if preferred.
- e) Reinstall mower if needed.

END OF SEASON STORAGE:

- a) Clean and repaint all parts from which paint has worn off.
- b) Apply oil to all pivot points.
- c) Inspect and replace all defective parts before using again.

TORQUE SPECIFICATION TABLE

GENERAL TORQUE SPECIFICATION TABLE USE THE FOLLOWING TORQUES WHEN SPECIAL TORQUES ARE NOT GIVEN

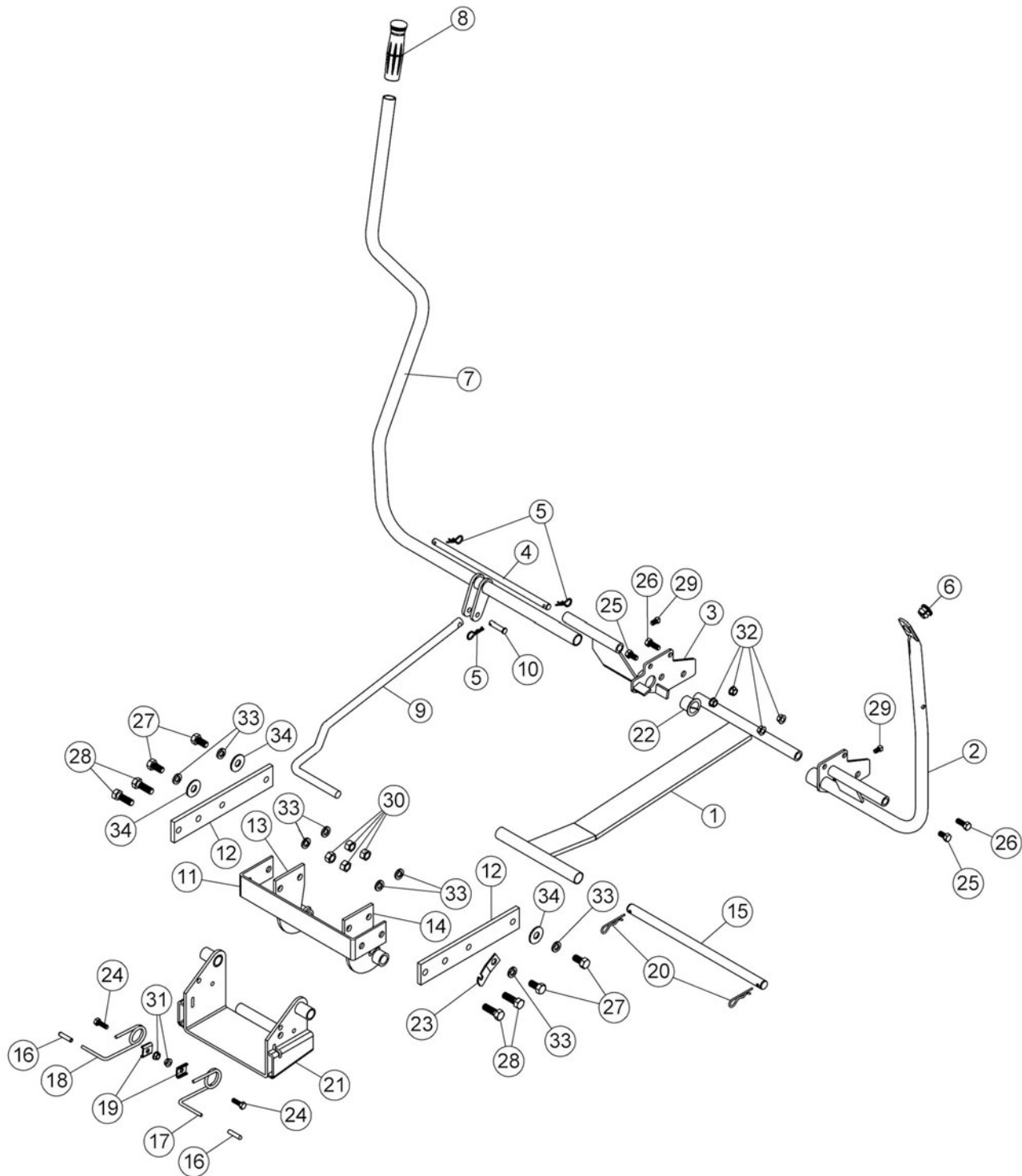
NOTE: These values apply to fasteners as received from supplier, dry or when lubricated with normal oil. They do not apply if special graphited or moly disulphide greases or other extreme pressure lubricants are used. This applies to both UNF and UNC threads.

* Thick nuts must be used with grade 8 bolts

SEE Grade No.		2				5				8 *			
BOLT HEAD IDENTIFICATION MARKS AS PER GRADE NOTE MANUFACTURING MARKS WILL VARY		TORQUE				TORQUE				TORQUE			
BOLT SIZE		FOOT POUNDS		NEW TON-METERS		FOOT POUNDS		NEW TON-METERS		FOOT POUNDS		NEW TON-METERS	
Inches	Millimetre	Min.	Max.	Min.	Max.	Min.	Max.	Min.	Max.	Min.	Max.	Min.	Max.
1/4"	6.35	5	6	6.8	8.13	9	11	12.2	14.9	12	15	16.3	30.3
5/16"	7.94	10	12	13.6	16.3	17	20.5	23.1	27.8	24	29	32.5	39.3
3/8"	9.53	20	23	27.1	31.2	35	42	47.5	57	45	54	61	73.2
7/16"	11.11	30	35	40.7	47.4	54	64	73.2	86.8	70	84	94.9	113.9
1/2"	12.7	45	52	61	70.5	80	96	108.5	130.2	110	132	149.2	179
9/16"	14.29	65	75	88.1	101.6	110	132	149.2	179	160	192	217	260.4
5/8"	15.88	95	105	128.7	142.3	150	180	203.4	244.1	220	264	298.3	358
3/4"	19.05	150	185	203.3	250.7	270	324	366.1	439.3	380	456	515.3	618.3
7/8"	22.23	160	200	216.8	271	400	480	542.4	650.9	600	720	813.6	976.3
1"	25.4	250	300	338.8	406.5	580	696	786.5	943.8	900	1080	1220.4	1464.5

METRIC BOLT TORQUE SPECIFICATIONS							
		COARSE THREAD			FINE THREAD		
Size Screw	Grade No.	Pitch (mm)	Foot Pounds	Newton-Meters	Pitch (mm)	Foot Pounds	Newton-Meters
M6	4T	1.00	3.6 - 5.8	4.9 - 7.9	-	-	-
	7T		5.8 - 9.4	7.9 - 12.7		-	-
	8T		7.2 - 10	9.8 - 13.6		-	-
M8	4T	1.25	7.2 - 14	9.8 - 19	1.00	12 - 17	16.3 - 23
	7T		17 - 22	23 - 29.8		19 - 27	25.7 - 36.6
	8T		20 - 26	27.1 - 35.2		22 - 31	29.8 - 42
M10	4T	1.50	20 - 25	27.1 - 33.9	1.25	20 - 29	27.1 - 39.3
	7T		34 - 40	46.1 - 54.2		35 - 47	47.4 - 63.7
	8T		38 - 46	51.5 - 62.3		40 - 52	54.2 - 70.5
M12	4T	1.75	28 - 34	37.9 - 46.1	1.25	31 - 41	42 - 55.6
	7T		51 - 59	69.1 - 79.9		56 - 68	75.9 - 92.1
	8T		57 - 66	77.2 - 89.4		62 - 75	84 - 101.6
M14	4T	2.00	49 - 56	66.4 - 75.9	1.50	52 - 64	70.5 - 86.7
	7T		81 - 93	109.8 - 126		90 - 106	122 - 143.6
	8T		96 - 109	130.1 - 147.7		107 - 124	145 - 168
M16	4T	2.00	67 - 77	90.8 - 104.3	1.50	69 - 83	93.5 - 112.5
	7T		116 - 130	157.2 - 176.2		120 - 138	162.6 - 187
	8T		129 - 145	174.8 - 196.5		140 - 158	189.7 - 214.1
M18	4T	2.00	88 - 100	119.2 - 136	1.50	100 - 117	136 - 158.5
	7T		150 - 168	203.3 - 227.6		177 - 199	239.8 - 269.6
	8T		175 - 194	237.1 - 262.9		202 - 231	273.7 - 313
M20	4T	2.50	108 - 130	146.3 - 176.2	1.50	132 - 150	178.9 - 203.3
	7T		186 - 205	252 - 277.8		206 - 242	279.1 - 327.9
	8T		213 - 249	288.6 - 337.4		246 - 289	333.3 - 391.6

PARTS BREAKDOWN SUBFRAME 700264-4

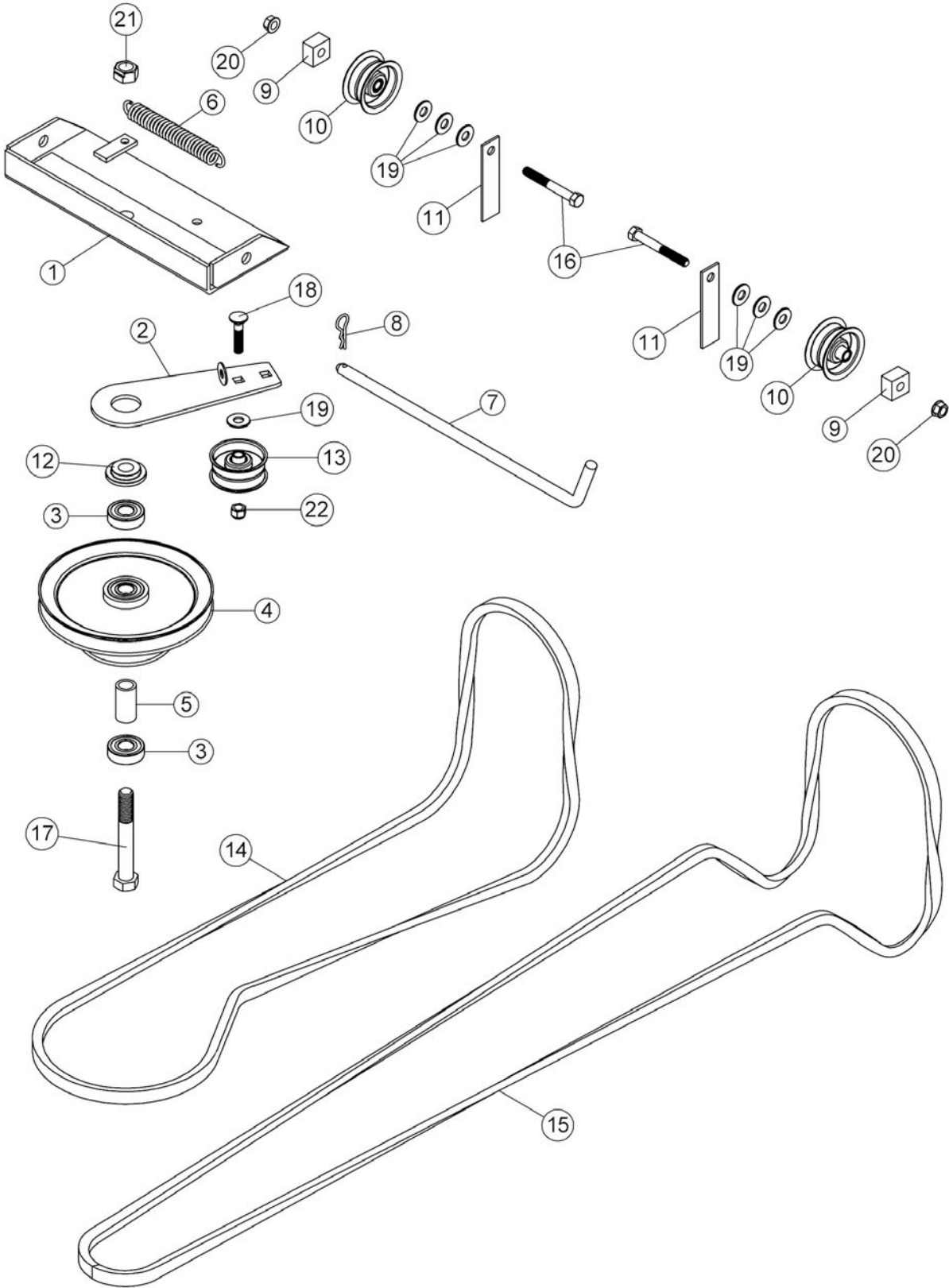


PARTS LIST SUBFRAME 700264-4

Ref. Réf.	English description	Description française	Qty. Qté.	Part # Pièce #
1	Brace arm	Bras de renfort	1	102807
2	Handle support	Support de manivelle	1	104570
3	Right rear support	Support arrière droit	1	104571
4	Pin	Goupille	1	102831
5	Hair pin 2.5mm	Goupille à ressort 2.5mm	3	102013
6	Plastic grommet	Oeillet de plastique	1	102063
7	Lift arm	Bras de relevage	1	102832
8	Handgrip	Poignée de plastique	1	102025
9	Push bar	Barre de poussée	1	104567
10	Pin	Goupille	1	102772
11	Bumper	Pare-chocs	1	102830
12	Attaching flat bar	Fer plat d'attache	2	102435
13	Right attaching plate	Plaque d'attache droite	1	104569
14	Left attaching plate	Plaque d'attache gauche	1	104568
15	Pivot pin	Goupille de pivot	1	102833
16	Handgrip	Poignée	2	102248
17	Left spring lock	Ressort de barrure gauche	1	102208
18	Right spring lock	Ressort de barrure droit	1	102209
19	Spring bracket	Fixation du ressort	2	102210
20	Hair pin 3mm	Goupille à ressort 3mm	2	102617
21	Pivot support	Support de pivot	1	102643
22	Nylon bushing	Coussinet en nylon	1	103087
23	Spring hook	Crochet de ressort	1	104565
24	Hex. bolt 5/16" n.c. x 1"	Boulon hex. 5/16" n.c. x 1"	2	O/L
25	Hex. bolt 3/8" n.c. x 3/4"	Boulon hex. 3/8" n.c. x 3/4"	2	O/L
26	Hex. bolt 3/8" n.c. x 1"	Boulon hex. 3/8" n.c. x 1"	2	O/L
27	Hex. bolt 1/2" n.c. x 1"	Boulon hex. 1/2" n.c. x 1"	4	O/L
28	Hex. bolt 1/2" n.c. x 1 1/2"	Boulon hex. 1/2" n.c. x 1 1/2"	4	O/L
29	Square head set screw 5/16" n.c. x 1/2"	Vis à pression à tête carrée 5/16" n.c. x 1/2"	2	O/L
30	Hex. nut 1/2" n.c.	Écrou hex. 1/2" n.c.	4	O/L
31	Flange nut 5/16" n.c.	Écrou à bride 5/16" n.c.	2	O/L
32	Flange nut 3/8" n.c.	Écrou à bride 3/8" n.c.	4	O/L
33	Lock washer 1/2"	Rondelle de blocage 1/2"	8	O/L
34	Flat washer 9/16" hole	Rondelle plate 9/16" trou	3	O/L

O/L = Obtain locally/obtenir localement

**PARTS BREAKDOWN
COMPACT DRIVE MECHANISM (700265-4)**

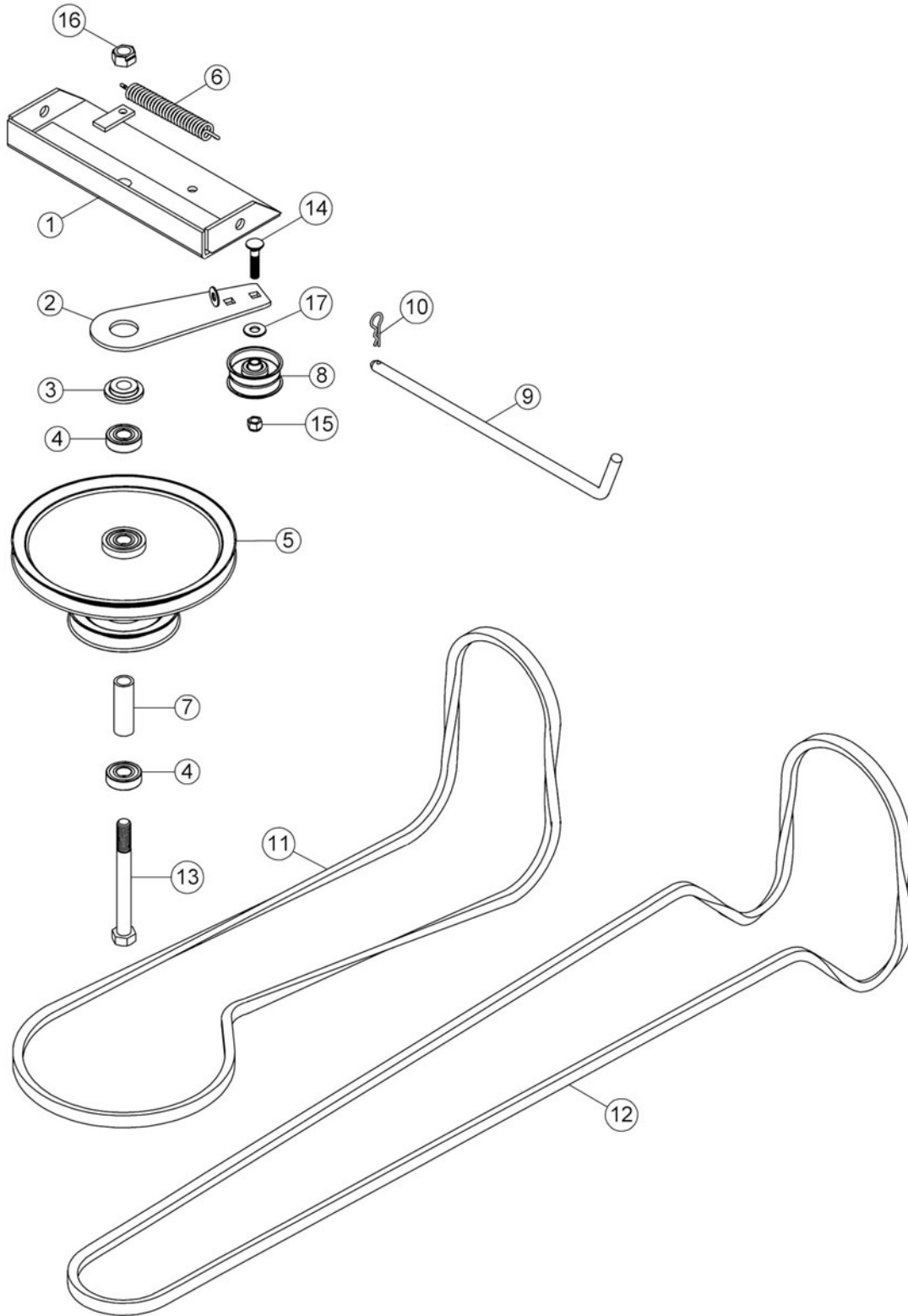


PARTS LIST COMPACT DRIVE MECHANISM (700265-4)

Ref. Réf.	English description	Description française	Qty. Qté.	Part # Pièce #
1	Drive frame	Châssis d'entraînement	1	105634
2	Idler arm	Bras de tension	1	105633
3	Ball bearing	Roulement à billes	2	102736
4	Double pulley inc. 102736 & 102835	Poulie double inc. 102736 & 102835	1	102823
5	Sleeve	Douille	1	102835
6	Spring	Ressort	1	102592
7	Pin	Goupille	1	102754
8	Hair pin 2.5mm	Goupille à ressort 2.5mm	1	102013
9	Spacer	Espaceur	2	103514
10	Flat pulley	Poulie plate	2	102795
11	Belt guide	Guide-courroie	2	103515
12	Flange washer	Rondelle à bride	1	102969
13	Flat pulley	Poulie plate	1	102057
14	V-Belt , B-91	Courroie en V , B-91	1	102842
15	V-Belt, B-112	Courroie en V, B-112	1	103010
16	Hex. bolt 3/8" n.c. x 3"	Boulon hex. 3/8" n.c. x 3"	2	O/L
17	Hex. bolt 5/8" n.c. x 4 1/2"	Boulon hex. 5/8" n.c. x 4 1/2"	1	O/L
18	Carriage bolt 3/8" n.c. x 1 3/4"	Boulon à carrosserie 3/8" n.c. x 1 3/4"	1	O/L
19	Flat washer 7/16" hole	Rondelle plate 7/16" trou	7	O/L
20	Flange nut 3/8" n.c.	Écrou à bride 3/8" n.c.	2	O/L
21	Stover lock nut 5/8" n.c.	Écrou de blocage 5/8" n.c.	1	O/L
22	Nylon insert lock nut 3/8" n.c.	Écrou à garniture de nylon 3/8" n.c.	1	O/L

O/L = Obtain locally/obtenir localement

PARTS BREAKDOWN NORTHEAST DRIVE MECHANISM (700443-1)

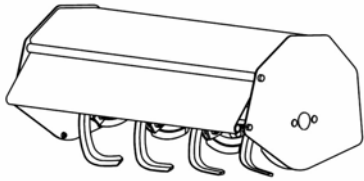


PARTS LIST
NORTHEAST DRIVE MECHANISM (700443-1)

Ref. Réf.	English description	Description française	Qty. Qté.	Part # Pièce #
1	Drive frame	Châssis d'entraînement	1	105634
2	Idler arm	Bras de tension	1	105633
3	Flange washer	Rondelle à bride	1	102969
4	Ball bearing	Roulement à billes	2	102736
5	Double pulley inc. 102736 & 103035	Poulie double inc. 102736 & 103035	1	103040
6	Spring	Ressort	1	102592
7	Sleeve	Douille	1	102782
8	Flat pulley	Poulie plate	1	102057
9	Pin	Goupille	1	102754
10	Hair pin 2.5mm	Goupille à ressort 2.5mm	1	102013
11	V-Belt , B-96	Courroie en V , B-96	1	104573
12	V-Belt , B-118	Courroie en V , B-118	1	104044
13	Hex. bolt 5/8" n.c. x 6"	Boulon hex. 5/8" n.c. x 6"	1	O/L
14	Carriage bolt 3/8" n.c. x 1 3/4"	Boulon à carrosserie 3/8" n.c. x 1 3/4"	1	O/L
15	Nylon insert lock nut 3/8" n.c.	Écrou à garniture de nylon 3/8" n.c.	1	O/L
16	Stover lock nut 5/8" n.c.	Écrou de blocage 5/8" n.c.	1	O/L
17	Flat washer 7/16" hole	Rondelle plate 7/16" trou	1	O/L

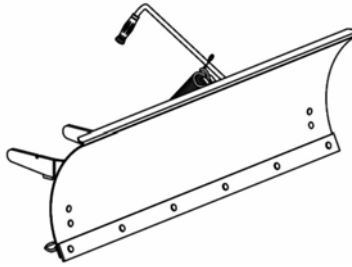
O/L = Obtain locally/obtenir localement

ATTACHMENTS



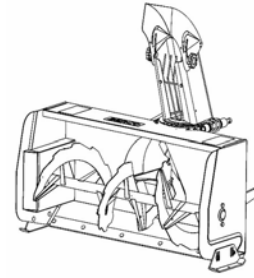
ROTARY TILLER #700312

Mounts to the rear of lawn, yard & garden tractors 14 to 25 HP. Comes complete with drive & manual lift mechanisms & mounting hardware.



UTILITY BLADE #700266

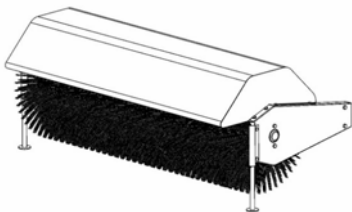
Mounts on the same subframe as the snowblower & rotary broom.



SNOWBLOWER

#700255-40"
#700374-44"
#700378-48"

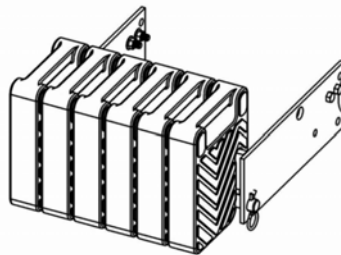
Fits on same subframe as rotary broom and utility blade.



ROTARY BROOM

#700380 with nylon brush
#700381 with polypropylene brush.

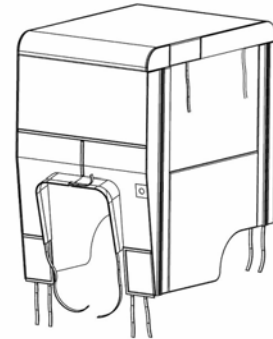
Fits on same subframe as snowblower & utility blade. Requires an adaptor.



COUNTERWEIGHT

According to tractor model

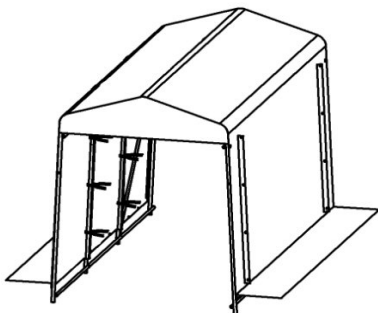
Required for safety and traction. Counterbalances weight of attachment



TRACTOR WINTER CAB

#700271 34"
#700423 40"

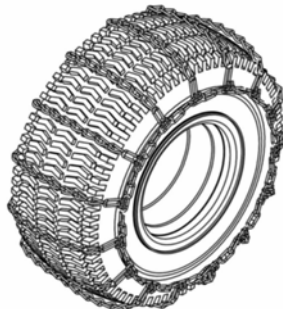
Universal type fits on a wide variety of lawn and garden tractors.



WINTER SHELTER #700438

Perfect to protect the tractors, A.T.Vs and snowmobiles from the weather.

Dimensions: 5'W x 12'L x 7' 8"H.



TIRE CHAINS

Two link spacing. Required for traction and safety.

Pkg. of 2



***WHEN PERFORMANCE
& DEPENDABILITY
ARE NON NEGOTIABLE!***

Bercomac Limitée
92, Fortin North, Adstock, Quebec, Canada, G0N 1S0

WWW.BERCOMAC.COM

PRINTED IN CANADA