



OWNER'S MANUAL
Model Number

700266-2



BERCO
48" Utility Blade
for
LAWN & GARDEN
Tractors

* ASSEMBLY
* OPERATION

* REPAIR PARTS
* MAINTENANCE

CAUTION:

**READ & FOLLOW ALL SAFETY RULES & INSTRUCTIONS BEFORE
OPERATING YOUR EQUIPMENT**



LIMITED WARRANTY

Conditions and Products Covered:

BERCOMAC guarantees any part of the product or accessory manufactured by BERCOMAC and found in the reasonable judgment of BERCOMAC to be defective in material and or workmanship will be repaired or replaced by an authorized dealer without charge up to our maximum labor rates and pre-established times. For replacement parts only standard ground freight services are covered. This warranty extends to the original retail purchaser only and is not transferable to any subsequent purchasers.

Warranty Period

(from date of the original retail purchase)

- Residential use: 1 year
- Semi-commercial, professional or rental use: 90 days

Exceptions Noted Below; the following items are guaranteed by the original manufacturer and have their own warranty, conditions and limited time:

- Tire Chains: 90 days
- Engines (installed in factory on BERCO equipment): 2 years
- Engines (sold separately): Validate with the dealer.
Please refer to the engine manufacturer's warranty statement included with the unit. BERCOMAC is not authorized to handle warranty adjustments on engines.

Items and Conditions NOT Covered:

This warranty does not cover the following:

- Pick-up or delivery charges or in-home services fees.
- Any damage or deterioration of the unit, parts and or finish of these due to normal use, wear and tear, or exposure.
- Cost of regular use or maintenance service or parts, such as gas, oil, lubricants, tune-up parts, and adjustments.
- Any part or accessory which has been altered, modified, misused, neglected, accidentally damaged or not properly installed, maintained, stored or repaired not in accordance with the instructions in the owner's manual.
- Repair due to normal wear and or any wear items such as shear pins, bolts, belts, etc.
- Expedited freight fee services for replacement parts.
- Shear bolts and shear pins are to be considered as a preventive measure not as an assured protection, any damages resulting from the lack of shear bolts breakage are not covered.

NOTE: All warranty work must be performed by an authorized dealer using original (manufacturer) replacement parts.

NOTE: Bercomac reserves the right to change or improve the design of any part or accessory without assuming any obligation to modify any product previously manufactured.

Instructions for Obtaining Warranty Services:

Contact dealer where equipment was purchased or any other BERCOMAC service dealer to arrange service at their dealership. To locate a dealer convenient to you, access our website at www.bercomac.com. Don't forget to bring the product and your proof of purchase (sales receipt) to the BERCOMAC dealer.

Owner's Responsibilities:

BERCOMAC's defective equipment or part must be returned to an authorized dealer within the warranty period for repairs. In the event that defective merchandise must be returned to manufacturer for repairs, freight fees are prepaid and a written authorization from BERCOMAC must be obtained by dealer prior to the shipment. This warranty extends only to equipment operated under normal conditions. To validate a warranty claim, it is the user's responsibility to maintain and service the unit as specified in the owner's manual or to have the unit serviced at their dealer at their expense.

General Conditions:

The sole liability of BERCOMAC with respect to this warranty shall be strictly and exclusively repair and replacement as mentioned herein. BERCOMAC shall not have any liability for any other costs, loss or damage, including but not limited to, any incidental or consequential loss or damage.

In particular, without being limited to, BERCOMAC shall have no liability or responsibility for:

- Travel time, overtime, after hours time or other extraordinary repair charges or relating to repairs and or replacements outside of normal business hours.
- Rental of like or similar replacement equipment during the period of any, repair or replacement work.
- Any communicating or travel charges.
- Loss or damage to person or property other than that covered by the terms of this warranty.
- Any claims for lost revenue, lost profit or any similar costs as a result of damage or repair.
- Attorney's fees.

BERCOMAC's responsibility in respect to claims is limited to making the required repairs or replacement without charge up to our maximum labor rates and pre-established times and no claim of breach of warranty shall be cause for cancellation or rescission of the contract of sale of any product or accessory.

This warranty gives you specific legal rights. You may also have other rights, which vary from state to state.

TABLE OF CONTENTS

	PAGE
INTRODUCTION	2
SAFETY PRECAUTIONS	3
SAFETY DECALS	5
ASSEMBLY	
Step 1: Utility Blade Preparation	6
Step 2: Utility Blade Installation	7
OPERATION	
Raising or Lowering the Utility Blade	8
Adjusting the Angle of the Utility Blade	8
Trip Spring System	8
MAINTENANCE & DISMOUNTING	
Maintenance	9
Utility Blade Dismounting	9
End of Season Storage	9
PARTS BREAKDOWN AND LISTS	
Utility Blade	10
TORQUE SPECIFICATION TABLE	12
ATTACHMENTS	13

INTRODUCTION

TO THE PURCHASER

This new accessory was carefully designed to give years of dependable service. This manual has been provided to assist in the safe operation and servicing of your attachment.

NOTE: All photographs and illustrations in the manual may not necessarily depict the actual models or attachment, but are intended for reference only and are based on the latest product information available at the time of publication.

Familiarize yourself fully with the safety recommendations and operating procedures before putting the machine to use. Carefully read, understand and follow these recommendations and insist that they be followed by those who will use this attachment.



THIS SAFETY ALERT SYMBOL IDENTIFIES AN IMPORTANT SAFETY MESSAGE IN THIS MANUAL THAT HELPS YOU AND OTHERS AVOID PERSONAL INJURY OR EVEN DEATH. DANGER, WARNING, AND CAUTION ARE SIGNAL WORDS USED TO IDENTIFY THE LEVEL OF HAZARD. HOWEVER, REGARDLESS OF THE HAZARD, BE EXTREMELY CAREFUL.

DANGER: Signals an extreme hazard that will cause serious injury or death if recommended precautions are not followed.

WARNING: Signals a hazard that may cause serious injury or death if the recommended precautions are not followed.

CAUTION: Signals a hazard that may cause minor or moderate injury if the recommended precautions are not followed.

Record your attachment serial number and purchase date in the section reserved below (there is no serial number on the subframe). Your dealer requires this information to give you prompt, efficient service when ordering replacement parts. Use only genuine parts when replacements are required.

If warranty repairs are required please present this registration booklet and original sales invoice to your selling dealer for warranty service.

**This manual should be kept for future reference.
Please check if you have received all the parts for your kit with the list of the bag and the list of the box.**

SERIAL NUMBER : (IF APPLICABLE)	
MODEL NUMBER:	
PURCHASE DATE :	



SAFETY PRECAUTIONS



Careful operation is your best insurance against an accident. Read this section carefully before operating the vehicle and accessory. This accessory is capable of amputating hands and feet and throwing objects. Failure to observe the following safety instructions could result in serious injury. All operators, no matter how experienced they may be, should read this and other manuals related to the vehicle and accessory before operating. It is the owner's legal obligation to instruct all operators in safe operation of the accessory.

GLOSSARY:

In this manual, right and left sides are determined by sitting on the seat of the vehicle facing forward.

In this manual, "accessories" means attachments (snowblower, rotary broom, blade etc.) that you install on the vehicle (lawn tractors, A.T.V. s etc).

TRAINING:



This symbol, "Safety Alert Symbol", is used throughout this manual and on the accessory's safety labels to warn of the possibility of serious injury. Please take special care in reading and understanding the safety precautions before operating the vehicle and accessory.

1. Read this owner's manual carefully. Be thoroughly familiar with the controls and proper use of the vehicle and accessory. Know how to stop the unit and disengage the controls quickly.
2. Never allow children to operate the vehicle nor the accessory. Never allow adults to operate the vehicle nor the accessory without proper instructions.
3. No one should operate the vehicle nor the accessory while intoxicated or while taking medication that impairs the senses or reactions.
4. Keep the area of operation clear of all people, particularly small children and pets.

PREPARATION:

1. Thoroughly inspect the area where the accessory is to be used and remove door mats, all foreign objects and the like.
2. For motorized accessories, disengage all clutches and shift into neutral before starting engine.
3. Do not operate the accessory without wearing adequate winter outer garments. Avoid loose fitting clothing that can get caught in moving parts. Wear footwear that will improve footing on slippery surfaces.

4. Handle fuel with care, it is highly flammable.

- a) Use approved fuel container.
 - b) Never add fuel to a running engine or hot engine.
 - c) Fill fuel tank outdoors with extreme care. Never fill fuel tank indoors.
 - d) Never fill containers inside a vehicle, or on a truck or a trailer bed with a plastic liner. Always place containers on the ground, away from your vehicle, before filling.
 - e) When practical, remove gas-powered equipment from the truck or trailer and refuel it on the ground. If this is not possible, then refuel such equipment on a trailer with a portable container, rather than from a gasoline dispenser nozzle.
 - f) Keep the nozzle in contact with the rim of the fuel tank or container opening at all times, until refueling is complete. Do not use a nozzle lock-open device.
 - g) Replace fuel cap securely and wipe up spilled fuel.
 - h) If fuel is spilled on clothing, change clothing immediately.
5. Never attempt to make any adjustments while the engine (motor) is running (except when specifically recommended by manufacturer).
 6. Let the vehicle and accessory adjust to outdoor temperatures before starting to clear snow.
 7. Never use an accessory without proper guards, plates, or other safety protective devices in place
 8. Always make sure to wear the appropriate safety equipment required (glasses, muffs, mask...) for each type of product. See operation section.
 9. Always make sure of having safe traction on the vehicle by using the recommended accessories (chains, A.T.V. tracks, counterweights...). See operation section.
 10. **Never modify the accessory or any part without the written consent from the manufacturer.**



SAFETY PRECAUTIONS



OPERATION:

1. Do not put hands or feet near, under or inside rotating parts.
2. Exercise extreme caution when operating on or crossing gravel drives, walks or roads. Stay alert for hidden hazards or traffic. Do not carry passengers.
3. After striking a foreign object, stop the engine (motor), disconnect the wire from the spark plug(s) and keep wire away to prevent accidental starting. Thoroughly inspect the accessory for any damage and repair damage before restarting and using the accessory.
4. If the unit should start to vibrate abnormally, stop the engine (motor) and check immediately for the cause. Vibration is generally a warning of trouble.
5. Take all possible precautions when leaving the vehicle unattended. Disengage the power take-off, lower the attachment, place the transmission into neutral, set the parking brake, stop the engine and remove the contact key.
6. Do not run the engine indoors, except when starting the engine and for transporting in or out of the building. Do not operate or let motor run in a storage area without ventilation because gas contains carbon monoxide which is odorless, colorless and can cause death.
7. Never clean across the face of slopes, go from top to bottom. Exercise extreme caution when using equipment on slopes. Do not attempt to clear a steep slope.
8. Never tolerate bystanders in the working zone. Never use an accessory in the direction of bystanders, it might throw gravel or debris that can hurt people or damage property.
9. Never operate the accessory at high transport speeds on slippery surfaces. Use care when backing up.
10. Do not carry passengers.
11. Disengage power to the accessory when it is transported or not in use.
12. Never operate the accessory without good visibility or light.

14. Keep the accessory away from heat sources or flames.

MAINTENANCE AND STORAGE

1. When cleaning, repairing or inspecting the vehicle and accessory, make certain that all moving parts have stopped. Disconnect wire from the spark plug(s) and keep wire away to prevent accidental starting.
2. Check all the bolts and components at frequent intervals to make sure that they are properly tightened.
3. Never store a motorized accessory with fuel in the fuel tank inside a building where ignition sources are present such as hot water and space heaters, clothes dryers, and the like. Allow the engine to cool before storing in any enclosure.
4. Always refer to the owner's manual when you store the accessory and vehicle for a prolonged or an unspecified length of time.
5. Maintain or replace safety and instruction labels, as necessary.
6. For winter accessories, (if applicable), let the engine run for a few minutes after clean snow in order to prevent the rotary parts from freezing.
7. Inspect the vehicle's and accessory's air filter every day. Clean it or replace it as necessary. Change the oil more often when working in dusty conditions. See the vehicle's and accessory's owner's manual.



**THIS SYMBOL MEANS
DANGER !
BECOME ALERT !
YOUR SAFETY IS INVOLVED !**



SAFETY DECALS



REPLACE IF DECALS ARE DAMAGED
SEE PARTS BREAKDOWN FOR DECAL LOCATION

⚠ WARNING

TO AVOID PERSONAL INJURY:

- READ & FOLLOW INSTRUCTIONS AND SAFETY PRECAUTIONS IN OWNER'S MANUAL BEFORE OPERATING.
- DO NOT POSITION YOUR FEET UNDER BLADE.
- KEEP OTHERS AWAY WHEN OPERATING OR ADJUSTING BLADE.
- DO NOT ALLOW PASSENGERS ON BLADE OR TRACTOR.

⚠ ATTENTION

POUR ÉVITER DES BLESSURES:

- LIRE ATTENTIVEMENT LE MANUEL DU PROPRIÉTAIRE ET SUIVRE LES INSTRUCTIONS D'OPÉRATION ET DE SÉCURITÉ AVANT D'UTILISER L'ÉQUIPEMENT.
- NE PAS PLACER VOS PIEDS SOUS LA LAME.
- GARDEZ TOUTE PERSONNE HORS D'ATTEINTE DE LA LAME LORS DE L'UTILISATION OU DE L'AJUSTEMENT.
- NE TOLÉREZ AUCUN PASSAGER SUR LE TRACTEUR OU LA LAME.

103165

DECAL #103165

ASSEMBLY

STEP 1

UTILITY BLADE PREPARATION:

IMPORTANT: TORQUE ALL BOLTS ACCORDING TO TORQUE SPECIFICATION TABLE (SEE TABLE OF CONTENTS) WHEN STATED: TIGHTEN FIRMLY. REFER TO PARTS BREAKDOWN SECTION FOR THEIR IDENTIFICATION.

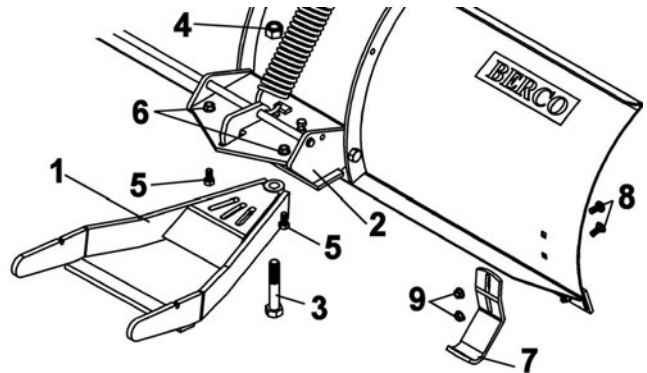
Install the push frame (item 1) to the attaching frame (item 2) with a 5/8 x 3 1/2" hex bolt (item 3) and a nylon insert lock nut (item 4).

Do not tighten too much so that the push frame moves freely.

Insert the 3/8 x 3/4" hex bolts (item 5) as shown, the heads from underneath and the flange nuts (item 6) on top.

Tighten firmly.

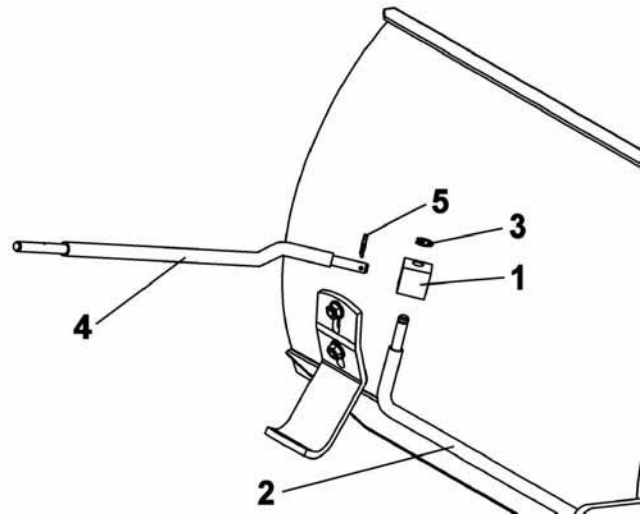
Install the skid shoes (item 7) to the back of the blade, as shown with four 5/16 x 3/4" carriage bolts (item 8). Secure the bolts with four flange nuts (item 9).



Prepare blade

Install the joint block (item 1) on the latch (item 2) and hold in place with a retaining ring (item 3).

Install the control rod (item 4) on the joint block (item 1) and secure with a 2.5 mm hair pin (item 5).



Install control rod

ASSEMBLY

STEP 2

UTILITY BLADE INSTALLATION:

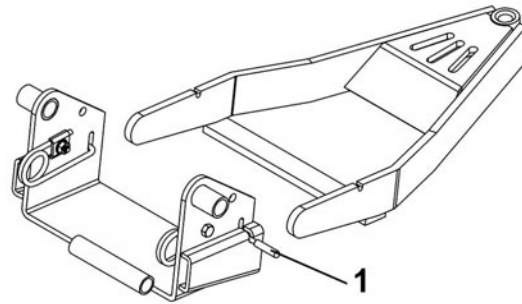


WARNING



TO PREVENT INJURIES:

Stop the motor.
Apply parking brake.
Remove the ignition key.



Attach the utility blade to the subframe as shown.

Make sure the blade is pushed in until locked into place by the springs (item 1).

Attaché the blade

Install the plastic handgrip on the handle.

Insert the handle (item 1) into the support (item 2) as shown.

Install the handle (item 1) on the control rod (item 3) as shown and secure with a 2.5 mm hair pin (item 4).

VERIFY TIRE PRESSURE:

Check and adjust tractor tire pressure as follows:

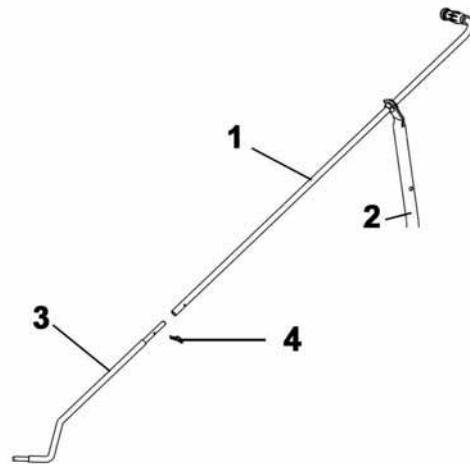
Front tires: 20-25 psi

Back tires: 8-10 psi

Tire pressure must be even on both sides of the tractor.

ADJUST SKID SHOES:

On a level surface, raise the utility blade off the ground and insert some shims to the desired height under the blade, lower the blade on the shims. Loosen the bolts that hold the skid shoes and slide them down to the ground in order to get the desired height. Tighten the nuts firmly.



Install handle

NOTE: The two skid shoes must be adjusted to the same height.

OPERATION

RAISING OR LOWERING THE UTILITY BLADE:

The manual lift arm for raising and lowering the utility blade is located on the right hand side of the tractor. To raise the blade, pull back on the lift arm. To lower the blade, push the lift arm slowly towards the front.

ADJUSTING THE ANGLE OF THE UTILITY BLADE:

The handle that allows to adjust the angle of the blade is located on the left hand side of the tractor, close to the steering wheel. To adjust the angle, turn the handle counter-clockwise to unlock the latch. Push or pull the handle to adjust the blade to the desired angle.

TRIP SPRING SYSTEM:

The blade was designed to topple forward when striking solid objects. Once the blade clears the obstacle, it will spring back to its normal operating position, therefore, protecting the operator and tractor from any impacts that might occur.



WARNING



Read the tractor Owner's Manual carefully. Be thoroughly familiar with the controls & proper use of the attachment.



WARNING



TO PREVENT INJURIES AND FOR MORE TRACTION WHEN USING THE ATTACHMENT:

- Rear counterweight of 100 lbs. minimum is required to counterbalance attachment's weight.
- Tractor manufacturer approved tire chains are required.
- Do not operate on a slope greater than 10°.
- When dismounting the attachment remove rear counterweights.

MAINTENANCE & DISMOUNTING



WARNING



TO PREVENT INJURIES:
Stop the motor.
Apply parking brake.
Remove the ignition key.

MAINTENANCE:

- a) Verify the mounting bolts at frequent intervals for proper tightness in order to prevent costly repairs. Make sure that your equipment is in safe working condition.
- b) Lubricate all pivoting points.

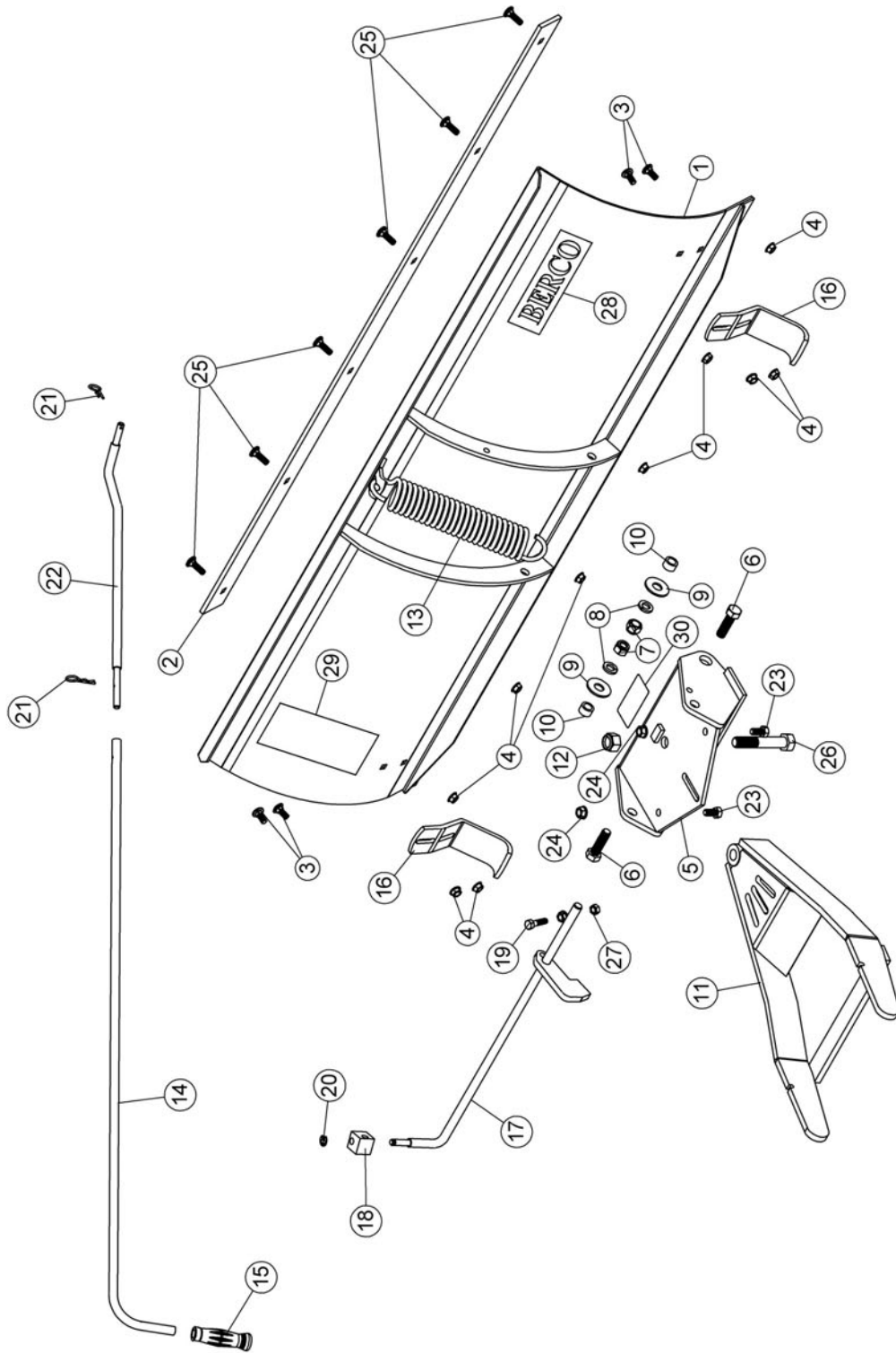
UTILITY BLADE DISMOUNTING:

- a) Remove rear counterweights.
- b) Straighten and lower the utility blade. Remove the hair pin from the handle and remove the handle.
- c) Detach the blade from the subframe by lifting the spring locks one side at a time and pull out the blade.

END OF SEASON STORAGE:

- a) Clean and repaint all parts from which the paint has worn off.
- b) Inspect and replace all defective parts before using next season.
- c) Store the blade in a dry place.

PARTS BREAKDOWN UTILITY BLADE 700266-2



PARTS LIST UTILITY BLADE 700266-2

Ref. Réf.	English description	Description française	Qty. Qté.	Part # Pièce #
1	Blade	Lame	1	102856
2	Cutting edge 48"	Racloir 48"	1	102854
3	Carriage bolt 5/16" n.c. x 3/4"	Boulon à carrosserie 5/16" n.c. x 3/4"	4	O/L
4	Flange nut 5/16" n.c.	Écrou à bride 5/16" n.c.	10	O/L
5	Attaching frame	Châssis d'attache	1	103142
6	Hex. bolt 1/2" n.c. x 1 3/4"	Boulon hex. 1/2" n.c. x 1 3/4"	2	O/L
7	Nylon Insert lock Nut 1/2" n.c.	Écrou à garniture de nylon 1/2" n.c.	2	O/L
8	Lock washer 1/2"	Rondelle de blocage 1/2"	2	O/L
9	Flat washer 9/16" hole	Rondelle plate 9/16" trou	2	O/L
10	Bushing	Coussinet	2	102225
11	Push frame	Châssis de poussée	1	103147
12	Nylon insert lock nut 5/8" n.c.	Écrou à garniture de nylon 5/8" n.c.	1	O/L
13	Spring	Ressort	1	102918
14	Handle	Poignée	1	102292
15	Handgrip	Poignée	1	102062
16	Skid shoe	Patin	2	102227
17	Latch	Loquet	1	103578
18	Joint block	Bloc de joint	1	102275
19	Hex. bolt 5/16" n.c. x 1 1/4"	Boulon hex. 5/16" n.c. x 1 1/4"	1	O/L
20	Retaining ring	Bague de retenue	1	102378
21	Hair pin 2.5mm	Goupille à ressort 2.5mm	2	102013
22	Control rod	Tige de contrôle	1	102228
23	Hex. bolt 3/8" n.c. x 3/4"	Boulon hex. 3/8" n.c. x 3/4"	2	O/L
24	Flange nut 3/8" n.c.	Écrou à bride 3/8" n.c.	2	O/L
25	Carriage bolt 5/16" n.c. x 1"	Boulon à carrosserie 5/16" n.c. x 1"	6	O/L
26	Hex. bolt 5/8" n.c. x 3 1/2"	Boulon hex. 5/8" n.c. x 3 1/2"	1	O/L
27	Hex. nut 5/16" n.c.	Écrou hex. 5/16" n.c.	1	O/L
28	Berco decal	Décalque Berco	1	102471
29	Warning decal	Décalque attention	1	103165
30	Serial number	Numéro de série	1	REF

O/L = Obtain Locally

TORQUE SPECIFICATION TABLE

GENERAL TORQUE SPECIFICATION TABLE USE THE FOLLOWING TORQUES WHEN SPECIAL TORQUES ARE NOT GIVEN

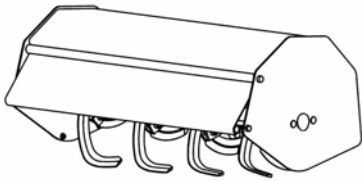
NOTE: These values apply to fasteners as received from supplier, dry or when lubricated with normal oil. They do not apply if special graphited or moly disulphide greases or other extreme pressure lubricants are used. This applies to both UNF and UNC threads.

* Thick nuts must be used with grade 8 bolts

SEE Grade No.		2				5				8 *			
BOLT HEAD IDENTIFICATION MARKS AS PER GRADE NOTE MANUFACTURING MARKS WILL VARY		TORQUE				TORQUE				TORQUE			
BOLT SIZE		FOOT POUNDS		NEWTON-METERS		FOOT POUNDS		NEWTON-METERS		FOOT POUNDS		NEWTON-METERS	
Inches	Millimetre	Min.	Max.	Min.	Max.	Min.	Max.	Min.	Max.	Min.	Max.	Min.	Max.
1/4"	6.35	5	6	6.8	8.13	9	11	12.2	14.9	12	15	16.3	30.3
5/16"	7.94	10	12	13.6	16.3	17	20.5	23.1	27.8	24	29	32.5	39.3
3/8"	9.53	20	23	27.1	31.2	35	42	47.5	57	45	54	61	73.2
7/16"	11.11	30	35	40.7	47.4	54	64	73.2	86.8	70	84	94.9	113.9
1/2"	12.7	45	52	61	70.5	80	96	108.5	130.2	110	132	149.2	179
9/16"	14.29	65	75	88.1	101.6	110	132	149.2	179	160	192	217	260.4
5/8"	15.88	95	105	128.7	142.3	150	180	203.4	244.1	220	264	298.3	358
3/4"	19.05	150	185	203.3	250.7	270	324	366.1	439.3	380	456	515.3	618.3
7/8"	22.23	160	200	216.8	271	400	480	542.4	650.9	600	720	813.6	976.3
1"	25.4	250	300	338.8	406.5	580	696	786.5	943.8	900	1080	1220.4	1464.5

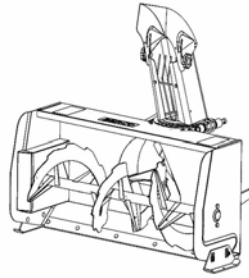
METRIC BOLT TORQUE SPECIFICATIONS							
		COARSE THREAD			FINE THREAD		
Size Screw	Grade No.	Pitch (mm)	Foot Pounds	Newton-Meters	Pitch (mm)	Foot Pounds	Newton-Meters
M6	4T	1.00	3.6 - 5.8	4.9 - 7.9	-	-	-
	7T		5.8 - 9.4	7.9 - 12.7		-	-
	8T		7.2 - 10	9.8 - 13.6		-	-
M8	4T	1.25	7.2 - 14	9.8 - 19	1.00	12 - 17	16.3 - 23
	7T		17 - 22	23 - 29.8		19 - 27	25.7 - 36.6
	8T		20 - 26	27.1 - 35.2		22 - 31	29.8 - 42
M10	4T	1.50	20 - 25	27.1 - 33.9	1.25	20 - 29	27.1 - 39.3
	7T		34 - 40	46.1 - 54.2		35 - 47	47.4 - 63.7
	8T		38 - 46	51.5 - 62.3		40 - 52	54.2 - 70.5
M12	4T	1.75	28 - 34	37.9 - 46.1	1.25	31 - 41	42 - 55.6
	7T		51 - 59	69.1 - 79.9		56 - 68	75.9 - 92.1
	8T		57 - 66	77.2 - 89.4		62 - 75	84 - 101.6
M14	4T	2.00	49 - 56	66.4 - 75.9	1.50	52 - 64	70.5 - 86.7
	7T		81 - 93	109.8 - 126		90 - 106	122 - 143.6
	8T		96 - 109	130.1 - 147.7		107 - 124	145 - 168
M16	4T	2.00	67 - 77	90.8 - 104.3	1.50	69 - 83	93.5 - 112.5
	7T		116 - 130	157.2 - 176.2		120 - 138	162.6 - 187
	8T		129 - 145	174.8 - 196.5		140 - 158	189.7 - 214.1
M18	4T	2.00	88 - 100	119.2 - 136	1.50	100 - 117	136 - 158.5
	7T		150 - 168	203.3 - 227.6		177 - 199	239.8 - 269.6
	8T		175 - 194	237.1 - 262.9		202 - 231	273.7 - 313
M20	4T	2.50	108 - 130	146.3 - 176.2	1.50	132 - 150	178.9 - 203.3
	7T		186 - 205	252 - 277.8		206 - 242	279.1 - 327.9
	8T		213 - 249	288.6 - 337.4		246 - 289	333.3 - 391.6

ATTACHMENTS & OPTIONS



ROTARY TILLER #700312

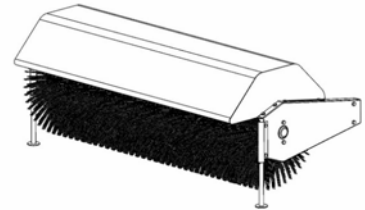
Mounts to the rear of lawn & garden tractors 14 to 25 HP. Comes complete with drive & manual lift mechanisms & mounting hardware.



SNOWBLOWER

- #700210 40"
- #700211 44"
- #700255 40"
- #700374 44"
- #700378 48"

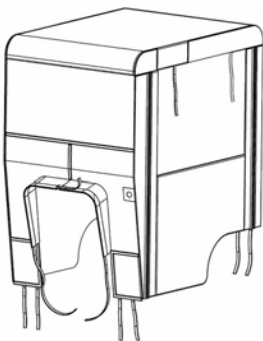
Fits on same subframe as rotary broom and utility blade.



ROTARY BROOM

- #700380 with nylon brush
- #700381 with polypropylene brush.

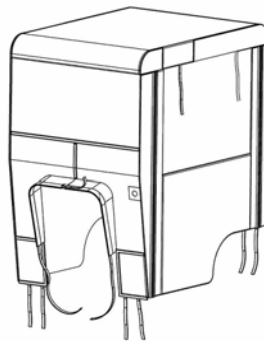
Fits on same subframe as snowblower & utility blade. Requires an adaptor.



TRACTOR WINTER CAB

- #700271 34"
- #700423 40"

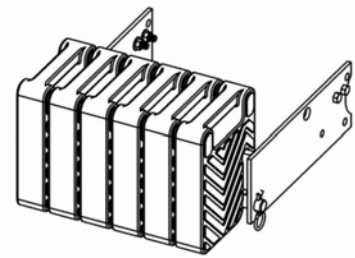
Universal type fits on a wide variety of lawn and garden tractors.



TRACTOR SCREEN CAB

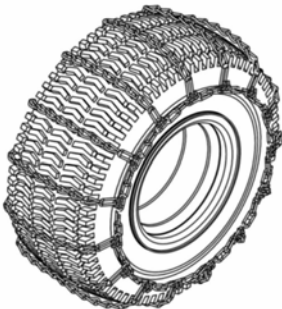
- #700313 34"
- #700424 40"

Universal type fits on a wide variety of lawn and garden tractors.



COUNTERWEIGHT

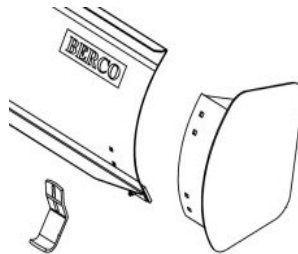
Model # according to tractor
Required for safety and traction.
Counterbalances weight of attachment.



TIRE CHAINS

Two link spacing. Required for traction and safety.

Pkg. of 2



SIDES FOR BLADE

- #700437

Allows to plow more snow with accuracy.



*WHEN PERFORMANCE
& DEPENDABILITY
ARE NON NEGOTIABLE!*

Bercomac Limitée
92, Fortin North, Adstock, Quebec, Canada, G0N 1S0

WWW.BERCOMAC.COM

PRINTED IN CANADA