

**BERCOMAC**  
LIMITÉE

## OWNER'S MANUAL

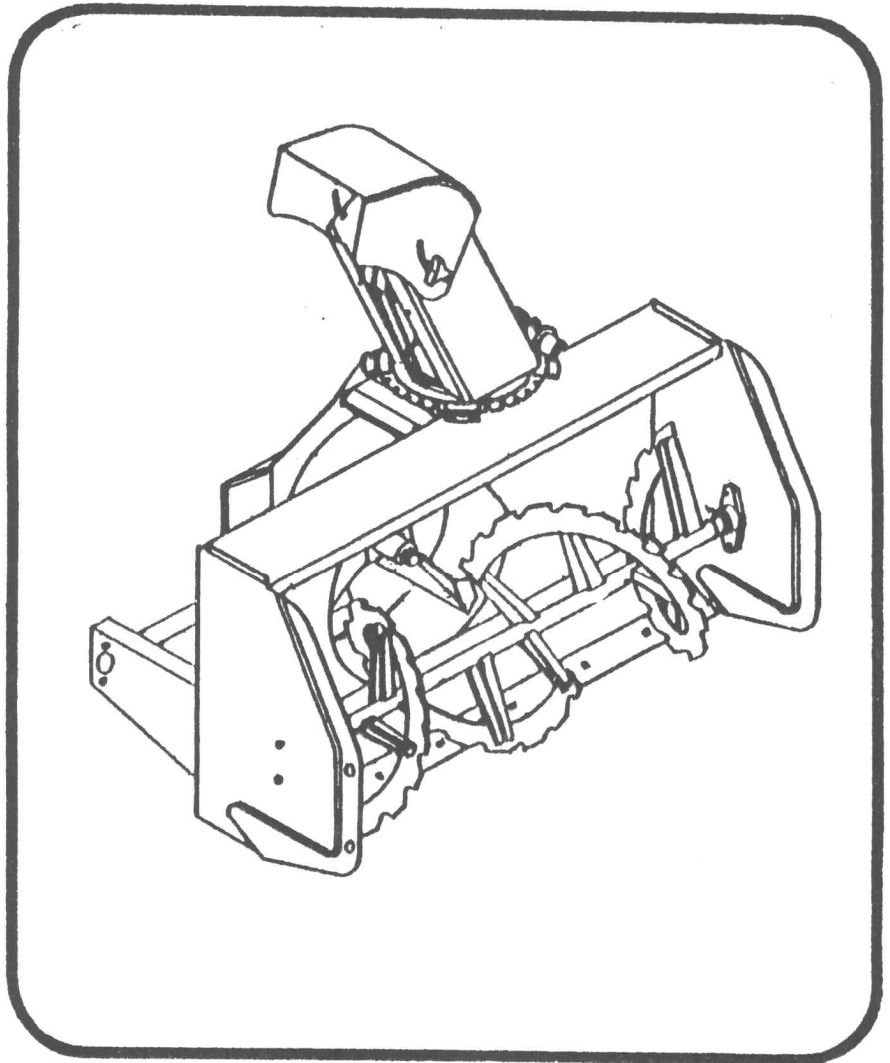
MODEL NUMBER  
**700273**

**CAUTION:**

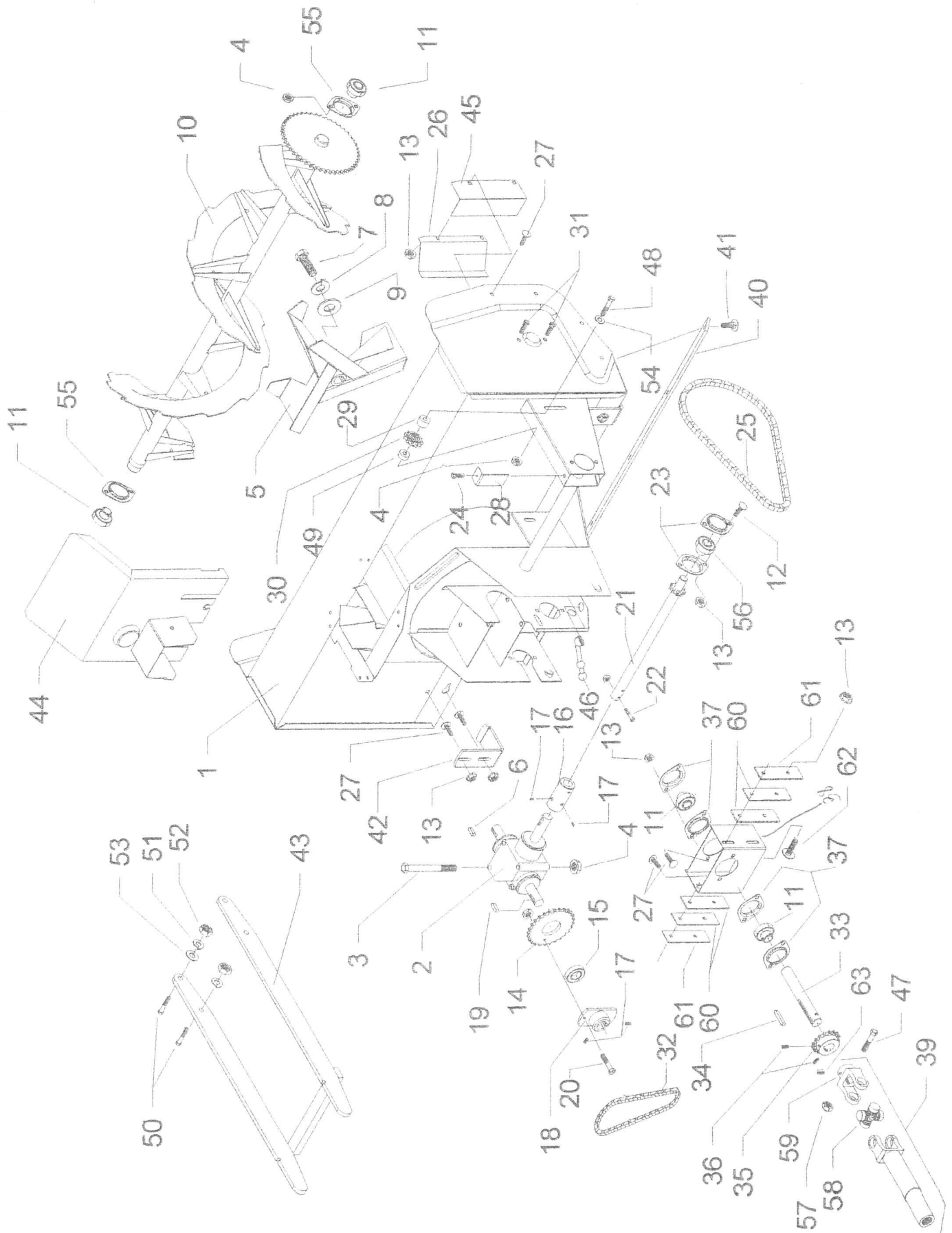
Read and Follow  
All Safety Rules  
and Instructions  
Before Operating  
Your Equipment

- \* ASSEMBLY
- \* OPERATION
- \* MAINTENANCE
- \* REPAIR PARTS

102933



**BERCO**  
**Two-Stage**  
**44" Snowblower**  
For Tractors with  
2000 R.P.M. P.T.O. Drive



## SNOWBLOWER HEAD

REF	DESCRIPTION	QTY	PART NO.
1	Frame (snowblower 44").....	1	102560
2	Gear box .....	1	102091
3	Bolt 3/8 X 4" .....	3	O/L
4	Flange nut 3/8" .....	8	O/L
5	Fan assembly.....	1	102001
6	Key 8mm X 7mm X 35mm.....	1	102035
7	Bolt 8mm X 1.25 X 25mm.....	1	O/L
8	Lock washer 5/16".....	1	O/L
9	Flat washer 3/8" dia. hole.....	1	O/L
10	Auger (snowblower 44").....	1	102100
11	Flushmount bearing 1.00".....	4	102755
12	Bolt 5/16 X 3/4" .....	2	O/L
13	Flange nut 5/16" .....	16	O/L
14	Sprocket.....	1	102921
15	Bearing.....	1	102095
16	Shear sleeve .....	1	102097
17	Set screw allen 5/16 X 5/16".....	4	O/L
18	Shear plate.....	1	102142
19	Key 8mm X 7mm X 20mm.....	2	102030
20	Impeller shear bolt (5mm X .8 X 40mm) with nylon nut .....	1	102146
21	Drive shaft (snowblower 44").....	1	102096
22	Auger shear bolt (5mm X .8 X 45mm) with nylon nut .....	1	102038
23	Flangette .....	2	102212
24	Self tapping screw 1/4 X 1/2" .....	1	O/L
25	Chain roller no 40 X 92 links with connecting link.....	1	102022
-	Connecting link no 40 .....	-	102040
26	Chain guard .....	1	102010
27	Carriage bolt 5/16 X 3/4".....	16	O/L
28	Chain guard .....	1	102041
29	Spacer 21/32" .....	1	102242
30	Idler sprocket.....	1	102027
31	Bolt 3/8 X 3/4" .....	4	O/L
32	Chain roller no.40 x 38 links O-ring with connecting link .....	1	102924
33	Drive shaft.....	1	102148
34	Key 1/4 X 1/4 X 2".....	1	102922
35	Sprocket.....	1	102917
36	Set screw allen 1/4 X 1/4" .....	2	O/L
37	Flangettes .....	4	102213

Continued

**SNOWBLOWER HEAD (Continued)**

REF	DESCRIPTION	QTY	PART NO.
38	Reduction box .....	1	102925
39	Half P.T.O. assembly .....	1	102898
40	Cutting edge (snowblower 44") .....	1	102101
41	Lock nut 5/16" .....	6	O/L
42	Skid shoe .....	2	102015
43	Snowblower male hitch .....	1	102911
44	Reduction cover .....	1	102926
45	Reinforcing angle .....	1	102133
46	Rubber latch.....	1	102547
47	Hex bolt 1/4 x 2 1/2 ".....	1	O/L
48	Bolt 3/8 X 2" .....	1	O/L
49	Spacer 5/16" .....	1	102241
50	Hex bolt 7/16 X 1 1/4" .....	4	O/L
51	Lock washer 7/16".....	4	O/L
52	Nylon insert locknut 7/16" .....	4	O/L
53	Flat washer 1/2" dia. hole.....	1	O/L
54	Flat washer 7/16" dia. hole .....	1	O/L
55	Flangette .....	2	102680
56	Bearing 3/4" .....	1	102864
57	Nylon lock nut 1/4" .....	1	O/L
58	Universal joint kit.....	1	102928
59	Yoke 1" dia.....	1	102929
60	Rubber shim.....	4	102930
61	Fixation plate.....	2	102931
62	Carriage bolt 5/16 x 1" .....	4	O/L
63	Set screw 3/8 x 3/8" .....	1	O/L

\* O/L = Obtain locally

## ROTATION SYSTEM WITH CHUTE

REF	DESCRIPTION	QTY	PART NO
1	Chute and deflector.....	1	102058
2	Knob 5/16" .....	2	102020
3	Nylon flat washer 11/32" dia. hole.....	2	102009
4	Nylon flat washer 7/16" dia. hole.....	2	102011
5	Carriage bolt 5/16 X 3/4".....	2	O/L
6	Hand guard .....	1	102012
7	Flat washer 5/16" dia. hole.....	2	O/L
8	Flange nut 1/4".....	10	O/L
9	Retaining plate .....	4	102007
10	Bolt 1/4 X 1/2" .....	6	O/L
11	Bolt 1/4 X 3/4" .....	4	O/L
12	Worm support .....	1	102014
13	Rotation ring.....	1	102016
14	Plastic bushing 1 5/16".....	1	102060
15	Rotation worm (cw).....	1	102005
16	Plastic bushing 1 11/16".....	1	102059
17	Handle.....	1	102184
18	Handle grip.....	1	102062
19	Handle hook.....	1	102006
20	Hair pin 2.5 X 40mm .....	1	102013

O/L = Obtain locally

