



OWNER'S MANUAL
MODEL NUMBER

700279-2
700280

BERCO
Subframe & Drive Mechanism
for
JOHN DEERE LT SERIES
Tractors

* ASSEMBLY
* OPERATION

* REPAIR PARTS
* MAINTENANCE

CAUTION:

**READ & FOLLOW ALL SAFETY RULES & INSTRUCTIONS
BEFORE OPERATING YOUR EQUIPMENT**

WARRANTY

LIMITED ONE YEAR ON BERCO TRACTOR ATTACHMENTS

For one year from date of purchase, Bercomac Limitée will repair or replace free of charge at Bercomac's option, any parts which are defective as a result of defective materials or faulty workmanship.

COMMERCIAL OR RENTAL USE:

Warranty on Berco attachments used for commercial or rental purposes is limited to 90 days.

This warranty does NOT cover:

- * Wear items, such as shear pins and belts.
- * Repairs due to customer abuse or neglect.
- * Pre-delivery set-up.
- * In home service.

Warranty service is available by returning the "Berco" attachment to the authorized dealer.

BERCOMAC Limitée
46 Fortin N, Adstock, Québec, Canada, G0N 1S0

TABLE OF CONTENTS

	PAGE
INTRODUCTION	2
SAFETY PRECAUTIONS	3
ASSEMBLY	
Step 1: Subframe Installation	5
Step 2: Drive Mechanism Installation	8
Step 3: Snowblower Installation	10
Rotary Broom Installation	12
Utility Blade Installation	14
MAINTENANCE & DISMOUNTING	
Maintenance	15
Drive Mechanism Dismounting	15
Belt Replacement	15
End of Season Storage	15
PARTS BREAKDOWN AND LISTS	
Subframe	16
Drive Mechanism	18
TORQUE SPECIFICATION TABLE	20
ATTACHMENTS	21
TROUBLESHOOTING	
See attachment owner's manual for this section. (Snowblower, Utility Blade, Rotary Broom)	

INTRODUCTION

TO THE PURCHASER

This new attachment was carefully designed to give years of dependable service. This manual has been provided to assist in the safe operation and servicing of your attachment.

NOTE: All photographs and illustrations in the manual may not necessarily depict the actual models or attachment, but are intended for reference only and are based on the latest product information available at the time of publication.

Familiarize yourself fully with the safety recommendations and operating procedures before putting the machine to use. Carefully read, understand and follow these recommendations and insist that they be followed by those who will use this attachment.

9

THIS SAFETY ALERT SYMBOL IDENTIFIES AN IMPORTANT SAFETY MESSAGE IN THIS MANUAL THAT HELPS YOU AND OTHERS AVOID PERSONAL INJURY OR EVEN DEATH. DANGER, WARNING, AND CAUTION ARE SIGNAL WORDS USED TO IDENTIFY THE LEVEL OF HAZARD. HOWEVER, REGARDLESS OF THE HAZARD, BE EXTREMELY CAREFUL.

DANGER: Signals an extreme hazard that will cause serious injury or death if recommended precautions are not followed.

WARNING: Signals a hazard that may cause serious injury or death if the recommended precautions are not followed.

CAUTION: Signals a hazard that may cause minor or moderate injury if the recommended precautions are not followed.

Record your attachment serial number and purchase date in the section reserved below (there is no serial number on the subframe). Your dealer requires this information to give you prompt, efficient service when ordering replacement parts. Use only genuine parts when replacements are required.

If warranty repairs are required please present this registration booklet and original sales invoice to your selling dealer for warranty service.

This manual should be kept for future reference.

SERIAL NUMBER : _____

PURCHASE DATE : _____

In this manual, right and left sides are determined by sitting on the tractor seat facing forward.

In this manual, "attachment" means accessories that you install on the tractor, such as, snowblower, rotary broom, blade, rotary tiller, cab, subframe, etc...

SAFETY PRECAUTIONS

Careful operation is your best insurance against an accident. Read this section carefully before operating the tractor and attachment. All operators, no matter how experienced they may be, should read this and other manuals related to the tractor and attachments before operating. It is the owner's legal obligation to instruct all operators in safe operation.

TRAINING

9

This symbol, "Safety Alert Symbol", is used throughout this manual and on the attachment safety labels to warn of the possibility of personal injury. Please take special care in reading and understanding the safety precautions before operating the attachment or the tractor.

1. Read this Owner's Manual carefully. Be thoroughly familiar with the controls and proper use of the attachment. Know how to stop the unit and disengage the controls quickly.
2. Never allow children to operate attachment. Never allow adults to operate attachment without proper instructions.
3. No one should operate the unit while intoxicated or while taking medication that impairs the senses or reactions.
4. Keep the area of operation clear of all persons, particularly small children and pets.

PREPARATION

1. Disengage all clutches and shift into neutral before starting engine.
2. Handle fuel with care, it is highly flammable.
 - a) Use approved fuel container.
 - b) Never add fuel to a running engine or hot engine
 - c) Fill fuel tank outdoors with extreme care. Never fill fuel tank indoors.
 - d) Replace fuel cap securely and wipe up spilled fuel.
3. Never attempt to make any adjustments while engine is running (except where specifically recommended by manufacturer).

4. Always wear safety glasses or eye shields during operation or while performing an adjustment or repairs to protect eyes from foreign objects that may be thrown from the machine.

OPERATION

1. Do not run engine indoors except when starting engine and transporting attachment, in or out of building. Do not operate or let motor run in a storage area without ventilation because gas contains carbon monoxide which is odourless, colourless and can cause death.
2. Do not carry passengers on attachment or tractor.
3. Take all possible precautions when leaving the machine unattended. Lower the attachment, shift into neutral, set the parking brake, stop the engine and remove the key. Wait for all moving parts to stop.
4. You must use manufacturer approved rear counterweights, minimum 100 lbs., for better traction and safety at all times when you have an attachment installed in front.
5. Never operate the attachment without good visibility or light.

SAFETY PRECAUTIONS

MAINTENANCE AND STORAGE

1. Check shear bolts, mounting bolts, etc..., at frequent intervals for proper tightness to be sure attachment is in safe working condition.
2. Never store the machine with fuel in the tank inside a building where ignition sources are present, such as hot water tanks, space heaters, clothes dryers and the like. Allow engine to cool before storing in any enclosure.
3. Maintain or replace safety and instructions labels, as necessary.

WHENEVER YOU SEE THIS SYMBOL

9

IT MEANS:

WARNING!

BECOME ALERT !

YOUR SAFETY IS INVOLVED!

9

WARNING

9

FOR YOUR SECURITY:

Read the attachment owner's manual for safety precautions and rules.

Follow the assembly and operation instructions.

ASSEMBLY

STEP 1

SUBFRAME INSTALLATION:

IMPORTANT: TORQUE ALL BOLTS ACCORDING TO TORQUE SPECIFICATION TABLE (SEE TABLE OF CONTENTS) WHEN STATED: TIGHTEN FIRMLY. REFER TO PARTS BREAKDOWN SECTION FOR PARTS IDENTIFICATION.

NOTE: You can install this subframe with or without the mower on tractor. However, the mower must be removed in order to install the drive mechanism.

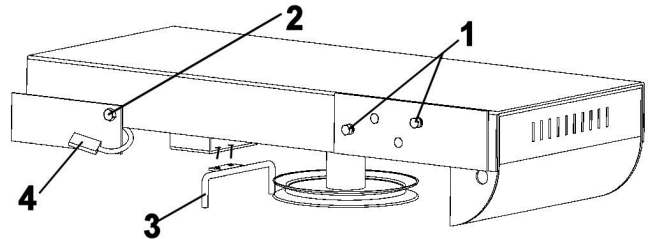
Remove the bolts (items 1 & 2) from each side of the frame.

Remove the original belt guide from tractor and replace it with the one (item 3) supplied with this kit using the same bolts already in place.

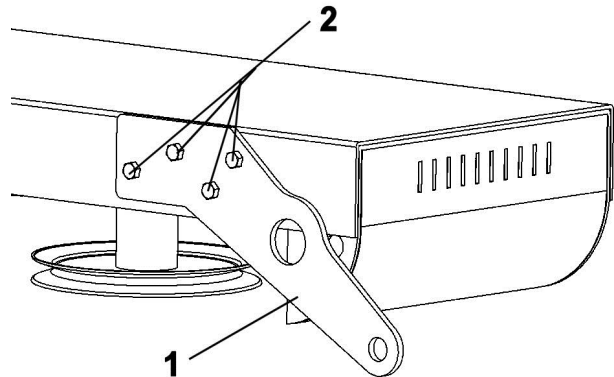
NOTE: Place the U-shaped rod towards the front.

Reinstall the original belt guide when the mower deck is reinstalled.

Disconnect wire from safety switch (item 4).



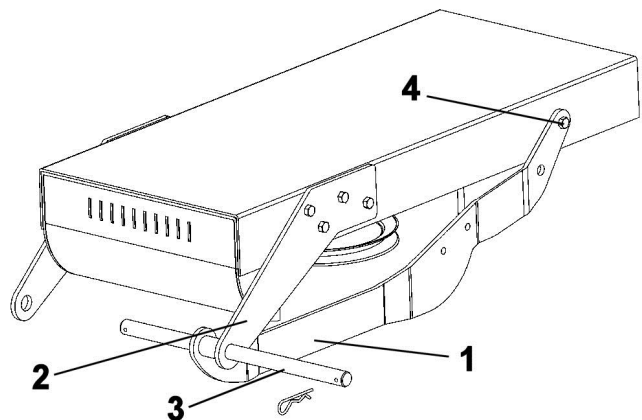
Install the front supports (item 1) with four 5/16 x 1" hex bolts (item 2) and flange nuts on each side. The right front support has an extra hole for the exhaust. Do not tighten yet.



Install front supports

Install the left rear support (item 1) inside the front support (item 2) with a 3/4" Ø pin (item 3).

Secure the rear end with a 5/16 x 1" hex bolt (item 4) and flange nut. Do not tighten yet.



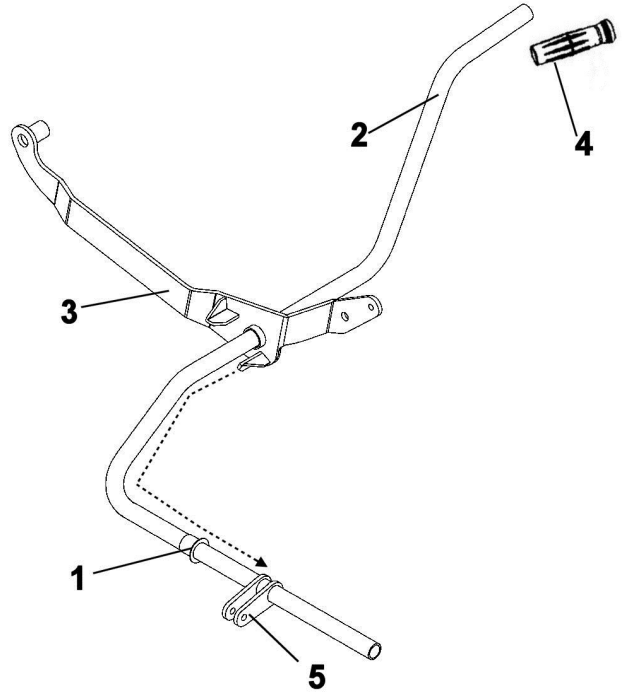
Install left rear support

ASSEMBLY

Slide the nylon bushing (item 1) flange first, down the lift arm (item 2) to the fork (item 5).

Slide the right rear support (item 3) down the lift arm, and onto the nylon bushing.

Install the handgrip (item 4) on the lift arm.



Install support on lift arm

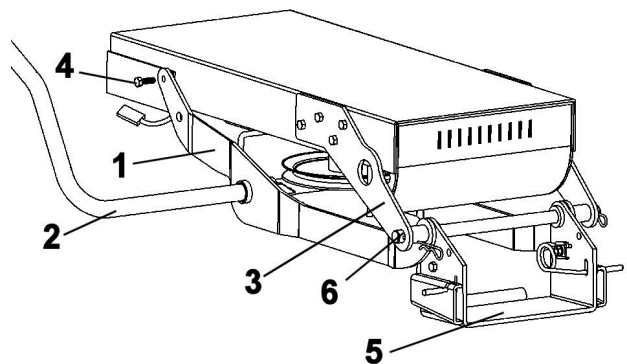
Install the right rear support assembly with the arm lift (items 1 & 2) inside the front support (item 3).

Secure the rear end with a 5/16 x 1" hex bolt (item 4) and flange nut.

Install the pivot support (item 5) between the front supports with a 3/4" Ø pin (item 6).

Secure with two 3 mm hair pins.

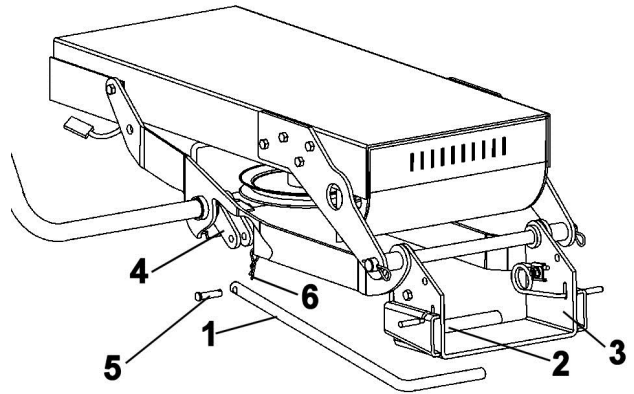
Tighten all bolts securely and reconnect the safety switch.



Install rear and pivot support

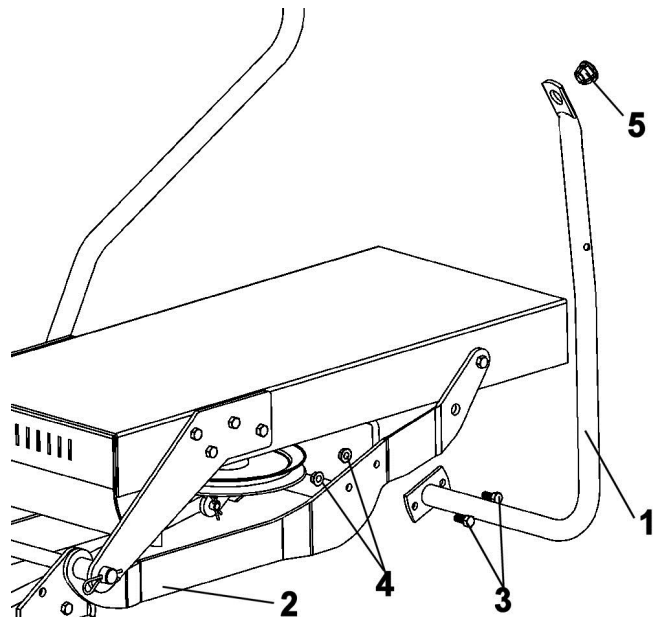
ASSEMBLY

Install the push bar (item 1) by inserting it in the sleeve (item 2) welded on the pivot support (item 3). Install the other end in the fork (item 4) with a pin (item 5) the head toward the outside and with a 2.5 mm hair pin (item 6).



Install push bar

Install the handle support (item 1) on the left side support (item 2) with two 5/16 x 3/4" hex bolts (item 3) and secure with flange nuts (item 4). Install the plastic grommet (item 5) on the handle support (item 1).



Install handle support

ASSEMBLY

STEP 2

DRIVE MECHANISM INSTALLATION:

NOTE: Remove the mower deck to install the drive mechanism. Make sure to remember where the end of the clutch rod is connected to the tractor, because you must reconnect the rod in the same place when you install the drive mechanism or mower.

Remove the P.T.O. clutch rod (item 1) from the mower.

For the LT 166 model:

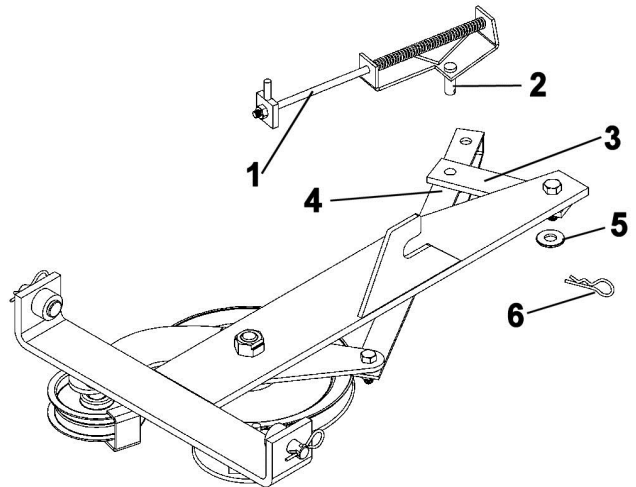
Insert the pin (item 2) in the hole on the tension bar (item 3) and in the hole (the farthest one from the end) on the tension link (item 4).

Secure with a flat washer (item 5) and a 2.5 mm. hair pin (item 6).

For the LT 155 model:

Insert the pin (item 2) in the hole on the tension bar (item 3) and in the hole (the closest one to the edge) on the tension link (item 4).

Secure with a flat washer (item 5) and a 2.5 mm. hair pin (item 6).



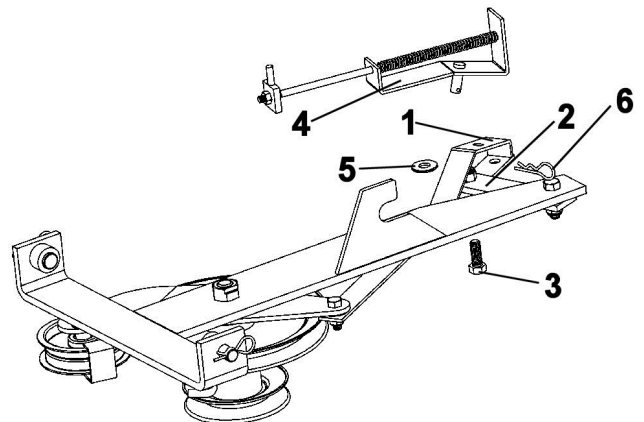
Install clutch rod

For tractors with a Freedom mower:

Remove the tension link (item 1) and reassemble upside down (the bent section must be on top). Secure the tension link (in the second hole) to the tension bar (item 2) with a 3/8 x 1" hex bolt (item 3) and nylon insert lock nut.

Do not tighten the bolts in order to allow the clutch mechanism to move freely.

Install the mower clutch rod (item 4) with the pin in the hole located on the top of the tension link (item 1). Secure with a flat washer (item 5) and a 2.5 mm hair pin (item 6).



Install clutch rod

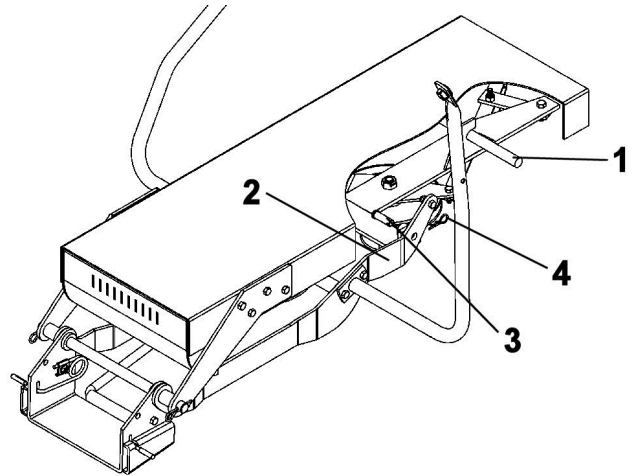
ASSEMBLY

Install the drive mechanism under the tractor by hooking the rear end on the tractor's lift mechanism crossbar (item 1).

Attach the front end to the rear support (item 2) with two pins (item 3), the heads towards the inside.

Secure with a 2.5 mm. hair pin (item 4) on each side.

To make it easier to install the belt on the motor pulley, remove the belt from the drive mechanism pulley. Insert it around the motor pulley and put it back on the drive mechanism pulley.



Install drive mechanism

Install the clutch rod to the tractor's manual clutch lever mechanism the same way it was installed on the mower.

Secure with a 2.5 mm hair pin.

NOTE: Check to make sure the drive mechanism works well.

If the attachments do not stop rapidly when the drive mechanism is disengaged, readjust the clutch rod.

Check to be sure the belt does not touch the belt guides at any time when the P.T.O. clutch is engaged.

ASSEMBLY

STEP 3

SNOWBLOWER INSTALLATION:

Refer to Snowblower owner's manual, parts breakdown section for parts identification.

9

WARNING

9

FOR YOUR SECURITY:

Read the Snowblower's owner's manual for safety precautions and rules.

Follow the assembly and operation instructions.

9

WARNING

9

TO PREVENT INJURIES:

Stop the motor.

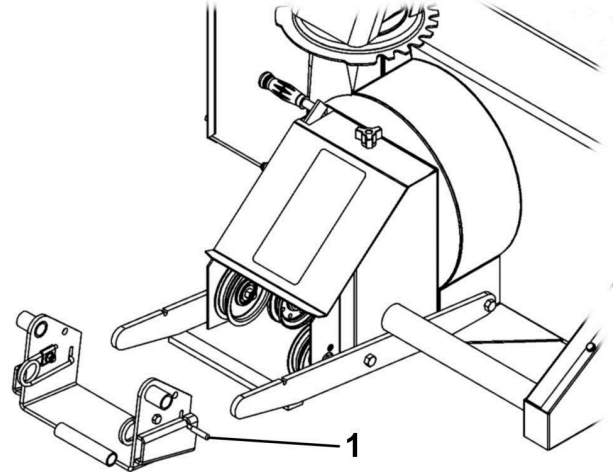
Apply parking brake.

Remove the ignition key.

Disconnect the wire from the spark plug(s) and keep away from spark plug(s) to prevent accidental starting.

Attach the snowblower to the subframe as shown.

Make sure the snowblower is pushed in until locked into place by the springs (item 1).



Install snowblower

Remove belt guard.

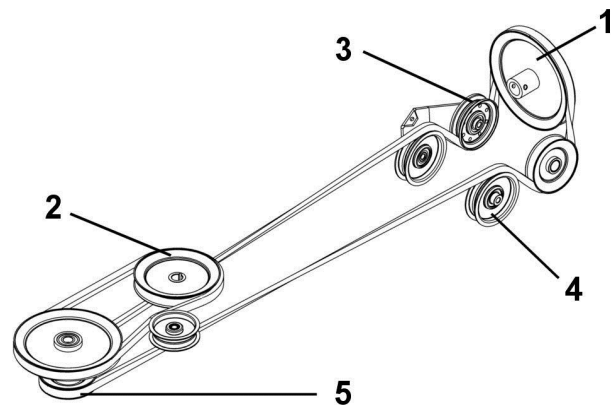
Install the belt around the pulleys as shown.

Install the belt on the drive mechanism pulley (item 5) under the tractor.

Apply tension on the belt by pulling up the belt tension arm.

Reinstall the belt guard.

NOTE: See belt replacement instructions in the maintenance section of the snowblower owner's manual.



- Item 1: Snowblower pulley
- Item 2: Tractor engine pulley
- Item 3: V pulley L.H.
- Item 4: Flat pulley R.H.
- Item 5: Drive mechanism pulley

9

CAUTION

9

The belt tension arm is spring loaded & needs to be held firmly while displacing to prevent injury.

9

CAUTION

9

Never use the snowblower without the belt guard.

Install V-belt and belt guard

ASSEMBLY

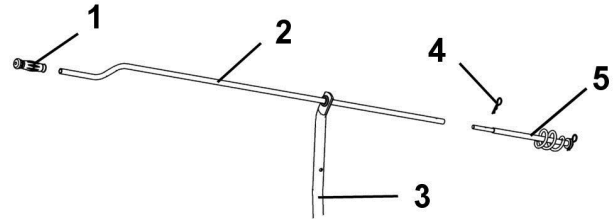
VERIFY BELT ROUTING:

- Lower the snowblower to the ground and let it run for a few seconds under supervision.
- Disengage the snowblower and stop the engine.
- Remove the belt guard.
- Check the belts to make sure they are well inserted on the pulleys and have not flipped on their sides in the pulleys and that they do not touch the belt guides.
- Reinstall the belt guard.

Insert the handgrip (item 1) on the handle (item 2).

Insert the handle (item 2) through the support (item 3) as shown.

Insert the handle (item 2) in the rotation worm (item 5) and secure with a 2.5 mm. hair pin (item 4).

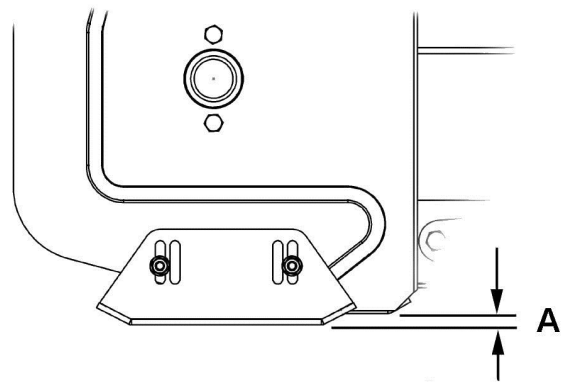


Install handle

VERIFY SKID SHOE ADJUSTMENT:

LEVEL PAVED SURFACE: Adjust skid shoes to allow 3/16" to 1/4" clearance (A) between cutting edge and surface.

UNEVEN OR GRAVEL SURFACE: Adjust skid shoes to allow 1/2" to 5/8" clearance (A) between cutting edge and surface.



VERIFY TIRE PRESSURE:

Attachments should raise 3" to 4" above ground (no more, no less) if not, check and adjust tractor tire pressure as follows:

Front tires: 14-15 psi
Back tires: 7-8 psi

Tire pressure must be even on both sides of tractor.

Adjust skid shoes

ASSEMBLY

ROTARY BROOM INSTALLATION:

Refer to Rotary Broom owner's manual, parts breakdown section for parts identification.

9

WARNING

9

FOR YOUR SECURITY:

Read the Rotary Broom owner's manual for safety precautions and rules.

Follow the assembly and operation instructions.

Attach the rotary broom to the subframe as shown.

Make sure the rotary broom is pushed in until locked into place by the springs (item 1).

9

WARNING

9

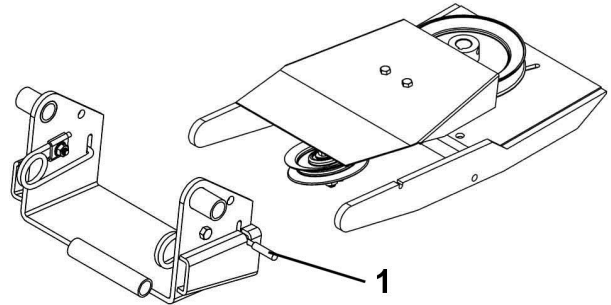
TO PREVENT INJURIES:

Stop the motor.

Apply parking brake.

Remove the ignition key.

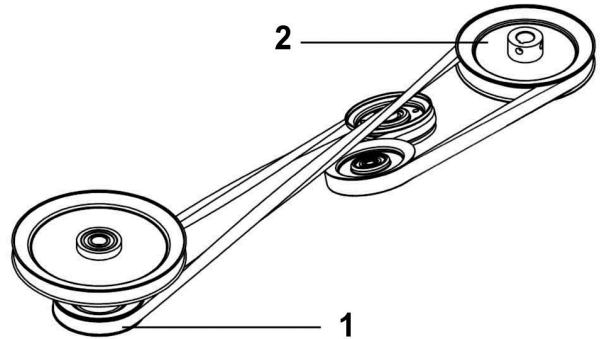
Disconnect the wire from the spark plug(s) and keep away from spark plug(s) to prevent accidental starting.



Attach rotary broom to subframe

Install the belt on the drive mechanism pulley (item 1) as shown.

NOTE: See belt replacement instructions in the maintenance section of the rotary broom owner's manual.



Item 1: Drive mechanism pulley

Item 2: Rotary broom pulley

Install belt

9

CAUTION

9

Never use the Rotary Broom without the belt guard.

VERIFY BELT ROUTING:

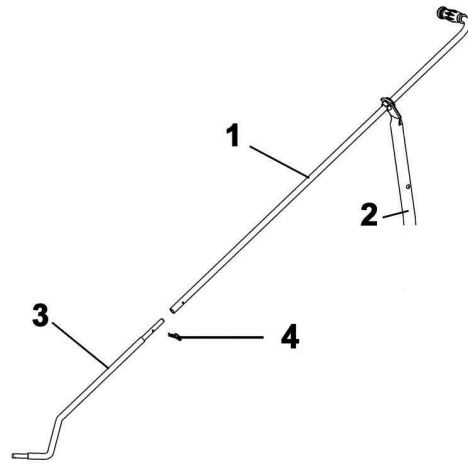
- Lower the rotary broom to the ground and let it run for a few seconds under supervision.
- Disengage the rotary broom and stop the engine.
- Check the belts to make sure they are well inserted on the pulleys and have not flipped on their sides in the pulleys and that they do not touch the belt guides.

ASSEMBLY

Insert handgrip on the handle.

Insert the handle (item 1) through the support (item 2) as shown.

Install the handle on the control rod (item 3) as shown and secure with a 2.5 mm. hair pin (item 4).



Install handle

VERIFY TIRE PRESSURE:

Attachments should raise 3" to 4" above the ground (no more, no less) if not, check and adjust tractor tire pressure as follows:

Front tires:	14-15 psi
Back tires:	7-8 psi

Tire pressure must be even on both sides of the tractor.

ASSEMBLY

UTILITY BLADE INSTALLATION:

Refer to Utility Blade owner's manual, parts breakdown section for parts identification.

9

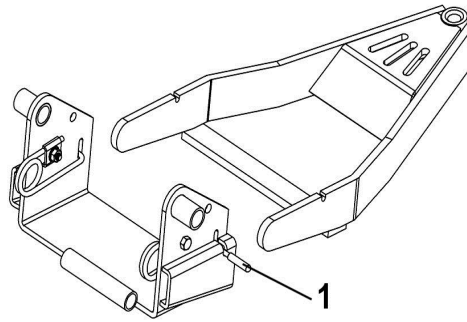
WARNING

9

FOR YOUR SECURITY:

Read the Utility Blade owner's manual for safety precautions and rules.

Follow the assembly and operation instructions.



Attach the blade to the subframe as shown.

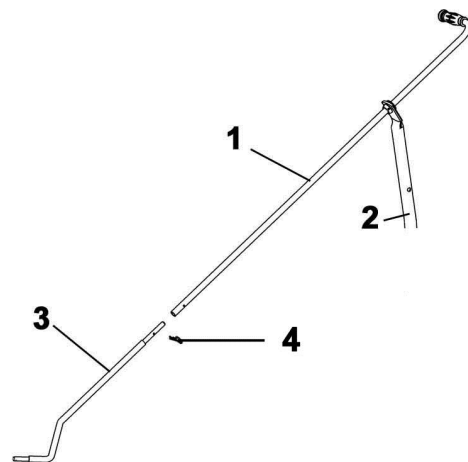
Make sure the blade is pushed in until locked into place by the springs (item 1).

Attach Utility Blade to subframe

Insert the handgrip on the handle.

Insert the handle (item 1) through the support (item 2) as shown.

Install the handle on the control rod (item 3) as shown and secure with a 2.5 mm hair pin (item 4).



Install handle

VERIFY TIRE PRESSURE:

Attachments should raise 3" to 4" above the ground (no more, no less) if not, check and adjust tractor tire pressure as follows:

Front tires: 14-15 psi
Back tires: 7-8 psi

Tire pressure must be even on both sides of the tractor.

MAINTENANCE & DISMOUNTING

MAINTENANCE

- a) Check mounting bolts at frequent intervals for proper tightness to be sure equipment is in safe working condition.
- b) Apply oil at all pivot points.

DRIVE MECHANISM DISMOUNTING

SEE ATTACHMENT OWNER'S MANUAL (SNOWBLOWER, BROOM AND BLADE) FOR DISMOUNTING INSTRUCTIONS.

- a) Dismount the attachment.
- b) Remove the rear counterweight when you remove the front attachment.
- c) Dismount the drive mechanism by disconnecting the clutch rod and by removing the pins in front. Carefully lower to the ground. Detach the V-belt from engine pulley.
- d) You may leave the subframe on tractor all year long or remove it if preferred.
- e) Reinstall mower if needed.

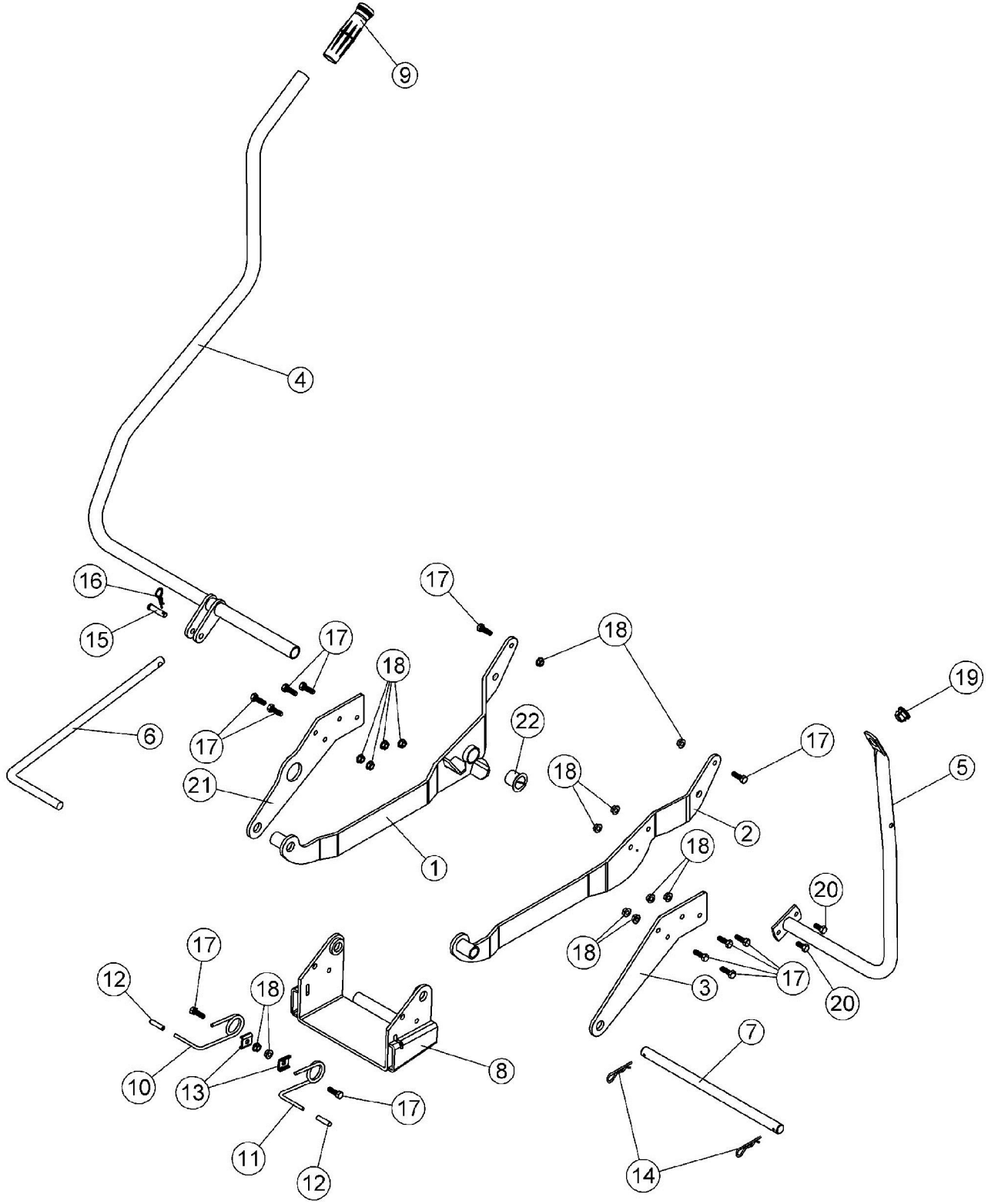
BELT REPLACEMENT Drive Mechanism Belt:

Before proceeding with this step, notice carefully how the belt guide is installed to avoid damage to the belt. When re-installing, remove the bolt which retains the tension pulley and the belt guide. Replace the belt and re-install the tension pulley and belt guide. Before tightening make sure the belt guide does not touch the belt at any time. Re-install the drive mechanism.

END OF SEASON STORAGE

- a) Clean and paint all parts from which paint has worn.
- b) Apply oil at all pivot points.
- c) Inspect and replace all defective parts before using again.

**PARTS BREAKDOWN / NOMENCLATURE DES PIÈCES
SUBFRAME / SOUS-CHÂSSIS**

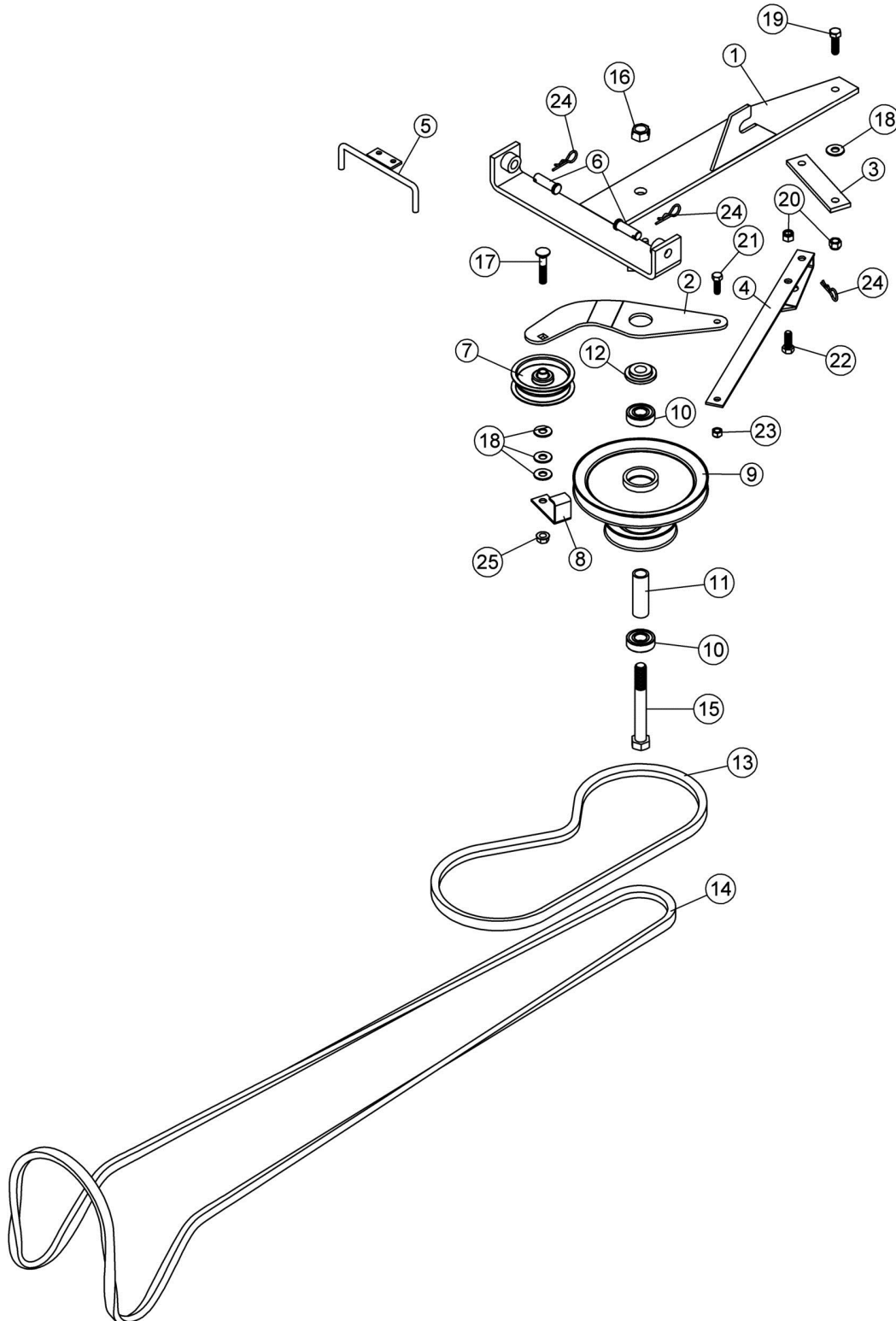


PARTS LIST / LISTE DES PIÈCES

Ref. Réf.	English description	Description française	Qty. Qté.	Part # Pièce #
1	Right rear support	Support arrière droit	1	103472
2	Left rear support	Support arrière gauche	1	102984
3	Left front support	Support avant gauche	1	102985
4	Lift arm	Bras de relevage	1	102986
5	Handle support	Support de manivelle	1	102987
6	Push bar	Barre de poussée	1	102988
7	Pin	Goupille	1	102989
8	Pivot support	Support de pivot	1	102981
9	Handgrip	Poignée de plastique	1	102025
10	Spring lock right	Ressort de barrure droit	1	102209
11	Spring lock left	Ressort de barrure gauche	1	102208
12	Handgrip	Poignée	2	102248
13	Spring bracket	Fixation du ressort	2	102210
14	Hair pin 3mm	Goupille à ressort 3mm	2	102617
15	Pin	Goupille	1	102772
16	Hair pin 2.5mm	Goupille à ressort 2.5mm	1	102013
17	Hex. bolt 5/16" n.c. x 1"	Boulon hex. 5/16" n.c. x 1"	12	O/L
18	Flange nut 5/16" n.c.	Écrou à bride 5/16" n.c.	14	O/L
19	Plastic grommet	Oeillet de plastique	1	102063
20	Hex. bolt 5/16" n.c. x 3/4"	Boulon hex. 5/16" n.c. x 3/4"	2	O/L
21	Right front support	Support avant droit	1	103022
22	Nylon bushing	Coussinet en nylon	1	103087

O/L = Obtain locally/obtenir localement

**PARTS BREAKDOWN / NOMENCLATURE DES PIÈCES
DRIVE MECHANISM / MÉCANISME D'ENTRAÎNEMENT**



PARTS LIST / LISTE DES PIÈCES

Ref. Réf.	English description	Description française	Qty. Qté.	Part # Pièce #
1	Drive frame	Châssis d'entraînement	1	102990
2	Idler arm	Bras de tension	1	102991
3	Tension bar	Barre de tension	1	102992
4	Tension link	Lien de tension	1	102993
5	Belt guide	Guide-courroie	1	102994
6	Pin	Goupille	2	102995
7	Flat pulley	Poulie plate	1	102839
8	Belt guide	Guide-courroie	1	102840
9	Double pulley inc. 102736 & 102782	Poulie double inc. 102736 & 102782	1	102692
10	Bearing 6203 2RS x 0.625	Roulement à bille 6203 2RS x 0.625	2	102736
11	Sleeve	Douille	1	102782
12	Flange washer	Rondelle a bride	1	102969
13	V-Belt , A-40	Courroie en V , A-40	1	102999
14	V-Belt, B-112	Courroie en V, B-112	1	103010
15	Hex. bolt 5/8" n.c. x 5"	Boulon hex. 5/8" n.c. x 5"	1	O/L
16	Stover lock nut 5/8" n.c.	Écrou de blocage 5/8" n.c.	1	O/L
17	Carriage bolt 3/8" n.c. x 2"	Boulon à carrosserie 3/8" n.c. x 2"	1	O/L
18	Flat washer 7/16" hole	Rondelle plate 7/16" trou	4	O/L
19	Hex. bolt 3/8" n.c. x 1 1/4"	Boulon hex. 3/8" n.c. x 1 1/4"	1	O/L
20	Nylon insert lock nut 3/8" n.c.	Écrou à garniture de nylon 3/8" n.c.	2	O/L
21	Hex. bolt 5/16" n.c. x 1"	Boulon hex. 5/16" n.c. x 1"	1	O/L
22	Hex. bolt 3/8" n.c. x 1"	Boulon hex. 3/8" n.c. x 1"	1	O/L
23	Nylon insert lock nut 5/16" n.c.	Écrou à garniture de nylon 5/16" n.c.	1	O/L
24	Hair pin 2.5mm	Goupille à ressort 2.5mm	3	102013
25	Flange nut 3/8" n.c.	Écrou à bride 3/8" n.c.	1	O/L

O/L = Obtain locally/obtenir localement

TORQUE SPECIFICATION TABLE

GENERAL TORQUE SPECIFICATION TABLE USE THE FOLLOWING TORQUES WHEN SPECIAL TORQUES ARE NOT GIVEN

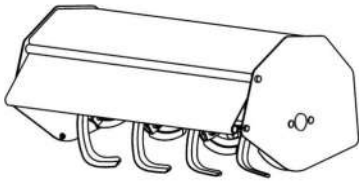
NOTE: These values apply to fasteners as received from supplier, dry or when lubricated with normal oil. They do not apply if special graphited or moly disulphide greases or other extreme pressure lubricants are used. This applies to both UNF and UNC threads.

SEE Grade No.		2				5				8 *			
BOLT HEAD IDENTIFICATION MARKS AS PER GRADE NOTE MANUFACTURING MARKS WILL VARY		TORQUE				TORQUE				TORQUE			
BOLT SIZE		POUNDS FEET		NEWTON-METERS		POUNDS FEET		NEWTON-METERS		POUNDS FEET		NEWTON-METERS	
Inches	Millimetre	Min.	Max.	Min.	Max.	Min.	Max.	Min.	Max.	Min.	Max.	Min.	Max.
1/4"	6.35	5	6	6.8	8.13	9	11	12.2	14.9	12	15	16.3	30.3
5/16"	7.94	10	12	13.6	16.3	17	20.5	23.1	27.8	24	29	32.5	39.3
3/8"	9.53	20	23	27.1	31.2	35	42	47.5	57	45	54	61	73.2
7/16"	11.11	30	35	40.7	47.4	54	64	73.2	86.8	70	84	94.9	113.9
1/2"	12.7	45	52	61	70.5	80	96	108.5	130.2	110	132	149.2	179
9/16"	14.29	65	75	88.1	101.6	110	132	149.2	179	160	192	217	260.4
5/8"	15.88	95	105	128.7	142.3	150	180	203.4	244.1	220	264	298.3	358
3/4"	19.05	150	185	203.3	250.7	270	324	366.1	439.3	380	456	515.3	618.3
7/8"	22.23	160	200	216.8	271	400	480	542.4	650.9	600	720	813.6	976.3
1"	25.4	250	300	338.8	406.5	580	696	786.5	943.8	900	1080	1220.4	1464.5

*Thick nuts must be used with grade 8 bolts

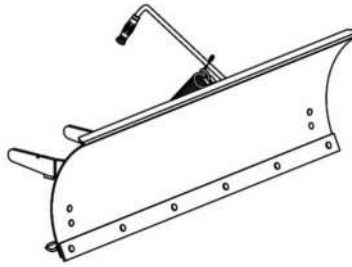
METRIC BOLT TORQUE SPECIFICATIONS							
Size Screw	Grade No.	Pitch (mm)	COARSE THREAD		FINE THREAD		
			Pounds Feet	Newton-Meters	Pitch (mm)	Pounds Feet	Newton-Meters
M6	4T	1.00	3.6 - 5.8	4.9 - 7.9	-	-	-
	7T		5.8 - 9.4	7.9 - 12.7		-	-
	8T		7.2 - 10	9.8 - 13.6		-	-
M8	4T	1.25	7.2 - 14	9.8 - 19	1.00	12 - 17	16.3 - 23
	7T		17 - 22	23 - 29.8		19 - 27	25.7 - 36.6
	8T		20 - 26	27.1 - 35.2		22 - 31	29.8 - 42
M10	4T	1.50	20 - 25	27.1 - 33.9	1.25	20 - 29	27.1 - 39.3
	7T		34 - 40	46.1 - 54.2		35 - 47	47.4 - 63.7
	8T		38 - 46	51.5 - 62.3		40 - 52	54.2 - 70.5
M12	4T	1.75	28 - 34	37.9 - 46.1	1.25	31 - 41	42 - 55.6
	7T		51 - 59	69.1 - 79.9		56 - 68	75.9 - 92.1
	8T		57 - 66	77.2 - 89.4		62 - 75	84 - 101.6
M14	4T	2.00	49 - 56	66.4 - 75.9	1.50	52 - 64	70.5 - 86.7
	7T		81 - 93	109.8 - 126		90 - 106	122 - 143.6
	8T		96 - 109	130.1 - 147.7		107 - 124	145 - 168
M16	4T	2.00	67 - 77	90.8 - 104.3	1.50	69 - 83	93.5 - 112.5
	7T		116 - 130	157.2 - 176.2		120 - 138	162.6 - 187
	8T		129 - 145	174.8 - 196.5		140 - 158	189.7 - 214.1
M18	4T	2.00	88 - 100	119.2 - 136	1.50	100 - 117	136 - 158.5
	7T		150 - 168	203.3 - 227.6		177 - 199	239.8 - 269.6
	8T		175 - 194	237.1 - 262.9		202 - 231	273.7 - 313
M20	4T	2.50	108 - 130	146.3 - 176.2	1.50	132 - 150	178.9 - 203.3
	7T		186 - 205	252 - 277.8		206 - 242	279.1 - 327.9
	8T		213 - 249	288.6 - 337.4		246 - 289	333.3 - 391.6

ATTACHMENTS



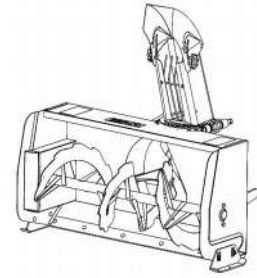
ROTARY TILLER #700312

Mounts to the rear of lawn & garden tractors 14 to 25 HP. Comes complete with drive & manual lift mechanisms & mounting hardware.



UTILITY BLADE #700266

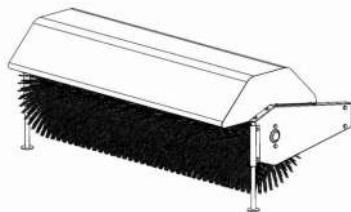
Mounts on the same subframe as the snowblower & rotary broom.



SNOWBLOWER

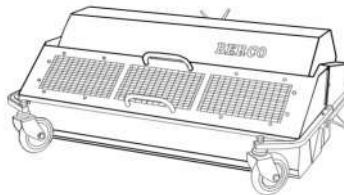
- #700210 40"
- #700211 44"
- #700255 40"
- #700300 48"

Fits on same subframe as rotary broom and utility blade.



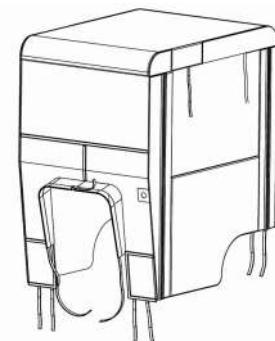
ROTARY BROOMS
#700286 with nylon brush
#700316 with polypropylene brush.

Fits on same subframe as snowblower & utility blade. Requires an adaptor.



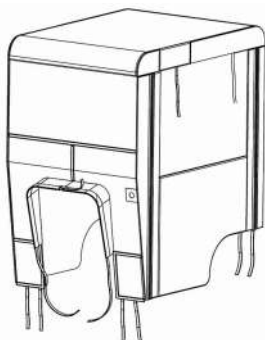
DEBRIS COLLECTOR #700235

Quickly & easily fitted on front of rotary brooms #700286 and #700316. Collects debris in container with easy manual dumping. Reduces dust.



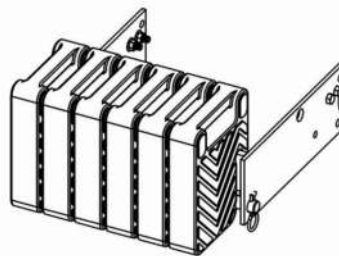
TRACTOR WINTER CAB #700271

Universal type fits on a wide variety of lawn and garden tractors.



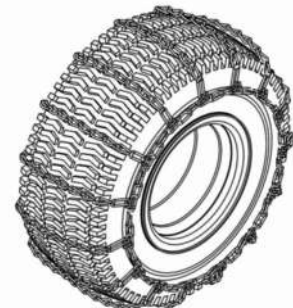
TRACTOR SCREEN CAB #700313

Universal type fits on a wide variety of lawn and garden tractors.



COUNTERWEIGHT

#700240 Universal rear weights
#700246 Rear weights Electrolux
Required for safety and traction. Counterbalances weight of attachment.



TIRE CHAINS

Two link spacing. Required for traction and safety.
Pkg. of 2