



**OWNER'S MANUAL**  
**MODEL NUMBER**

**700279-3**

**700280-1**



***BERCO***  
***Subframe & Drive Mechanism***  
**for**  
***JOHN DEERE LT SERIES***  
***Tractors***

\* ASSEMBLY  
\* OPERATION

\* REPAIR PARTS  
\* MAINTENANCE

**CAUTION:**

**READ & FOLLOW ALL SAFETY RULES & INSTRUCTIONS  
BEFORE OPERATING YOUR EQUIPMENT**

# LIMITED WARRANTY

## Conditions and Products Covered:

BERCOMAC guarantees any part of the product or accessory manufactured by BERCOMAC and found in the reasonable judgment of BERCOMAC to be defective in material and or workmanship will be repaired or replaced by an authorized dealer without charge up to our maximum labor rates and pre-established times. For replacement parts only standard ground freight services are covered. This warranty extends to the original retail purchaser only and is not transferable to any subsequent purchasers.

## Warranty Period

(from date of the original retail purchase):

- Residential use: 1 year
- Commercial or rental use: 90 days

**Exceptions Noted Below:** the following items are guaranteed by the original manufacturer and have their own warranty, conditions and limited time:

- Tire Chains: 90 days
- Engines (supplied with BERCOMAC equipment): 2 years

Please refer to the engine manufacturer's warranty statement included with the unit. BERCOMAC is not authorized to handle warranty adjustments on engines.

## Items and Conditions NOT Covered:

This warranty does not cover the following:

- Pick-up or delivery charges or in-home services fees.
- Any damage or deterioration of the unit, parts and or finish of these due to normal use, wear and tear, or exposure.
- Cost of regular use or maintenance service or parts, such as gas, oil, lubricants, tune-up parts, and adjustments.
- Any part or accessory which has been altered, modified, misused, neglected, accidentally damaged or not properly installed, maintained, stored or repaired not in accordance with the instructions in the owner's manual.
- Repair due to normal wear and or any wear items such as shear pins, bolts, belts, etc.
- Expedited freight fee services for replacement parts.
- Shear bolts and shear pins are to be considered as a preventive measure not as an assured protection, any damages resulting from the lack of shear bolts breakage are not covered.

NOTE: All warranty work must be performed by an authorized dealer using original (manufacturer) replacement parts.

**Note:** Bercomac reserves the right to change or improve the design of any part or accessory without assuming any obligation to modify any product previously manufactured.

## Instructions for Obtaining Warranty Services:

Contact dealer where equipment was purchased or any other BERCOMAC Service Dealer to arrange service at their dealership. To locate a dealer convenient to you, access our website at [www.bercomac.com](http://www.bercomac.com).

Bring the product and your proof of purchase (sales receipt) to the BERCOMAC dealer.

## Owner's Responsibilities:

BERCOMAC's defective equipment or part must be returned to an authorized dealer within the warranty period for repairs. In the event that defective merchandise must be returned to manufacturer for repairs, freight fees are prepaid and a written authorization from BERCOMAC must be obtained by dealer prior to the shipment. This warranty extends only to equipment operated under normal conditions. To validate a warranty claim, it is the user's responsibility to maintain and service the unit as specified in the owner's manual at their expense.

## General Conditions:

The sole liability of BERCOMAC with respect to this warranty shall be strictly and exclusively repair and replacement as mentioned herein. BERCOMAC shall not have any liability for any other costs, loss or damage, including but not limited to, any incidental or consequential loss or damage.

In particular, without being limited to, BERCOMAC shall have no liability or responsibility for:

- Travel time, overtime, after hours time or other extraordinary repair charges or relating to repairs and or replacements outside of normal business hours.
- Rental of like or similar replacement equipment during the period of any, repair or replacement work.
- Any communicating or travel charges.
- Loss or damage to person or property other than that covered by the terms of this warranty.
- Any claims for lost revenue, lost profit or any similar costs as a result of damage or repair.
- Attorney's fees.

BERCOMAC's responsibility in respect to claims is limited to making the required repairs or replacement without charge up to our maximum labor rates and pre-established times and no claim of breach of warranty shall be cause for cancellation or rescission of the contract of sale of any product or accessory.

This warranty gives you specific legal rights. You may also have other rights, which vary from state to state.

# TABLE OF CONTENTS

	PAGE
INTRODUCTION .....	2
SAFETY PRECAUTIONS .....	3
ASSEMBLY	
Step 1: Subframe Installation .....	5
Step 2: Drive Mechanism Installation .....	8
Step 3: Snowblower Installation .....	10
Rotary Broom Installation .....	12
Utility Blade Installation .....	14
MAINTENANCE & DISMOUNTING	
Maintenance .....	15
Drive Mechanism Dismounting .....	15
Belt Replacement .....	15
End of Season Storage .....	15
PARTS BREAKDOWN AND LISTS	
Subframe .....	16
Drive Mechanism .....	18
TORQUE SPECIFICATION TABLE .....	20
ATTACHMENTS .....	21
TROUBLESHOOTING	
See attachment owner's manual for this section. (Snowblower, Utility Blade, Rotary Broom)	

# INTRODUCTION

## TO THE PURCHASER

This new attachment was carefully designed to give years of dependable service. This manual has been provided to assist in the safe operation and servicing of your attachment.

**NOTE:** All photographs and illustrations in the manual may not necessarily depict the actual models or attachment, but are intended for reference only and are based on the latest product information available at the time of publication.

Familiarize yourself fully with the safety recommendations and operating procedures before putting the machine to use. Carefully read, understand and follow these recommendations and insist that they be followed by those who will use this attachment.

9

**THIS SAFETY ALERT SYMBOL IDENTIFIES AN IMPORTANT SAFETY MESSAGE IN THIS MANUAL THAT HELPS YOU AND OTHERS AVOID PERSONAL INJURY OR EVEN DEATH. DANGER, WARNING, AND CAUTION ARE SIGNAL WORDS USED TO IDENTIFY THE LEVEL OF HAZARD. HOWEVER, REGARDLESS OF THE HAZARD, BE EXTREMELY CAREFUL.**

**DANGER:** Signals an extreme hazard that will cause serious injury or death if recommended precautions are not followed.

**WARNING:** Signals a hazard that may cause serious injury or death if the recommended precautions are not followed.

**CAUTION:** Signals a hazard that may cause minor or moderate injury if the recommended precautions are not followed.

Record your attachment serial number and purchase date in the section reserved below (there is no serial number on the subframe). Your dealer requires this information to give you prompt, efficient service when ordering replacement parts. Use only genuine parts when replacements are required.

If warranty repairs are required please present this registration booklet and original sales invoice to your selling dealer for warranty service.

**This manual should be kept for future reference.**

**Please check if you have received all the parts for your kit with the list of the bag and the list of the box.**

**SERIAL NUMBER :** \_\_\_\_\_

**PURCHASE DATE :** \_\_\_\_\_

***In this manual, right and left sides are determined by sitting on the tractor seat facing forward.***

In this manual, "attachment" means accessories that you install on the tractor, such as, snowblower, rotary broom, blade, rotary tiller, cab, subframe, etc...

# SAFETY PRECAUTIONS

Careful operation is your best insurance against an accident. Read this section carefully before operating the tractor and attachment. Failure to observe the following safety instructions could result in serious injury. All operators, no matter how experienced they may be, should read this and other manuals related to the tractor and attachments before operating. It is the owner's legal obligation to instruct all operators in safe operation.

## TRAINING

9

This symbol, "Safety Alert Symbol", is used throughout this manual and on the attachments safety labels to warn of the possibility of serious injuries. Please take special care in reading and understanding the safety precautions before operating the attachment or the tractor.

1. Read this owner's manual carefully. Be thoroughly familiar with the controls and proper use of the tractor and attachment. Know how to stop the unit and disengage the controls quickly.
2. Never allow children to operate attachment nor the tractor. Never allow adults to operate attachment nor the tractor without proper instructions.
3. No one should operate the tractor nor the attachment while intoxicated or while taking medication that impairs the senses or reactions.
4. Keep the area of operation clear of all persons, particularly small children and pets.

## PREPARATION

1. Thoroughly inspect the area where the attachment is to be used and remove door mats, all foreign objects and the like.
2. Disengage all clutches and shift into neutral before starting engine
3. Do not operate the attachment without wearing adequate garments. Avoid loose fitting clothing that can get caught in moving parts. Wear footwear that will improve footing on slippery surfaces.
4. Handle fuel with care, it is highly flammable.
  - a) Use approved fuel container.
  - b) Never add fuel to a running engine or hot engine.
  - c) Fill fuel tank outdoors with extreme care. Never fill fuel tank indoors.
  - d) Never fill containers inside a vehicle, or on a truck or a trailer bed with a plastic liner. Always place containers on the ground, away from your vehicle, before filling.

- e) When practical, remove gas-powered equipment from the truck or trailer and refuel it on the ground. If this is not possible, then refuel such equipment on a trailer with a portable container, rather than from a gasoline dispenser nozzle.
  - f) Keep the nozzle in contact with the rim of the fuel tank or container opening at all times, until refuelling is complete. Do not use a nozzle lock-open device.
  - g) Replace fuel cap securely and wipe up spilled fuel.
  - h) If fuel is spilled on clothing, change clothing immediately.
5. Never attempt to make any adjustments while engine is running (except where specifically recommended by manufacturer).
  6. Always wear safety glasses or eye shields during operation or while performing an adjustment or repairs to protect eyes from foreign objects that may be thrown from the machine.
  7. **Never modify the attachment or any part without the written consent from the manufacturer.**

## OPERATION

1. Do not run engine indoors except when starting engine and transporting attachment, in or out of building. Do not operate or let motor run in a storage area without ventilation because gas contains carbon monoxide which is odourless, colourless and can cause death.
2. Do not carry passengers on attachment or tractor.
3. Take all possible precautions when leaving the machine unattended. Lower the attachment, shift into neutral, set the parking brake, stop the engine and remove the key. Wait for all moving parts to stop.

# SAFETY PRECAUTIONS

4. Use only attachments approved by the manufacturer (such as wheel chains, counterweights, cabs). You must use 100 lbs. of rear counterweight for better traction and a greater stability at all times when using an attachment that is installed on the front of a tractor.
5. Never operate an attachment without good visibility or light.

## **MAINTENANCE AND STORAGE**

1. Check shear bolts, mounting bolts, etc..., at frequent intervals for proper tightness to be sure attachment is in safe working condition.
2. Never store the machine with fuel in the tank inside a building where ignition sources are present, such as hot water tanks, space heaters, clothes dryers and the like. Allow engine to cool before storing in any enclosure.
3. Always refer to the owner's manual when you store than attachment for an extended period.
4. Maintain or replace safety and instructions labels, as necessary.

**WHENEVER YOU SEE THIS SYMBOL**



**IT MEANS:**

**WARNING!**

**BECOME ALERT !**

**YOUR SAFETY IS INVOLVED!**



**WARNING**



**FOR YOUR SECURITY:**

**Read the attachment owner's manual for safety precautions and rules.**

**Follow the assembly and operation instructions.**



**WARNING**



**TO PREVENT INJURIES AND FOR MORE TRACTION WHEN USING AN ATTACHMENT:**

**-Rear counterweight of 100 lbs. minimum is required to counterbalance the attachment's weight.**

**-Tractor manufacturer approved tire chains are required.**

**-Do not operate on a slope greater than 10°.**

**-When dismounting an attachment remove rear counterweights.**

# ASSEMBLY

## STEP 1

### SUBFRAME INSTALLATION:

**IMPORTANT: TORQUE ALL BOLTS ACCORDING TO TORQUE SPECIFICATION TABLE (SEE TABLE OF CONTENTS) WHEN STATED: TIGHTEN FIRMLY. REFER TO PARTS BREAKDOWN SECTION FOR PARTS IDENTIFICATION.**

**NOTE:** *You can install this subframe with or without the mower on tractor. However, on certain models the lift height of the mower deck will be reduced.*

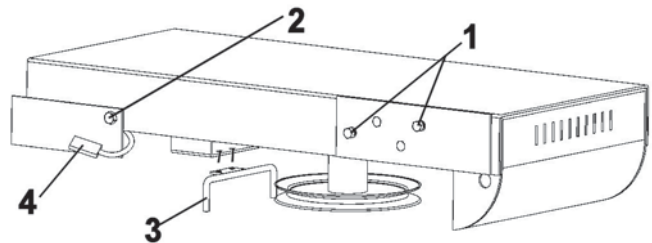
However, the mower must be removed in order to install the drive mechanism.

Remove the bolts (items 1 & 2) from each side of the frame.

Disconnect wire from safety switch (item 4).

Remove the original belt guide from tractor (only if you install the drive mechanism) and replace it with the one (item 3) supplied with this kit as shown (the U-shaped rod towards the front). **DOES NOT APPLY TO THE LT190 MODEL.** Use the same bolt that you removed from tractor and a M6 x 10 supplied with the drive mechanism #700280.

**NOTE:** You must reinstall the original belt guide when the mower deck is reinstalled.



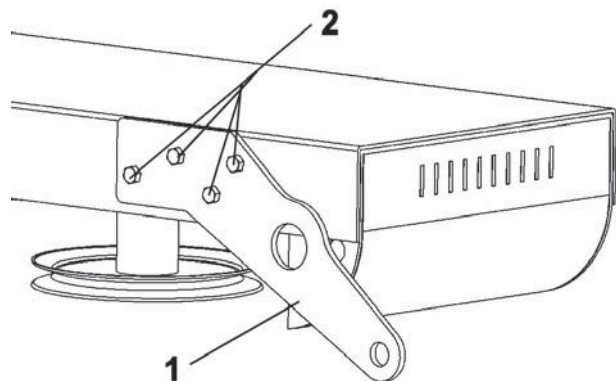
Change original belt guide

Install the front supports (item 1) with four 5/16 x 1" hex bolts (item 2) and flange nuts on each side.

The right front support has an extra hole for the exhaust. Do not tighten yet.

For the LT190 Models:

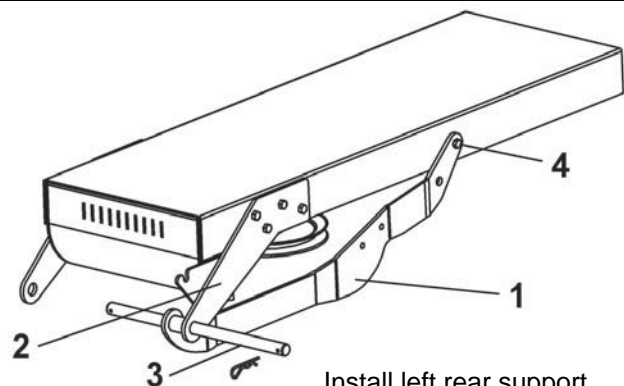
Install the front supports with two bolts from the tractor, two 5/16 x 1" hex bolts and two flange nuts included with this kit.



Install front supports

Install the left rear support (item 1) inside the front support (item 2) with a 3/4" Ø pin (item 3).

Secure the rear end with a 5/16 x 1" hex bolt (item 4) and flange nut. Do not tighten yet.



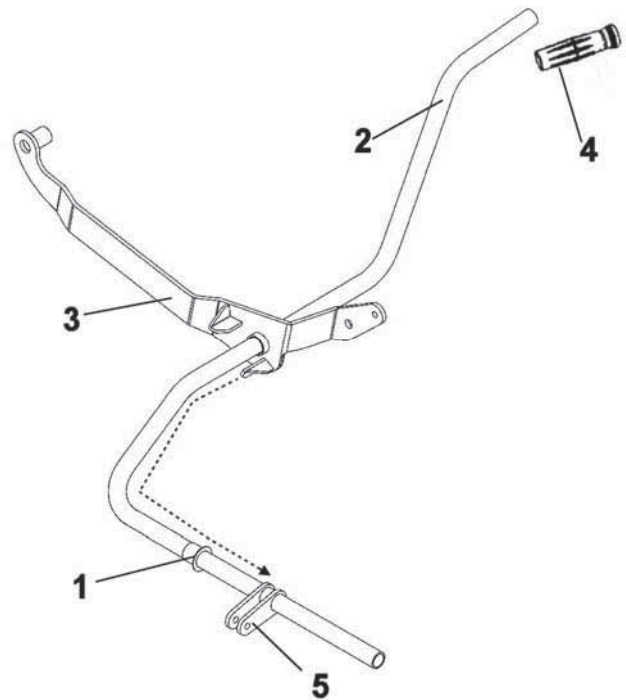
Install left rear support

# ASSEMBLY

Slide the nylon bushing (item 1) flange first, down the lift arm (item 2) to the fork (item 5).

Slide the right rear support (item 3) down the lift arm, and onto the nylon bushing.

Install the handgrip (item 4) on the lift arm.



Install support on lift arm

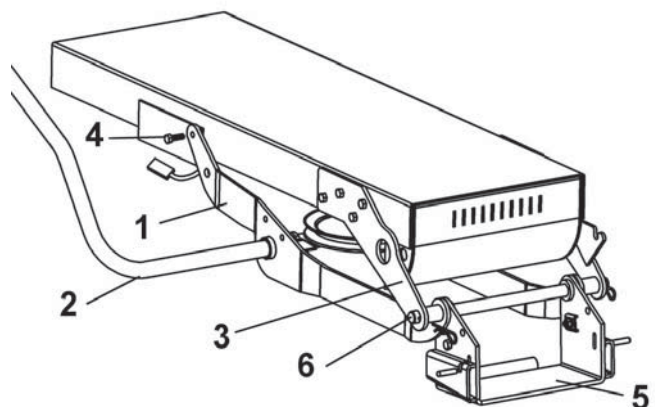
Install the right rear support assembly with the arm lift (items 1 & 2) inside the front support (item 3).

Secure the rear end with a 5/16 x 1" hex bolt (item 4) and flange nut.

Install the pivot support (item 5) between the front supports with a 3/4" Ø pin (item 6).

Secure with two 3 mm hair pins.

Tighten all bolts securely and reconnect the safety switch.

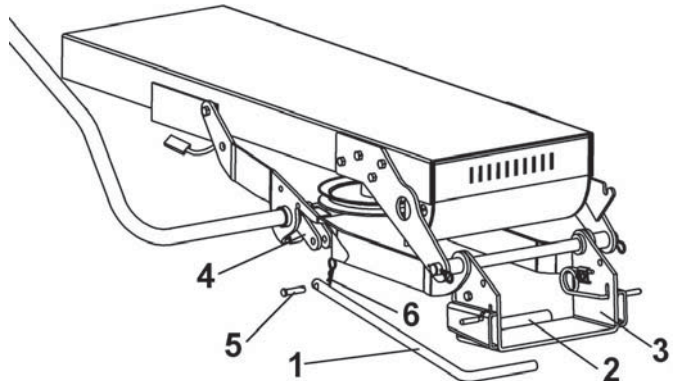


Install rear and pivot support



# ASSEMBLY

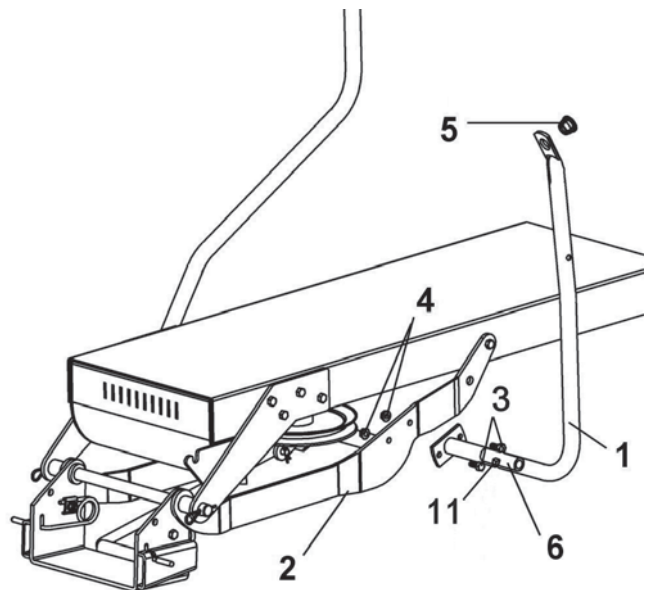
Install the push bar (item 1) by inserting it in the sleeve (item 2) welded on the pivot support (item 3). Install the other end in the fork (item 4) with a pin (item 5) the head toward the outside and with a 2.5 mm hair pin (item 6).



Install push bar

Install the handle support (item 1) on the left rear support (item 2) with two 5/16 x 3/4" hex bolts (item 3) and secure with flange nuts (item 4).

Install the plastic grommet (item 5) on the handle support (item 1).



Install handle support

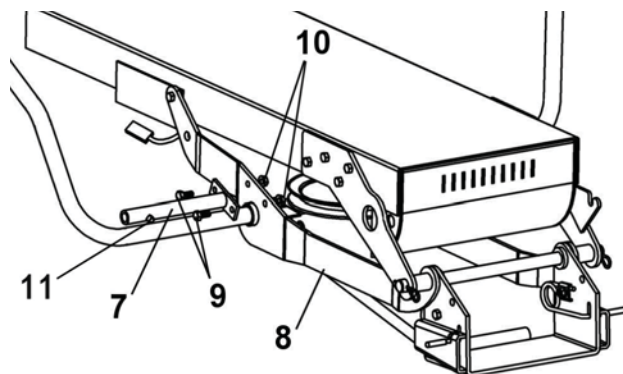
INSTALLATION OF THE SUPPORTS FOR THE BERCO CAB:(all models) (if required).

This subframe includes the front supports to be able to install the Berco cab.

The left support for the cab (item 6) is welded to the handle support (item 1).

Install the right support for the cab (item 7) on the right rear support (item 8) with two 5/16 x 3/4" hex bolts (item 9) and two flange nuts (item 10).

Use the 5/16 x 1/2" square head socket set screws (item 11) to secure the cab's front rod supports included with cab.



Install the right support for cab

# ASSEMBLY

## STEP 2

### DRIVE MECHANISM INSTALLATION:

**NOTE:** Remove the mower deck to install the drive mechanism. Make sure to remember where the end of the clutch rod is connected to the tractor, because you must reconnect the rod in the same place when you install the drive mechanism or mower.

Remove the P.T.O. clutch rod (item 1) from the mower.

#### **For the LT 166 model:**

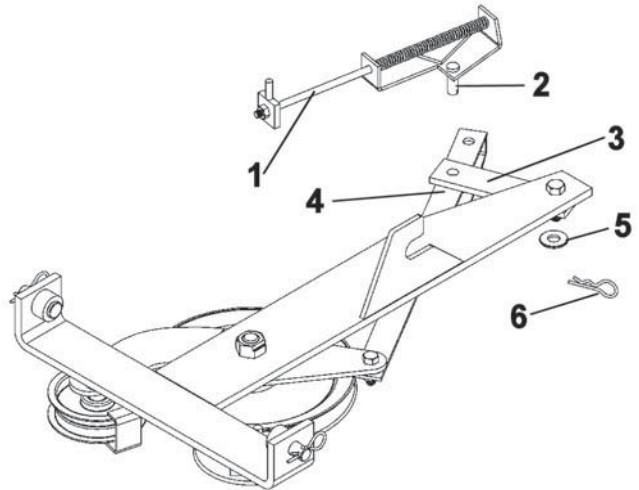
Insert the pin (item 2) in the hole on the tension bar (item 3) and in the hole (the farthest one from the edge) on the tension link (item 4).

Secure with a flat washer (item 5) and a 2.5 mm. hair pin (item 6).

#### **For the LT 155 model:**

Insert the pin (item 2) in the hole on the tension bar (item 3) and in the hole (the closest one to the edge) on the tension link (item 4).

Secure with a flat washer (item 5) and a 2.5 mm. hair pin (item 6).



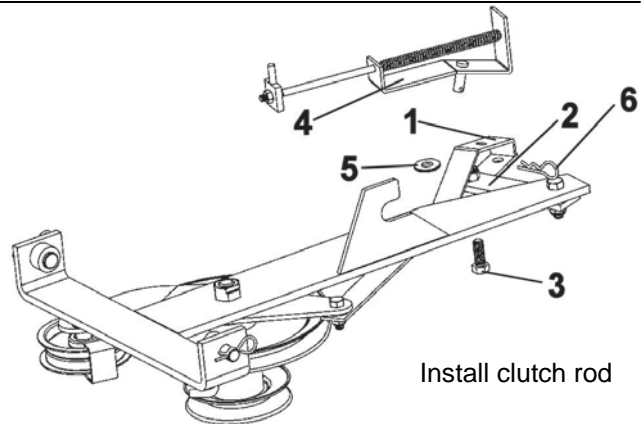
Install clutch rod

#### **For tractors with a Freedom mower:**

Remove the tension link (item 1) of the drive mechanism and reassemble upside down (the bent section must be on top). Secure the tension link (in the hole farthest to the bended part) in the tension bar (item 2) with a 3/8 x 1" hex bolt (item 3) and nylon insert lock nut.

Do not tighten the bolts in order to allow the clutch mechanism to move freely.

Install the mower clutch rod (item 4) with the pin in the hole located on the top of the tension link (item 1). Secure with a flat washer (item 5) and a 2.5 mm hair pin (item 6).



Install clutch rod

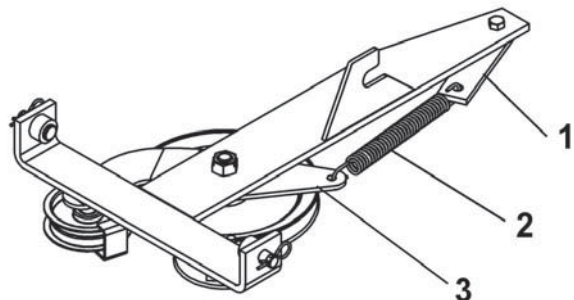
#### **For the LT 190 model:**

To be able to install the drive mechanism, you must remove the tension link.

Turn the tension bar (item 1) to the left towards the outside. Hook the spring (item 2) in the hole of the tension bar.

Stretch the spring to the other end of the idler arm (item 3).

Make sure the idler arm moves freely.



Install spring

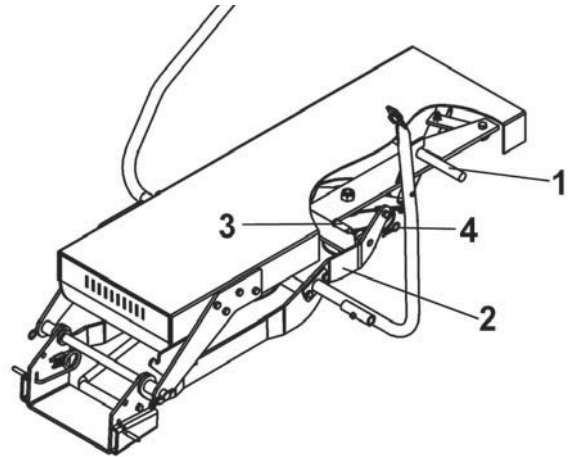
## ASSEMBLY

Install the drive mechanism under the tractor by hooking the slotted part on the tractor's lift mechanism crossbar (item 1).

Attach the front end to the rear support (item 2) with two pins (item 3), the heads towards the inside.

Secure with a 2.5 mm. hair pin (item 4) on each side.

To make it easier to install the belt on the motor pulley, remove the belt from the drive mechanism pulley. Insert it around the motor pulley and put it back on the drive mechanism pulley.



Install drive mechanism

Install the clutch rod to the tractor's manual clutch lever mechanism the same way it was installed on the mower.

Secure with a 2.5 mm hair pin.

**NOTE:** Check to make sure the drive mechanism works well.

**If the attachments do not stop rapidly when the drive mechanism is disengaged, readjust the clutch rod.**

Check to be sure the belt does not touch the belt guides at any time when the P.T.O. clutch is engaged.

# ASSEMBLY

## STEP 3

### SNOWBLOWER INSTALLATION:

Refer to Snowblower owner's manual, parts breakdown section for parts identification.

9

**WARNING**

9

#### FOR YOUR SECURITY:

Read the Snowblower's owner's manual for safety precautions and rules.

Follow the assembly and operation instructions.

9

**WARNING**

9

#### TO PREVENT INJURIES:

Stop the motor.

Apply parking brake.

Remove the ignition key.

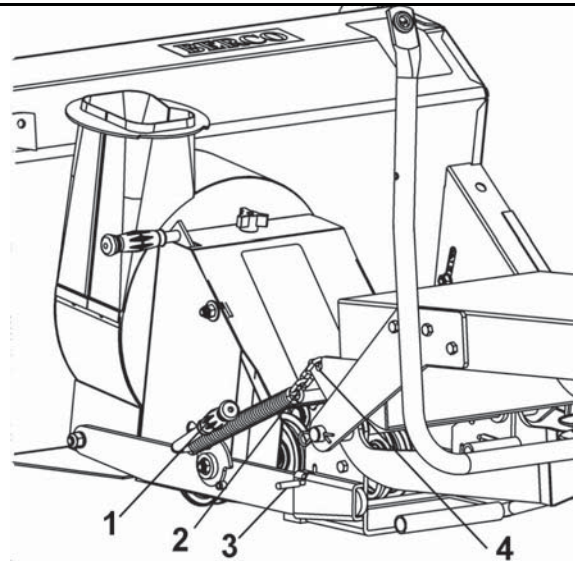
Disconnect the wire from the spark plug(s) and keep away from spark plug(s) to prevent accidental starting.

Attach the snowblower to the subframe as shown.

Make sure the snowblower is pushed in until locked into place by the springs (item 3).

Turn the handle (item 1) towards the back and install the chain (item 2) on the hook (item 4).

Turn the handle towards the front to apply tension on the spring.



Install snowblower

Remove belt guard.

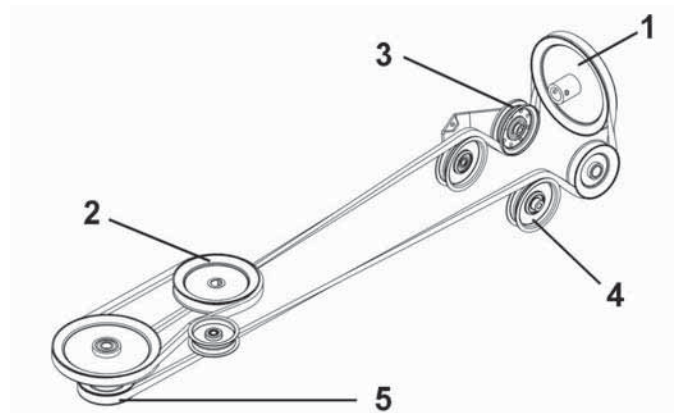
Install the belt around the pulleys as shown.

Install the belt on the drive mechanism pulley (item 5) under the tractor.

Apply tension on the belt by pulling up the belt tension arm.

Reinstall the belt guard.

**NOTE:** See belt replacement instructions in the maintenance section of the snowblower owner's manual.



- Item 1: Snowblower pulley
- Item 2: Tractor engine pulley
- Item 3: V pulley L.H.
- Item 4: Flat pulley R.H.
- Item 5: Drive mechanism pulley

9

**CAUTION**

9

The belt tension arm is spring loaded & needs to be held firmly while displacing to prevent injury.

9

**CAUTION**

9

Never use the snowblower without the belt guard.

Install V-belt and belt guard

# ASSEMBLY

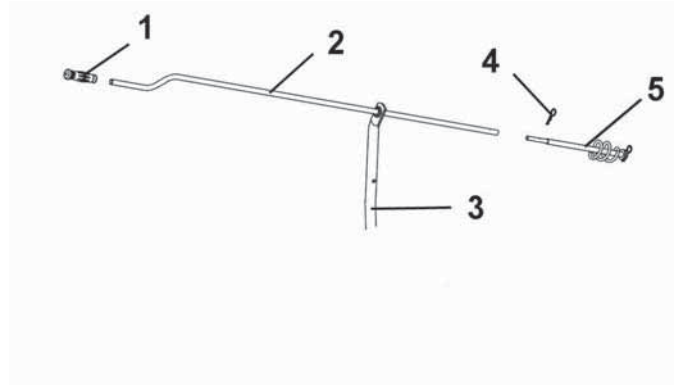
## **VERIFY BELT ROUTING:**

- Lower the snowblower to the ground and let it run for a few seconds under supervision.
- Disengage the snowblower and stop the engine.
- Remove the belt guard.
- Check the belts to make sure they are well inserted on the pulleys and have not flipped on their sides in the pulleys and that they do not touch the belt guides.
- Reinstall the belt guard.

Insert the handgrip (item 1) on the handle (item 2).

Insert the handle (item 2) through the support (item 3) as shown.

Insert the handle (item 2) in the rotation worm (item 5) and secure with a 2.5 mm. hair pin (item 4).

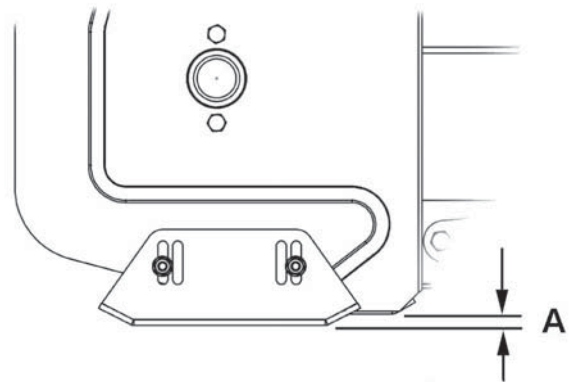


Install handle

## **VERIFY SKID SHOE ADJUSTMENT:**

**LEVEL PAVED SURFACE:** Adjust skid shoes to allow 3/16" to 1/4" clearance (A) between cutting edge and surface.

**UNEVEN OR GRAVEL SURFACE:** Adjust skid shoes to allow 1/2" to 5/8" clearance (A) between cutting edge and surface.



## **VERIFY TIRE PRESSURE:**

Attachments should raise 3" to 4" above ground (no more, no less) if not, check and adjust tractor tire pressure as follows:

Front tires: 14-15 psi  
Back tires: 7-8 psi

Tire pressure must be even on both sides of tractor.

Adjust skid shoes

# ASSEMBLY

## ROTARY BROOM INSTALLATION:

Refer to Rotary Broom owner's manual, parts breakdown section for parts identification.

9

**WARNING**

9

### **FOR YOUR SECURITY:**

Read the Rotary Broom owner's manual for safety precautions and rules.

Follow the assembly and operation instructions.

Attach the rotary broom to the subframe as shown.

Make sure the rotary broom is pushed in until locked into place by the springs (item 1).

9

**WARNING**

9

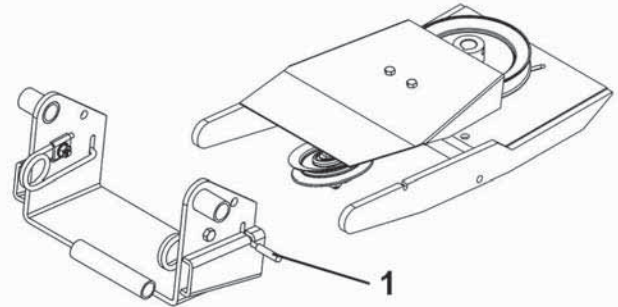
### **TO PREVENT INJURIES:**

Stop the motor.

Apply parking brake.

Remove the ignition key.

Disconnect the wire from the spark plug(s) and keep away from spark plug(s) to prevent accidental starting.



Attach rotary broom to subframe

Install the belt on the drive mechanism pulley (item 1) as shown.

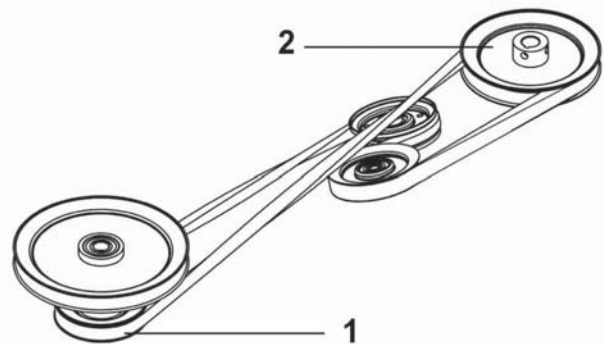
**NOTE:** See belt replacement instructions in the maintenance section of the rotary broom owner's manual.

9

**CAUTION**

9

**Never use the Rotary Broom without the belt guard.**



Item 1: Drive mechanism pulley

Item 2: Rotary broom pulley

Install belt

## VERIFY BELT ROUTING:

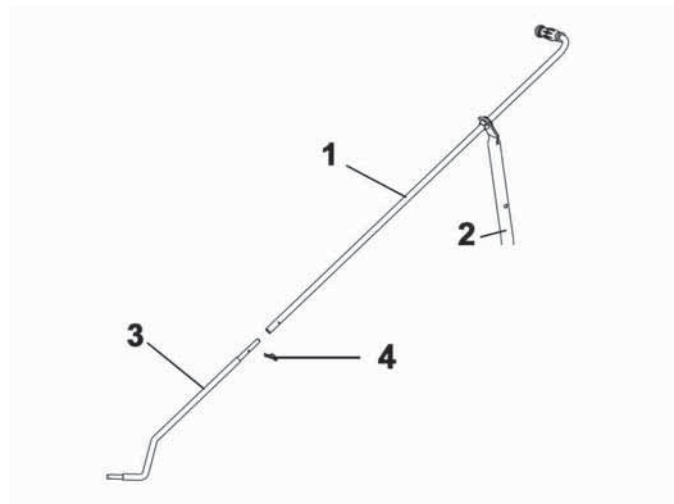
- Lower the rotary broom to the ground and let it run for a few seconds under supervision.
- Disengage the rotary broom and stop the engine.
- Check the belts to make sure they are well inserted on the pulleys and have not flipped on their sides in the pulleys and that they do not touch the belt guides.

# ASSEMBLY

Insert handgrip on the handle.

Insert the handle (item 1) through the support (item 2) as shown.

Install the handle on the control rod (item 3) as shown and secure with a 2.5 mm. hair pin (item 4).



Install handle

---

## **VERIFY TIRE PRESSURE:**

Attachments should raise 3" to 4" above the ground (no more, no less) if not, check and adjust tractor tire pressure as follows:

Front tires:	14-15 psi
Back tires:	7-8 psi

Tire pressure must be even on both sides of the tractor.

# ASSEMBLY

## **UTILITY BLADE INSTALLATION:**

Refer to Utility Blade owner's manual, parts breakdown section for parts identification.

9

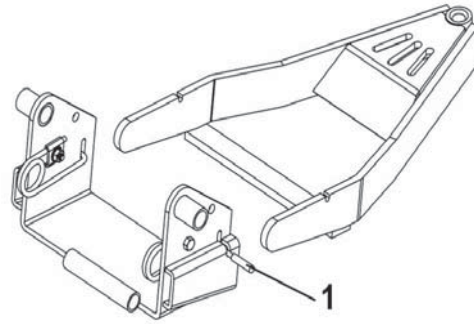
**WARNING**

9

### **FOR YOUR SECURITY:**

**Read the Utility Blade owner's manual for safety precautions and rules.**

**Follow the assembly and operation instructions.**



Attach the blade to the subframe as shown.

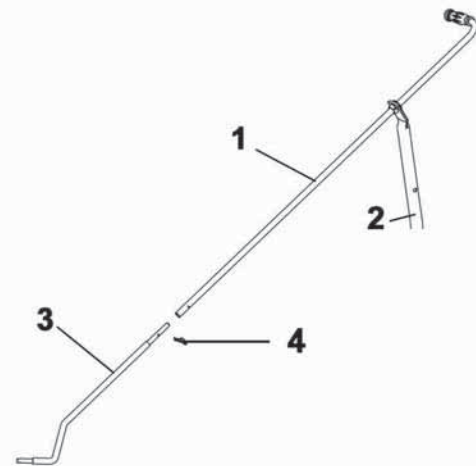
Make sure the blade is pushed in until locked into place by the springs (item 1).

Attach Utility Blade to subframe

Insert the handgrip on the handle.

Insert the handle (item 1) through the support (item 2) as shown.

Install the handle on the control rod (item 3) as shown and secure with a 2.5 mm hair pin (item 4).



Install handle

## **VERIFY TIRE PRESSURE:**

Attachments should raise 3" to 4" above the ground (no more, no less) if not, check and adjust tractor tire pressure as follows:

Front tires: 14-15 psi  
Back tires: 7-8 psi

Tire pressure must be even on both sides of the tractor.



# MAINTENANCE & DISMOUNTING

## MAINTENANCE

- a) Check mounting bolts at frequent intervals for proper tightness to be sure equipment is in safe working condition.
- b) Apply oil at all pivot points.

## DRIVE MECHANISM DISMOUNTING

**SEE ATTACHMENT OWNER'S MANUAL (SNOWBLOWER, BROOM AND BLADE) FOR DISMOUNTING INSTRUCTIONS.**

- a) Dismount the attachment.
- b) Remove the rear counterweight when you remove the front attachment.
- c) Dismount the drive mechanism by disconnecting the clutch rod and by removing the pins in front. Carefully lower to the ground. Detach the V-belt from engine pulley.
- d) You may leave the subframe on tractor all year long or remove it if preferred.
- e) Reinstall mower if needed.

## BELT REPLACEMENT

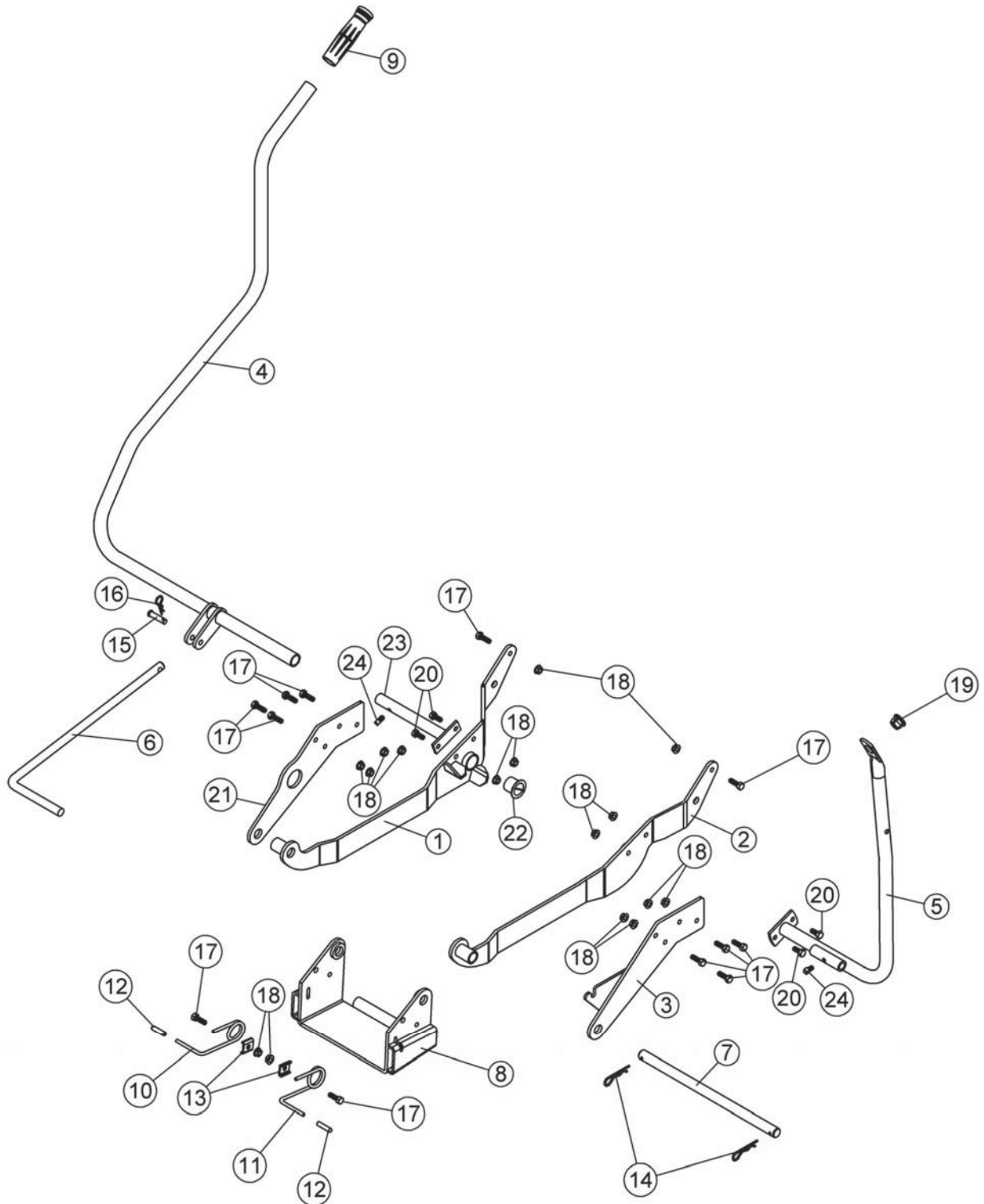
### Drive Mechanism Belt:

Before proceeding with this step, notice carefully how the belt guide is installed to avoid damage to the belt. When re-installing, remove the bolt which retains the tension pulley and the belt guide. Replace the belt and re-install the tension pulley and belt guide. Before tightening make sure the belt guide does not touch the belt at any time. Re-install the drive mechanism.

## END OF SEASON STORAGE

- a) Clean and paint all parts from which paint has worn.
- b) Apply oil at all pivot points.
- c) Inspect and replace all defective parts before using again.

# PARTS BREAKDOWN / NOMENCLATURE DES PIÈCES SUBFRAME / SOUS-CHÂSSIS

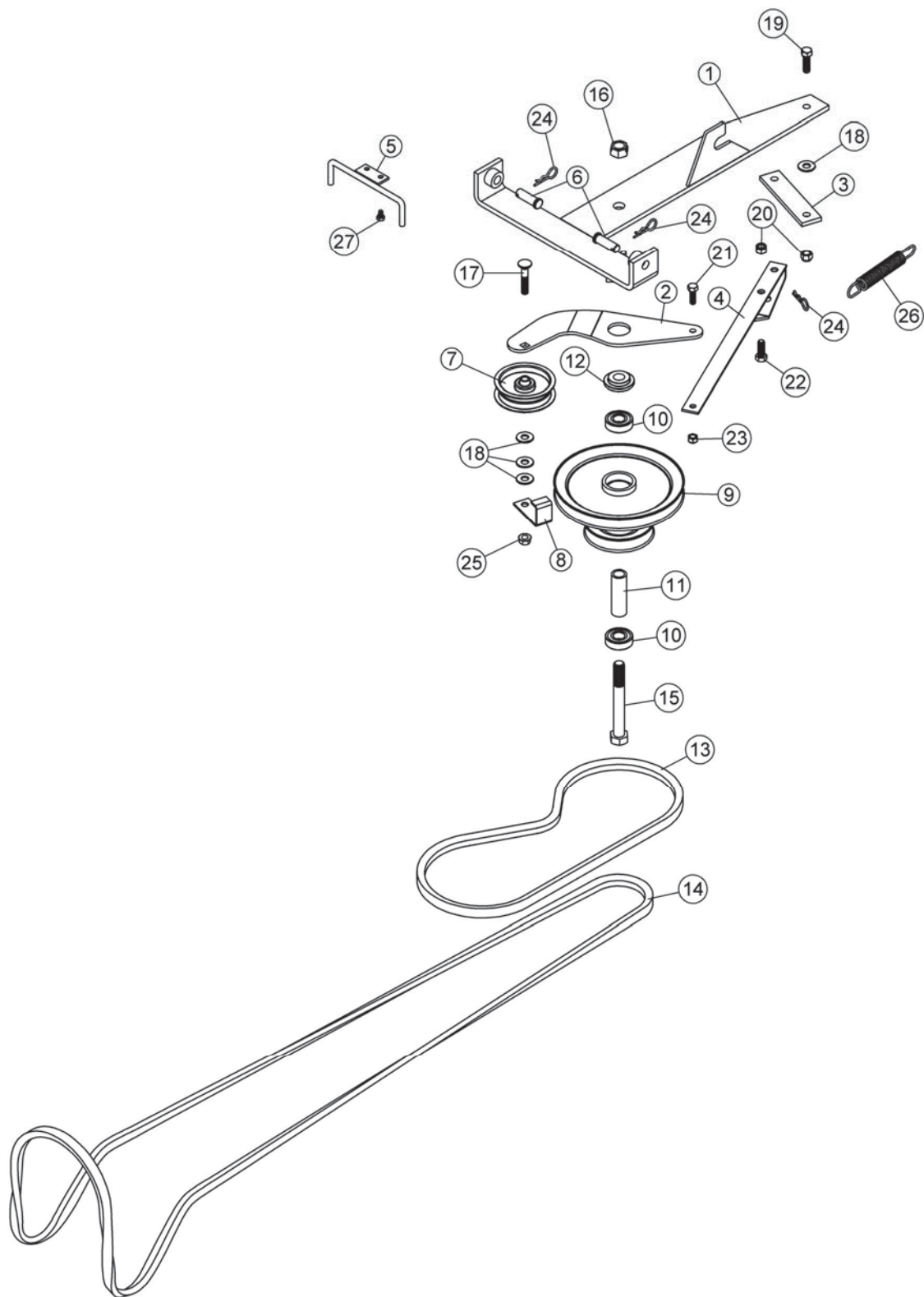


## PARTS LIST / LISTE DES PIÈCES

Ref. Réf.	English description	Description française	Qty. Qté.	Part # Pièce #
1	Right rear support	Support arrière droit	1	103472
2	Left rear support	Support arrière gauche	1	102984
3	Left front support	Support avant gauche	1	102985
4	Lift arm	Bras de relevage	1	102986
5	Handle support	Support de manivelle	1	102987
6	Push bar	Barre de poussée	1	102988
7	Pin	Goupille	1	102989
8	Pivot support	Support de pivot	1	102981
9	Handgrip	Poignée de plastique	1	102025
10	Right spring lock	Ressort de barrure droit	1	102209
11	Left spring lock	Ressort de barrure gauche	1	102208
12	Handgrip	Poignée	2	102248
13	Spring bracket	Fixation du ressort	2	102210
14	Hair pin 3mm	Goupille à ressort 3mm	2	102617
15	Pin	Goupille	1	102772
16	Hair pin 2.5mm	Goupille à ressort 2.5mm	1	102013
17	Hex. bolt 5/16" n.c. x 1"	Boulon hex. 5/16" n.c. x 1"	12	O/L
18	Flange nut 5/16" n.c.	Écrou à bride 5/16" n.c.	16	O/L
19	Plastic grommet	Oeillet de plastique	1	102063
20	Hex. bolt 5/16" n.c. x 3/4"	Boulon hex. 5/16" n.c. x 3/4"	4	O/L
21	Right front support	Support avant droit	1	103022
22	Nylon bushing	Coussinet en nylon	1	103087
23	Cab support	Support de cabine	1	103895
24	Square head set screw 5/16" n.c. x 1/2"	Vis à pression à tête carrée 5/16" n.c. x 1/2"	2	O/L

O/L = Obtain locally/obtenir localement

# PARTS BREAKDOWN / NOMENCLATURE DES PIÈCES DRIVE MECHANISM / MÉCANISME D'ENTRAÎNEMENT



## PARTS LIST / LISTE DES PIÈCES

Ref. Réf.	English description	Description française	Qty. Qté.	Part # Pièce #
1	Drive frame	Châssis d'entraînement	1	102990
2	Idler arm	Bras de tension	1	102991
3	Tension bar	Barre de tension	1	102992
4	Tension link	Lien de tension	1	102993
5	Belt guide	Guide-courroie	1	102994
6	Pin	Goupille	2	102995
7	Flat pulley	Poulie plate	1	102839
8	Belt guide	Guide-courroie	1	102840
9	Double pulley inc. 102736 & 102782	Poulie double inc. 102736 & 102782	1	102692
10	Bearing	Roulement à billes	2	102736
11	Sleeve	Douille	1	102782
12	Flange washer	Rondelle à bride	1	102969
13	V-Belt A-40	Courroie en V A-40	1	102999
14	V-Belt B-112	Courroie en V B-112	1	103010
15	Hex. bolt 5/8" n.c. x 5"	Boulon hex. 5/8" n.c. x 5"	1	O/L
16	Stover lock nut 5/8" n.c.	Écrou de blocage 5/8" n.c.	1	O/L
17	Carriage bolt 3/8" n.c. x 2"	Boulon à carrosserie 3/8" n.c. x 2"	1	O/L
18	Flat washer 7/16" hole	Rondelle plate 7/16" trou	4	O/L
19	Hex. bolt 3/8" n.c. x 1 1/4"	Boulon hex. 3/8" n.c. x 1 1/4"	1	O/L
20	Nylon insert lock nut 3/8" n.c.	Écrou à garniture de nylon 3/8" n.c.	2	O/L
21	Hex. bolt 5/16" n.c. x 1"	Boulon hex. 5/16" n.c. x 1"	1	O/L
22	Hex. bolt 3/8" n.c. x 1"	Boulon hex. 3/8" n.c. x 1"	1	O/L
23	Nylon insert lock nut 5/16" n.c.	Écrou à garniture de nylon 5/16" n.c.	1	O/L
24	Hair pin 2.5mm	Goupille à ressort 2.5mm	3	102013
25	Flange nut 3/8" n.c.	Écrou à bride 3/8" n.c.	1	O/L
26	Spring	Ressort	1	102304
27	Hex. bolt M6 x 1.00 x 10	Boulon hex. M6 x 1.00 x 10	1	O/L

O/L = Obtain locally/obtenir localement

# TORQUE SPECIFICATION TABLE

## GENERAL TORQUE SPECIFICATION TABLE USE THE FOLLOWING TORQUES WHEN SPECIAL TORQUES ARE NOT GIVEN

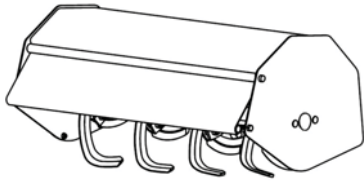
NOTE: These values apply to fasteners as received from supplier, dry or when lubricated with normal oil. They do not apply if special graphited or moly disulphide greases or other extreme pressure lubricants are used. This applies to both UNF and UNC threads.

SEE Grade No.		2				5				8 *			
BOLT HEAD IDENTIFICATION MARKS AS PER GRADE NOTE MANUFACTURING MARKS WILL VARY		TORQUE				TORQUE				TORQUE			
BOLT SIZE		POUNDS FEET		NEWTON-METERS		POUNDS FEET		NEWTON-METERS		POUNDS FEET		NEWTON-METERS	
Inches	Millimetre	Min.	Max.	Min.	Max.	Min.	Max.	Min.	Max.	Min.	Max.	Min.	Max.
1/4"	6.35	5	6	6.8	8.13	9	11	12.2	14.9	12	15	16.3	30.3
5/16"	7.94	10	12	13.6	16.3	17	20.5	23.1	27.8	24	29	32.5	39.3
3/8"	9.53	20	23	27.1	31.2	35	42	47.5	57	45	54	61	73.2
7/16"	11.11	30	35	40.7	47.4	54	64	73.2	86.8	70	84	94.9	113.9
1/2"	12.7	45	52	61	70.5	80	96	108.5	130.2	110	132	149.2	179
9/16"	14.29	65	75	88.1	101.6	110	132	149.2	179	160	192	217	260.4
5/8"	15.88	95	105	128.7	142.3	150	180	203.4	244.1	220	264	298.3	358
3/4"	19.05	150	185	203.3	250.7	270	324	366.1	439.3	380	456	515.3	618.3
7/8"	22.23	160	200	216.8	271	400	480	542.4	650.9	600	720	813.6	976.3
1"	25.4	250	300	338.8	406.5	580	696	786.5	943.8	900	1080	1220.4	1464.5

\*Thick nuts must be used with grade 8 bolts

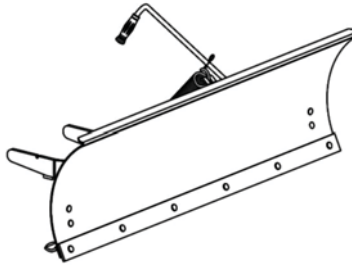
METRIC BOLT TORQUE SPECIFICATIONS							
Size Screw	Grade No.	Pitch (mm)	COARSE THREAD		FINE THREAD		
			Pounds Feet	Newton-Meters	Pitch (mm)	Pounds Feet	Newton-Meters
M6	4T	1.00	3.6 - 5.8	4.9 - 7.9	-	-	-
	7T		5.8 - 9.4	7.9 - 12.7		-	-
	8T		7.2 - 10	9.8 - 13.6		-	-
M8	4T	1.25	7.2 - 14	9.8 - 19	1.00	12 - 17	16.3 - 23
	7T		17 - 22	23 - 29.8		19 - 27	25.7 - 36.6
	8T		20 - 26	27.1 - 35.2		22 - 31	29.8 - 42
M10	4T	1.50	20 - 25	27.1 - 33.9	1.25	20 - 29	27.1 - 39.3
	7T		34 - 40	46.1 - 54.2		35 - 47	47.4 - 63.7
	8T		38 - 46	51.5 - 62.3		40 - 52	54.2 - 70.5
M12	4T	1.75	28 - 34	37.9 - 46.1	1.25	31 - 41	42 - 55.6
	7T		51 - 59	69.1 - 79.9		56 - 68	75.9 - 92.1
	8T		57 - 66	77.2 - 89.4		62 - 75	84 - 101.6
M14	4T	2.00	49 - 56	66.4 - 75.9	1.50	52 - 64	70.5 - 86.7
	7T		81 - 93	109.8 - 126		90 - 106	122 - 143.6
	8T		96 - 109	130.1 - 147.7		107 - 124	145 - 168
M16	4T	2.00	67 - 77	90.8 - 104.3	1.50	69 - 83	93.5 - 112.5
	7T		116 - 130	157.2 - 176.2		120 - 138	162.6 - 187
	8T		129 - 145	174.8 - 196.5		140 - 158	189.7 - 214.1
M18	4T	2.00	88 - 100	119.2 - 136	1.50	100 - 117	136 - 158.5
	7T		150 - 168	203.3 - 227.6		177 - 199	239.8 - 269.6
	8T		175 - 194	237.1 - 262.9		202 - 231	273.7 - 313
M20	4T	2.50	108 - 130	146.3 - 176.2	1.50	132 - 150	178.9 - 203.3
	7T		186 - 205	252 - 277.8		206 - 242	279.1 - 327.9
	8T		213 - 249	288.6 - 337.4		246 - 289	333.3 - 391.6

# ATTACHMENTS



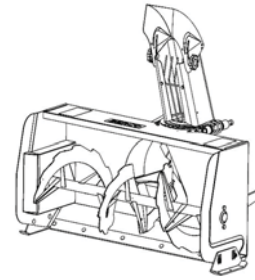
**ROTARY TILLER #700312**

Mounts to the rear of lawn & garden tractors 14 to 25 HP. Comes complete with drive & manual lift mechanisms & mounting hardware.



**UTILITY BLADE #700266**

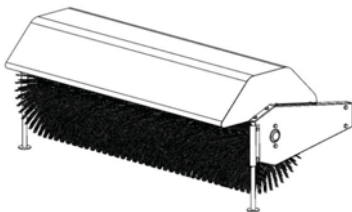
Mounts on the same subframe as the snowblower & rotary broom.



**SNOWBLOWER**

#700210 40"  
#700211 44"  
#700255 40"  
#700300 48"

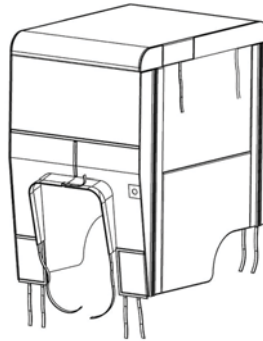
Fits on same subframe as rotary broom and utility blade.



**ROTARY BROOMS**

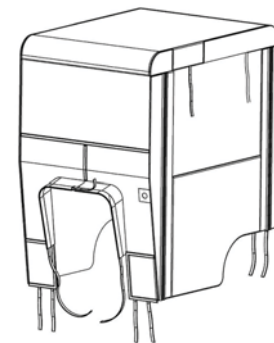
#700380 with nylon brush  
/#700381 with polypropylene brush.

Fits on same subframe as snowblower & utility blade. Requires an adaptor.



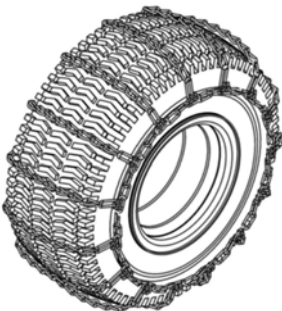
**TRACTOR SCREEN CAB  
#700313**

Universal type fits on a wide variety of lawn and garden tractors.



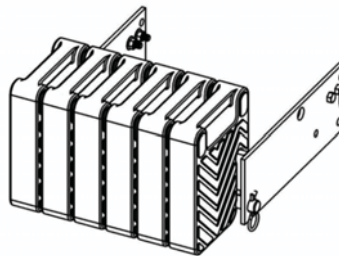
**TRACTOR WINTER CAB  
#700271**

Universal type fits on a wide variety of lawn and garden tractors.



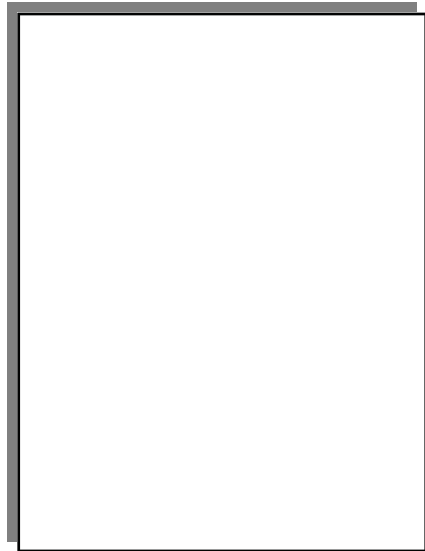
**TIRE CHAINS**

Two link spacing. Required for traction and safety.  
Pkg. of 2



**COUNTERWEIGHT**

#700240 Universal rear weights  
#700246 Rear weights Electrolux  
Required for safety and traction. Counterbalances weight of attachment.



**CHAÎNES À PNEUS**

Espacement à chaque deux mailles.  
Requis pour une meilleure traction  
et une plus grande sécurité.  
Emb. de 2

**CONTREPOIDS**

#700240 contrepois arrière  
universel  
#700246 contrepois arrière  
Electroflux  
Requis pour une plus grande  
sécurité et une meilleure traction.  
Contrebalance le poids des  
accessoires.

**CABINE D'HIVER POUR TRACTEUR**  
#700271

Type universel qui s'adapte sur la  
plupart des tracteurs de jardin &  
pelouse.

**CABINE MOUSTIQUE POUR  
TRACTEUR #700313**

Type universel qui s'adapte sur la  
plupart des tracteurs de jardin &  
pelouse.

**BALAI ROTATIF**  
#700380 avec brosse de nylon.  
#700381 avec brosse polypropylène.

Se monte sur le même sous-châssis  
que la souffeuse et la lame utilitaire.  
Requiert un adaptateur.

**SOUFFLEUSE**

#700210 40"  
#700211 44"  
#700255 40"  
#700300 48"

S'installe sur le même sous-châssis  
que le balai rotatif et la lame utilitaire.

**LAME UTILITAIRE #700266**

S'installe sur le même sous-châssis  
que la souffeuse & balai rotatif.

**ROTOCULTEUR #700312**

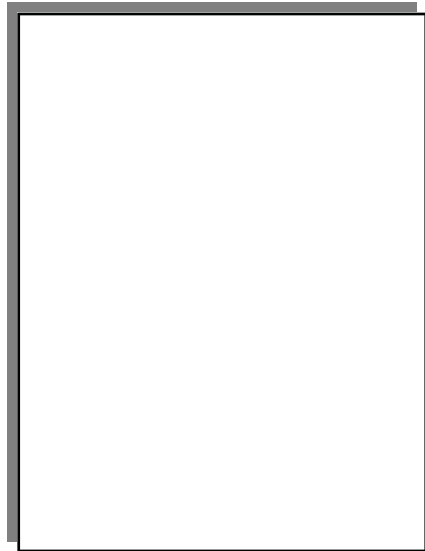
S'installe à l'arrière des tracteurs de  
pelouse & jardin de 14 à 25 cv.  
Inclus le mécanisme d'entraînement  
& de relavage manuel ainsi que le  
nécessaire de montage.

**ACCESSOIRES**









**CHAÎNES À PNEUS**

Espacement à chaque deux mailles.  
Requis pour une meilleure traction  
et une plus grande sécurité.  
Emb. de 2

**CONTREPOIDS**

#700240 contrepois arrière  
universel  
#700246 contrepois arrière  
Electroflux  
Requis pour une plus grande  
sécurité et une meilleure traction.  
Contrebalance le poids des  
accessoires.

**CABINE D'HIVER POUR TRACTEUR**  
#700271

Type universel qui s'adapte sur la  
plupart des tracteurs de jardin &  
pelouse.

**CABINE MOUSTIQUE POUR  
TRACTEUR #700313**

Type universel qui s'adapte sur la  
plupart des tracteurs de jardin &  
pelouse.

**BALAI ROTATIF**  
#700380 avec brosse de nylon.  
#700381 avec brosse polypropylène.

Se monte sur le même sous-châssis  
que la souffeuse et la lame utilitaire.  
Requiert un adaptateur.

**SOUFFLEUSE**

#700210 40"  
#700211 44"  
#700255 40"  
#700300 48"

S'installe sur le même sous-châssis  
que le balai rotatif et la lame utilitaire.

**LAME UTILITAIRE #700266**

S'installe sur le même sous-châssis  
que la souffeuse & balai rotatif.

**ROTOCULTEUR #700312**

S'installe à l'arrière des tracteurs de  
pelouse & jardin de 14 à 25 cv.  
Inclus le mécanisme d'entraînement  
& de relavage manuel ainsi que le  
nécessaire de montage.

**ACCESSOIRES**

# ENTRETIEN & DÉMONTAGE

## ENTRETIEN

## REMPLACEMENT DE LA COURROIE

### Courroie du mécanisme d'entraînement:

Avant de procéder à cette étape, veuillez bien noter la position dans laquelle le guide-courroie est installé afin d'éviter tout dommage à la courroie lors de la réinstallation. Enlever le boulon qui retient la poulie de tension et le guide-courroie. Remplacer la courroie et réinstaller la poulie et le guide-courroie. Avant de serrer, assurez-vous que le guide soit placé de façon à ce qu'en aucun temps il ne touche à la courroie. Réinstaller le mécanisme d'entraînement.

- a) Vérifiez les boulons de montage fréquemment afin de prévenir une réparation coûteuse. Assurez-vous que votre accessoire est en condition de travailler sécuritairement.
- b) Lubrifiez tous les points pivotants.

## DÉMONTAGE DU MÉCANISME D'ENTRAÎNEMENT

VOIR: LE MANUEL DU PROPRIÉTAIRE DE L'ACCESSOIRE (SOUFFLEUSE, BALAI ROTATIF ET LÂME UTILITAIRE) POUR LES INSTRUCTIONS DE DÉMONTAGE.

- a) Démontez l'accessoire.

- b) Enlevez les contrepois arrière lorsque vous enlevez l'accessoire.

- c) Démontez l'entraînement en déconnectant la tige d'embrayage et enlevant les goupilles avant. Baissez avec précaution au sol. Démontez la courroie de la poulie du moteur.

- d) Vous pouvez laisser le sous-châssis sur le tracteur en permanence ou l'enlever si vous préférez.

- e) Installez la tondeuse si requis.

- a) Nettoyez et peignez toutes les surfaces où la peinture a été utilisée.

- b) Lubrifiez tous les points pivotants.

- c) Inspectez et remplacez toutes les pièces défectueuses avant la prochaine saison.

# ASSEMBLAGE

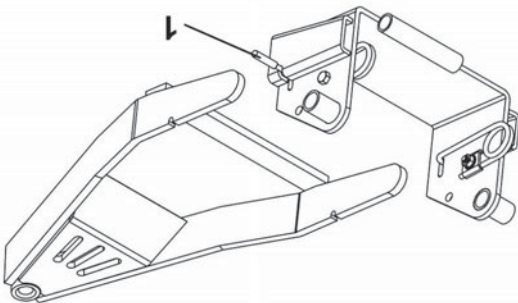
**INSTALLATION DE LA LAME UTILITAIRE:**  
 Référez-vous au manuel du propriétaire de la  
 lame Utilitaire, section nomenclature des pièces  
 pour leur identification.

## 9 ATTENTION 9

**POUR VOTRE SÉCURITÉ:**  
 Lisez le manuel du propriétaire de la lame  
 Utilitaire pour prendre connaissance des  
 précautions sécuritaires et consignes de  
 sécurité.  
 Suivre attentivement les instructions  
 d'assemblage et d'opération.

Attacher la lame au sous-châssis tel qu'illustré.

Assurez-vous que la lame est bien insérée jusqu'à ce  
 que les ressorts (item 1) la bloquent bien en place.

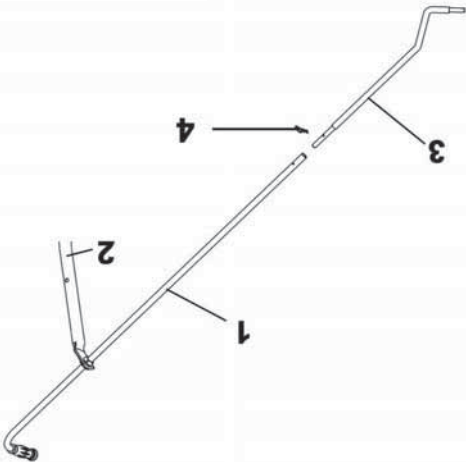


Attacher la lame au sous-châssis

Insérer la poignée de plastique sur la manivelle.

Insérer la manivelle (item 1) dans le support (item 2)  
 tel qu'illustré.

Installer la manivelle sur la tige de contrôle (item 3) tel  
 qu'illustré et sécuriser avec une goupille de 2,5 mm  
 (item 4).



Installer la manivelle

## VERIFIER LA PRESSION DES PNEUS:

Les accessoires doivent lever de 3" à 4" du sol, (ni  
 plus, ni moins), sinon, vérifier et régler la pression des  
 pneus comme suit:

Pneus avant: 14-15 lb /po<sup>2</sup>  
 Pneus arrière: 7-8 lb /po<sup>2</sup>

La pression des pneus doit être égale des deux côtés  
 du tracteur.

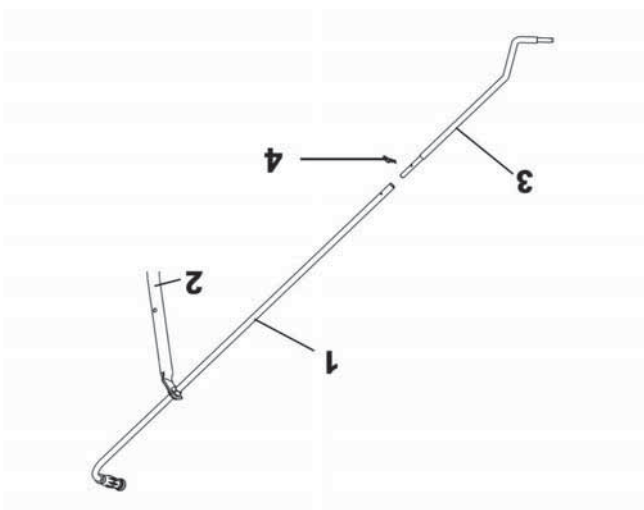
Les accessoires doivent lever de 3" à 4" du sol, (ni plus, ni moins), sinon, vérifier et régler la pression des pneus comme suit:

Pneus avant: 14-15 lb /po<sup>2</sup>  
 Pneus arrière: 7-8 lb /po<sup>2</sup>

La pression des pneus doit être égale des deux côtés du tracteur.

## VÉRIFIER LA PRESSION DES PNEUS:

Installer la manivelle



Insérer la poignée de plastique sur la manivelle.

Insérer la manivelle (item 1) dans le support (item 2) tel qu'illustré.

Installer la manivelle sur la tige de contrôle (item 3) tel qu'illustré et sécuriser avec une goupille de 2.5 mm (item 4).

## ASSEMBLAGE

# ASSEMBLAGE

## INSTALLATION DU BALAI ROTATIF:

Référez-vous au manuel du propriétaire du Balai Rotatif, section nomenclature des pièces pour leur identification .

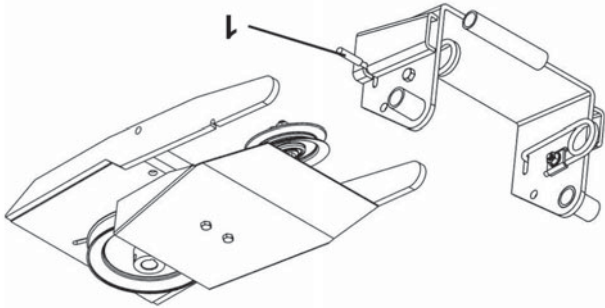
**9 ATTENTION**

**POUR VOTRE SÉCURITÉ:**  
Lisez le manuel du propriétaire du Balai Rotatif pour prendre connaissance des précautions sécuritaires et consignes de sécurité. Suivre attentivement les instructions d'assemblage et d'opération.

**9 ATTENTION**

**POUR PRÉVENIR DES BLESSURES:**  
Arrêtez le moteur.  
Appliquez le frein de stationnement.  
Enlevez la clé du contact.  
Débranchez le fil de la ou des bougie(s) et gardez-le éloigné de la ou des bougie(s) pour prévenir un démarrage accidentel.

Attacher le balai rotatif au sous-châssis tel qu'illustré.  
Assurez-vous que le balai rotatif est bien inséré jusqu'à ce que les ressorts (item 1) le bloque bien en place.



Installer le balai rotatif

Installer la courroie sur la poulie du mécanisme d'entraînement (item 1) tel qu'illustré.

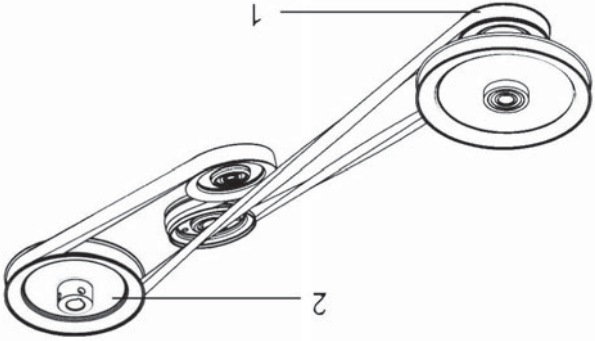
**NOTE:** Voir les instructions pour le remplacement de la courroie dans la section "Entretien" du manuel du balai rotatif.

**9 PRÉCAUTIONS**

**Ne jamais utiliser le Balai Rotatif sans le garde-courroie.**

## VÉRIFIER LE CHEMIN DE LA COURROIE:

-Abaisser le balai rotatif au sol et faire tourner pendant quelques secondes sous supervision.  
-Débrayer le balai rotatif et arrêter le moteur.  
-Vérifier si les courroies sont bien insérées dans les poulies et qu'elles ne soient pas tournées sur le côté et ne touchent pas aux guides-courroies.



Item 1 : Poulie du mécanisme d'entraînement  
Item 2 : Poulie du balai rotatif

Installer la courroie

# ASSEMBLAGE

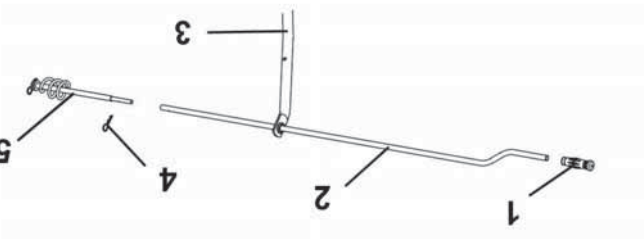
## VÉRIFIER LE CHEMIN DES COURROIES:

-Abaisser la souffluse au sol et faite-la tourner pendant quelques secondes sous supervision.  
 -Débrayer la souffluse et arrêter le moteur.  
 -Enlever le garde-courroie.  
 -Vérifier si les courroies sont bien insérées dans les poulies et qu'elles ne soient pas tournées sur le côté et ne touchent pas aux guides-courroies.  
 -Réinstaller le garde courroie

Insérer la poignée de plastique (item 1) sur la manivelle (item 2).

Insérer la manivelle (item 2) dans le support (item 3) tel qu'illustré.

Insérer la manivelle (item 2) sur la spirale de rotation (item 5) et sécuriser avec une goupille à ressort de 2.5 mm (item 4).



Installer la manivelle de rotation

## VÉRIFIER L'AJUSTEMENT DES PATINS:

**SURFACE PAVÉE:** Ajuster les patins pour obtenir de 3/16" à 1/4" de dégagement (A) entre le racloir et la surface.

**SURFACE INÉGALE OU DE GRAVIER:** Ajuster les patins pour obtenir de 1/2" à 5/8" de dégagement (A) entre le racloir et la surface.

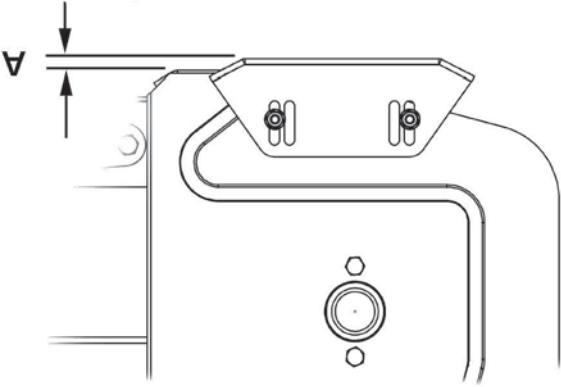
## VÉRIFIER LA PRESSION DES PNEUS:

Les accessoires doivent lever de 3" à 4" du sol, (ni plus, ni moins) sinon, vérifier et régler la pression des pneus comme suit:

Pneus avant: 14-15 lb /po<sup>2</sup>

Pneus arrière: 7-8 lb /po<sup>2</sup>

La pression des pneus doit être égale des deux côtés du tracteur.



Ajuster les patins



# ASSEMBLAGE

## ÉTAPE 3

### INSTALLATION DE LA SOUFFLEUSE:

Référez-vous au manuel du propriétaire de la Souffleuse, section nomenclature des pièces pour leur identification.

## 9 ATTENTION 9

**POUR VOTRE SÉCURITÉ:**  
Lisez le manuel du propriétaire de la Souffleuse pour prendre connaissance des précautions sécuritaires et consignes de sécurité.  
Suivre attentivement les instructions d'assemblage et d'opération.

Attacher la souffleuse au sous-châssis tel qu'illustré.  
Assurez-vous que la souffleuse est bien insérée jusqu'à ce que les ressorts (item 3) la bloque bien en place.

Tourner la poignée (item 1) vers l'arrière et installer la chaîne (item 2) sur le crochet (item 4). Tourner la poignée vers l'avant pour appliquer de la tension sur le ressort.

Installer la courroie sur les poulies de la souffleuse tel qu'illustré.  
Installer la courroie sur la poulie du mécanisme d'entraînement (item 5) sous le tracteur.  
Appliquer de la tension sur la courroie en levant le bras de tension.  
Réinstaller le garde-courroie.  
**NOTE:** Voir les instructions pour le remplacement des courroies dans la section "Entretien" du manuel de la souffleuse.

## 9 PRÉCAUTIONS 9

Ne jamais utiliser la souffleuse sans le garde-courroie.

## 9 PRÉCAUTIONS 9

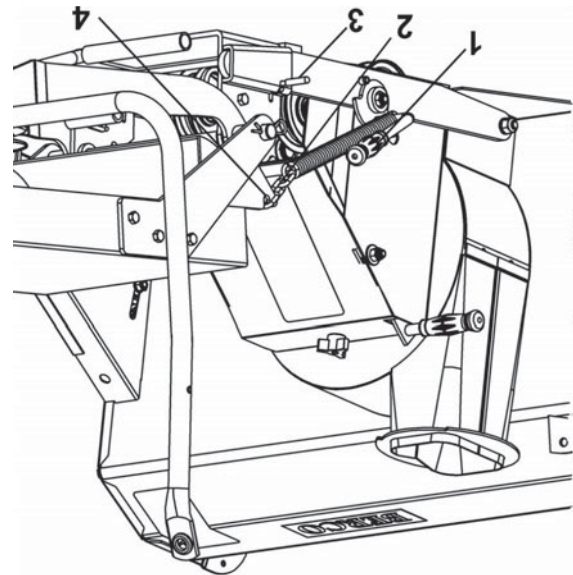
Le bras de tension de la courroie doit d'être tenu fermement lorsque vous déplacez le bras afin de prévenir des blessures.

# ASSEMBLAGE

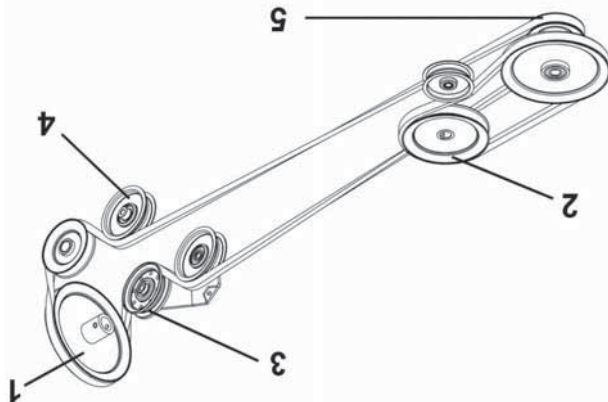
## 9 ATTENTION 9

### POUR PRÉVENIR DES BLESSURES:

Arrêtez le moteur.  
Appliquez le frein de stationnement.  
Enlevez la clé du contact.  
Débranchez le fil de la ou des bougie(s) et gardez-le éloigné de la ou des bougie(s) pour prévenir un démarrage accidentel.



Installer la souffleuse



Item 1: Poulie de la souffleuse

Item 2: Poulie du moteur du tracteur

Item 3: Poulie en V gauche

Item 4: Poulie plate droite

Item 5: Poulie du mécanisme d'entraînement

Installer la courroie et le garde-courroie

## ASSEMBLAGE

Installer le mécanisme d'entraînement sous le tracteur en accrochant la partie rainurée sur la barre transversale du mécanisme de relevage (item 1) du tracteur.

Fixer la partie avant au support arrière (item 2) avec deux goupilles (item 3), les têtes vers l'intérieur. Sécuriser avec une goupille à ressort de 2,5 mm. de chaque côté (item 4).

Pour faciliter l'installation de la courroie sur la poulie du moteur, enlever la courroie de la poulie de l'entraînement, insérez-la autour de la poulie du moteur et puis remettez sur la grande poulie du mécanisme d'entraînement.

Installer la tige d'embrayage au mécanisme du bras d'embrayage manuel du tracteur de la même façon qu'elle était installée sur la tondeuse.

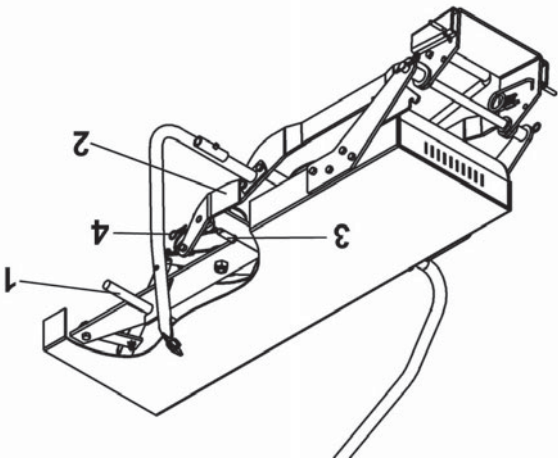
Sécuriser avec une goupille à ressort de 2,5 mm.

**NOTE:** Vérifier si le mécanisme d'embrayage fonctionne bien.

**Si les accessoires n'arrêtent pas rapidement lorsque vous débrayez le mécanisme d'entraînement, réajuster la tige d'embrayage.**

Assurez-vous que la courroie ne touche en aucun temps les guides-courroie lorsque l'embrayage de la P.D.F. est embrayé.

Installer le mécanisme d'entraînement



# ASSEMBLAGE

## ETAPE 2

### INSTALLATION DU MECANISME D'ENTRAINEMENT:

**NOTE:** Enlever la tondeuse pour installer le mécanisme d'entraînement. Souvenez-vous où le bout de la tige d'embrayage est installé parce que vous devez le réinstaller au même endroit lorsque vous installerez le mécanisme d'entraînement ou la tondeuse.

Démonter la tige d'embrayage de la tondeuse (item 1).

#### Pour le modèle LT 166:

Insérer la goupille (item 2) dans le trou sur la barre de tension (item 3) et dans le trou (celui le plus loin du bout) sur le lien de tension (item 4).  
Sécuriser avec une rondelle plate (item 5) et une goupille à ressort 2,5 mm. (item 6).

#### Pour le modèle LT155:

Insérer la goupille (item 2) dans le trou sur la barre de tension (item 3) et dans le trou (celui qui est plus proche du bout) sur le lien de tension (item 4).  
Sécuriser avec une rondelle plate (item 5) et une goupille à ressort 2,5 mm. (item 6).

#### Pour tracteur avec une tondeuse Freedom:

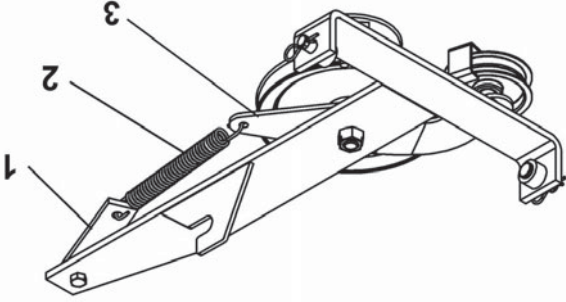
Enlever le lien de tension (item 1) du mécanisme d'entraînement et le réinstaller sens dessus dessous (la section pliée doit être sur le dessus). Sécuriser le lien de tension (utilisez le trou le plus loin du bout) et la barre de tension (item 2) avec un boulon hex 3/8 x 1" (item 3) et un écrou à garniture de nylon.  
Ne serrer pas les boulons complètement afin que le mécanisme d'embrayage bouge librement.

Installer la tige d'embrayage de la tondeuse (item 4) avec la goupille dans le trou situé sur le dessus du lien de tension (item 1).  
Sécuriser avec une rondelle plate (item 5) et une goupille à ressort 2,5 mm (item 6).

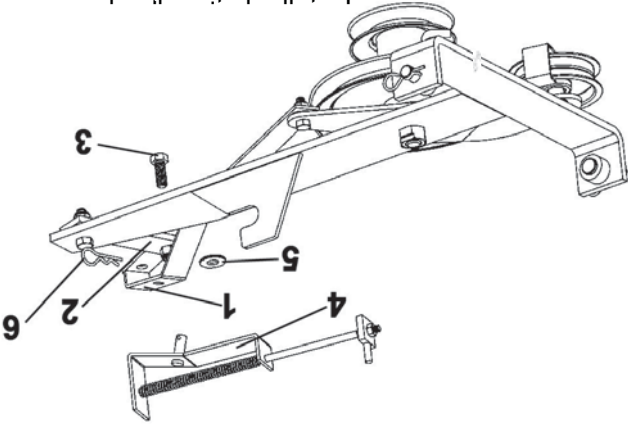
#### Pour le modèle LT190:

Pour installer le mécanisme d'entraînement vous devez enlever le lien de tension.  
Tourner la barre de tension (item 1) à gauche vers l'extérieur. Accrocher le ressort (item 2) dans le trou de la barre de tension.  
Etirer le ressort et accrocher l'autre bout au bras de tension (item 3).  
Assurez-vous que le bras de tension bouge librement.

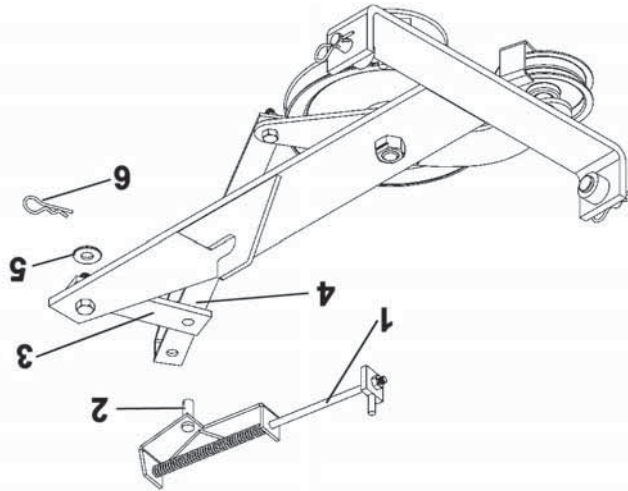
Installer le ressort



Installer la tige d'embrayage

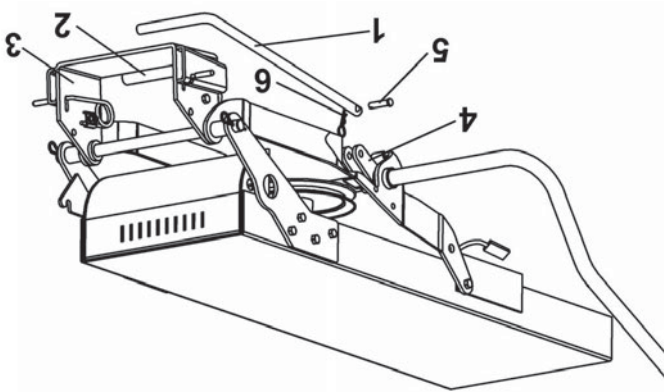


Installer la tige d'embrayage



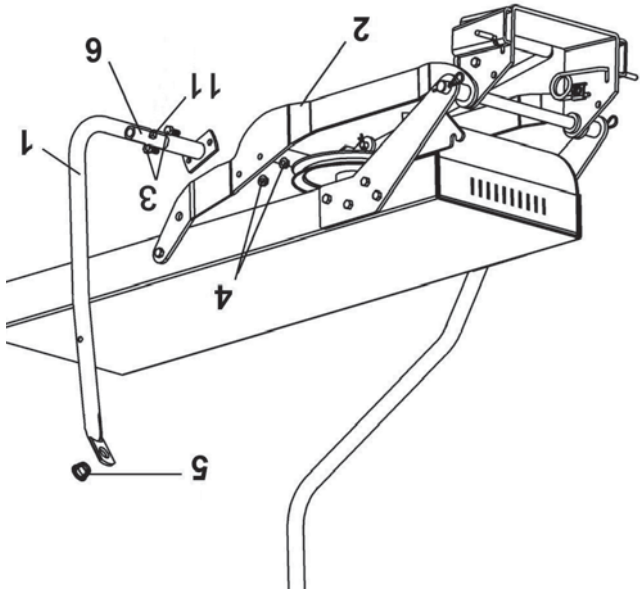
# ASSEMBLAGE

Installer la barre de poussée (item 1) en l'insérant dans la douille (item 2) soudée au bas du support de pivot (item 3).  
 Installer l'autre bout dans la fourche (item 4) du bras de relevage avec la goupille (item 5), la tête vers l'extérieur et une goupille à ressort 2,5 mm (item 6).



Installer la barre de poussée

Installer le support de la manivelle (item 1) sur le support arrière gauche (item 2) avec deux boulons hex. 5/16 x 3/4" (item 3) et écrous à bride (item 4).  
 Installer l'œillet de plastique (item 5) sur le support de manivelle (item 1).

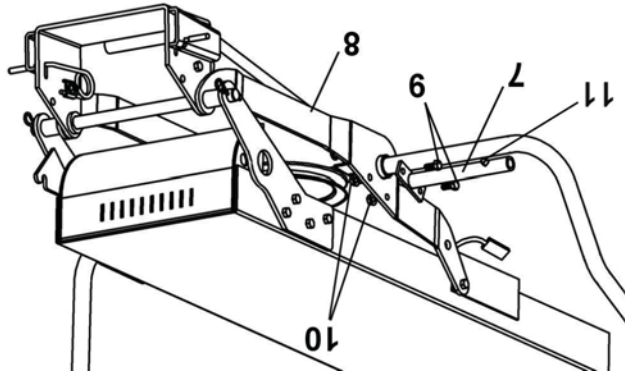


Installer le support de manivelle

## INSTALLATION DES SUPPORTS POUR LA CABINE BERCO (Tous les modèles) (si requis):

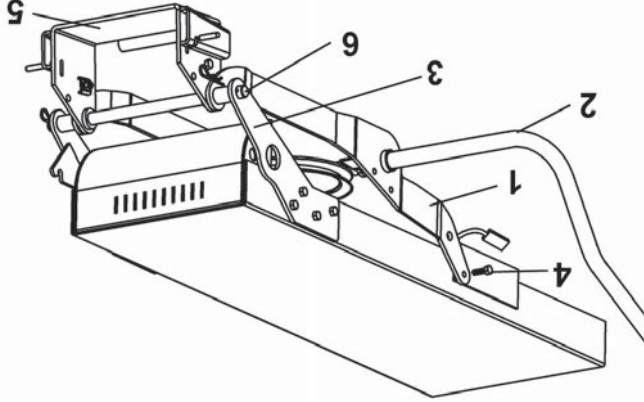
Ce sous-châssis inclut les supports avant pour installer la cabine Berco.  
 Le support gauche (item 6) est soudée au support de manivelle (1).

Installer le support droit pour la cabine (item 7) sur le support arrière droit (item 8) avec deux boulons hex. 5/16 x 3/4" (item 9) et deux écrous à bride (item 10).  
 Utiliser les vis à pression à tête carrée 5/16 x 1/2" (item 11) pour fixer les tiges de support de la cabine.



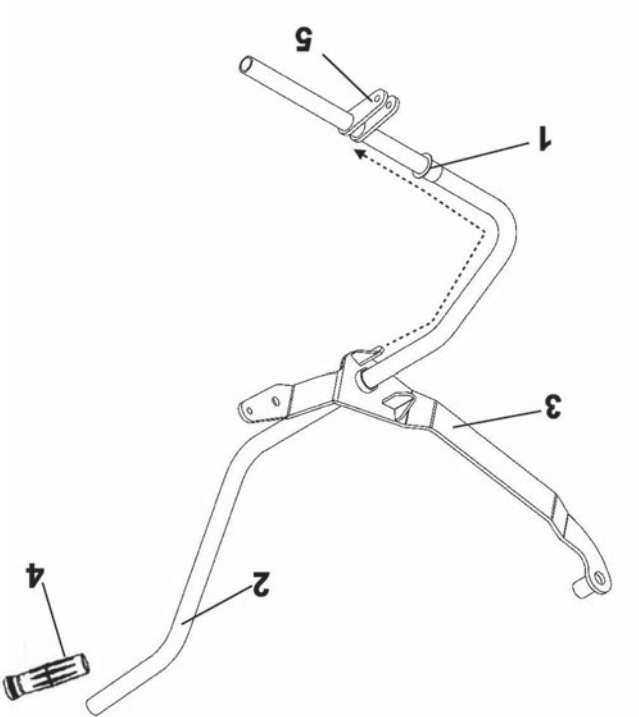
Installer le support droit pour la cabine.

Installer le support arrière et le support de pivot



Installer le support arrière droit assemblé avec le bras de relevage (items 1 & 2) à l'intérieur du support avant droit (item 3).  
 Fixer la partie arrière avec un boulon hex. de 5/16 x 1" (item 4) et un écrou à bride.  
 Installer le support de pivot (item 5) à l'intérieur des supports avant avec la goupille 3/4" Ø (item 6).  
 Fixer en place avec l'aide de deux goupilles à ressort 3 mm.  
 Serrer tous les boulons fermement et raccorder le fil de l'interrupteur de sécurité.

Installer le support sur le bras de relevage



Glisser le coussinet de nylon (item 1), la bride en premier, le long du bras de relevage (item 2) jusqu'à la fourche (item 5).  
 Glisser le support arrière droit (item 3) le long du bras de relevage et sur le coussinet de nylon.  
 Installer la poignée (item 4) sur le bras de relevage.

## ASSEMBLAGE

# ASSEMBLAGE

## ETAPE 1

### INSTALLATION DU SOUS-CHASSIS:

**IMPORTANT: SERREZ TOUTS LES BOULONS SELON LA TABLE DE SPECIFICATION DE COUPLE (VOIR SECTION ANGLAISE, "TORQUE SPECIFICATION TABLE") LORSQUE SPECIFIE: SERRER FERMEMENT. REFEREZ-VOUS A LA NOMENCLATURE DES PIÈCES POUR LEUR IDENTIFICATION.**

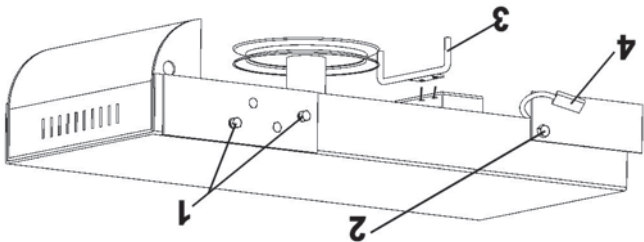
**NOTE:** Vous pouvez installer le sous-châssis avec ou sans la tondeuse. Cependant, sur certains modèles, la hauteur de relevage de la tondeuse sera réduite. Cependant, vous devez enlever la tondeuse si vous installez le mécanisme d'entraînement.

Débrancher le fil de l'interrupteur de sécurité (item 4). Enlever les boulons (items 1 & 2) de chaque côté du châssis.

Démonter le guide-courroie original du tracteur mais (seulement si vous installez le mécanisme d'entraînement) et le remplacer par celui (item 3) fourni dans cet ensemble. Placer la tige en "U" vers l'avant tel qu'illustré. **NE S'APPLIQUE PAS AU MODEL LT190.** Utilisez le boulon que vous avez enlevé du tracteur et un boulon hex. M6 x 10 fourni avec le mécanisme d'entraînement #700280.

**NOTE:** Vous devez réinstaller le guide courroie original lorsque vous réinstallez la tondeuse.

Changer le guide courroie original

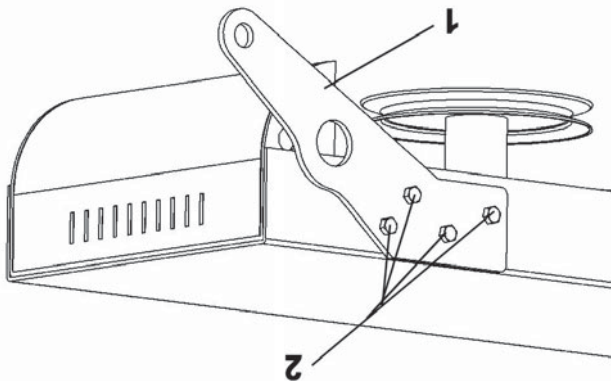


Installer les supports avant (item 1) avec quatre boulons hex. de 5/16 x 1" (item 2) et écrous à bride de chaque côté. Le support avant du côté droit est identifié par un trou supplémentaire pour l'échappement. Ne pas serrer.

### Pour le Model LT 190:

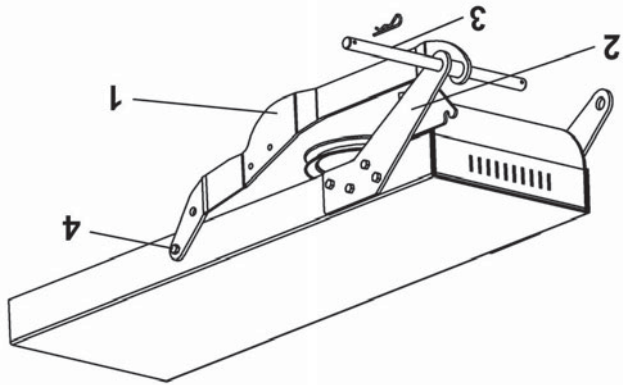
Installer les supports avant en utilisant deux boulons du tracteur, deux boulons hex. 5/16 x 1" et deux écrous à bride inclus avec cette ensemble.

Installer les supports avant



Installer le support arrière du côté gauche (item 1) à l'intérieur des supports avant (item 2) avec la goupille 3/4" Ø (item 3). Fixer la partie arrière avec un boulon hex. de 5/16 x 1" (item 4) et un écrou à bride. Ne pas serrer.

Installer le support arrière gauche



# PRÉCAUTIONS SÉCURITAIRES

- Utilisez seulement les accessoires approuvés par le fabricant de la souffluse (tels chaînes pour les pneus, cabines, contrepoids). Vous devez utiliser des contrepoids arrière, minimum 100 lb, pour une meilleure traction et une plus grande stabilité en tout temps, lorsque vous avez un accessoire installé à l'avant.
- N'opérez pas l'accessoire sans une bonne visibilité et éclairage.

## ENTRETIEN ET ENTREPOSAGE

- Vérifiez les boulons de montage à intervalles fréquents pour s'assurer qu'ils soient bien serrés afin de prévenir une réparation coûteuse. Assurez-vous que votre accessoire est en condition de travailler sécuritairement.

- Ne jamais entreposer le tracteur avec de l'essence dans le réservoir à l'intérieur d'une bâtisse où il y a des sources d'ignition comme des réservoirs d'eau chaude, sécheuses, source de chaleur, etc... Laisser refroidir le moteur avant de l'entreposer à l'intérieur.
- Toujours vous référer au manuel du propriétaire lorsque vous entreposez l'accessoire pour une période prolongée ou indéterminée.
- Maintenir et remplacer les décalques de sécurité et d'instructions au besoin.

LORSQUE VOUS VOYEZ CE SYMBOLE

9

CELA SIGNIFIE:

ATTENTION!

SOYEZ PRUDENT!

VOTRE SÉCURITÉ EST EN CAUSE!

9 ATTENTION 9

POUR VOTRE SÉCURITÉ:

Lisez le manuel du propriétaire des accessoires pour prendre connaissance des précautions sécuritaires et consignes de sécurité.

Suivre attentivement les instructions d'assemblage et d'opération.

9 ATTENTION 9

POUR PRÉVENIR DES BLESSURES & OBTENIR UNE MEILLEURE TRACTION LORS DE L'UTILISATION DE L'ACCESSOIRE:

-Des contrepoids arrière, minimum de 100 lb sont requis afin de contrebalancer le poids de l'accessoire.  
-Chaînes à pneus approuvées par le fabricant sont requises.  
-Ne pas opérer dans une pente de plus de 10°. Lors du démontage de l'accessoire, enlevez les contrepoids arrière.

# PRÉCAUTIONS SÉCURITAIRES

Une opération prudente est votre meilleure assurance contre un accident. Lisez cette section attentivement avant d'opérer le tracteur et l'accessoire. Ne pas respecter les instructions de sécurité suivantes peut entraîner de sérieuses blessures. Tous les opérateurs, peu importe leur expérience, devraient lire ce manuel et tout autre manuel relatif au tracteur et à l'accessoire avant l'opération. C'est l'obligation légale du propriétaire d'enseigner à tous les opérateurs

## FORMATION

9

Ce symbole d'avertissement sécuritaire est utilisé partout dans ce manuel et sur les décalques de sécurité des accessoires pour vous aviser des possibilités de blessures sérieuses. S.V.P. portez une attention particulière à la lecture et à la compréhension des précautions sécuritaires avant d'opérer l'accessoire ou le tracteur.

1. Lisez ce Manuel du Propriétaire attentivement. Soyez complètement familier avec les contrôles et l'utilisation correcte de l'accessoire. Sachez comment arrêter l'unité et débrayer les contrôles rapidement.

2. Ne permettez jamais à un enfant d'opérer le tracteur ni l'accessoire. Ne permettez jamais à un adulte d'opérer le tracteur ni l'accessoire sans qu'il ait la formation nécessaire.

3. Ne pas opérer le tracteur ni l'accessoire si vous êtes sous l'influence de l'alcool, des drogues ou médicaments. Ceux-ci affaiblissent les facultés et diminuent le temps de réaction.

4. Gardez l'endroit d'opération libre de toute personne, particulièrement de jeunes enfants ou animaux domestiques.

## PRÉPARATION

1. Faites une inspection complète de l'endroit où la l'accessoire sera utilisé et enlever les essuie-pieds et tout autre objet étranger.

2. Débrayer tous les embrayages et passer au neutre avant de démarrer le moteur.  
3. Ne jamais opérer les accessoires sans porter des vêtements adéquats. Éviter les vêtements et accessoires amples qui pourraient se prendre dans les pièces rotatives. Portez des chaussures anti-dérapantes qui vont vous aider à garder l'équilibre sur les surfaces glacées.  
4. Manipulez l'essence avec précaution, il est extrêmement inflammable.  
a) Utilisez un contenant à essence approuvé.  
b) Ne jamais ajouter de l'essence quand le moteur est chaud ou en marche.  
c) Remplissez le réservoir à essence à l'extérieur avec extrême prudence. Ne jamais remplir le réservoir à l'intérieur.

## OPÉRATION

1. Ne pas faire tourner le moteur à l'intérieur excepté pour démarrer, entrer et sortir du bâtiment. Ne pas opérer ou faire tourner le moteur dans un endroit sans ventilation car l'essence contient du monoxyde de carbone qui est sans odeur, sans couleur et peut causer la mort.  
2. Ne transportez pas de passager sur le tracteur ou sur les accessoires.  
3. Prenez toutes les précautions nécessaires lorsque vous quittez subitement votre tracteur. Abaissez l'accessoire, placez la transmission en position neutre, appliquez le frein de stationnement, arrêtez le moteur et enlevez la clé. Attendez que toutes les pièces mobiles soient arrêtées.

7. Ne jamais modifier l'accessoire ni aucune des pièces sans le consentement écrit du fabricant.

5. Ne faire aucun ajustement lorsque le moteur est en marche (excepté lorsque cela est recommandé par le fabricant).  
6. Toujours porter des lunettes de sécurité durant l'opération, pendant les ajustements ou des réparations pour protéger les yeux de tout objet qui pourrait être projeté par la machine.

d) Ne jamais remplir les contenants à l'intérieur d'un véhicule ou sur un camion ou sur un camion plateforme avec une doublure de caïssé. Toujours placer les contenants sur le sol loin de votre véhicule avant le remplissage.  
e) Lorsque possible, enlever les équipements à essence du camion ou de la remorque et faire le plein d'essence au sol. Si ce n'est pas possible, faire le plein d'essence avec un contenant à essence portatif plutôt que directement de la pompe à essence.  
f) Gardez le bec verseur en contact avec le rebords du réservoir d'essence ou de l'ouverture du contenant en tout temps, jusqu'au remplissage complet. Ne pas utiliser un dispositif de serrure ouvert sur le bec verseur.  
g) Fermez le couvercle du réservoir fermement et essayez les éclairoussures.  
h) Si vous renversez de l'essence sur les vêtements, changez les vêtements immédiatement.



# INTRODUCTION

À L'ACHETEUR

Ce nouvel accessoire a été soigneusement conçu pour vous donner plusieurs années de bons services. Ce manuel a pour but de vous aider à utiliser prudemment votre accessoire.

**NOTE:** Toutes les photographies et illustrations de ce manuel peuvent ne pas être du modèle ou de l'accessoire en main et ne sont présentées qu'à titre de référence. Elles sont basées sur les dernières informations disponibles lors de la publication.

Familiarisez-vous avec les recommandations de sécurité et les procédures d'utilisation avant d'utiliser l'accessoire. Lisez et suivez attentivement ces recommandations et insistez pour qu'elles soient suivies par ceux qui se serviront de l'accessoire avec vous.

**DANS CE MANUEL, CE SYMBOLE D'AVERTISSEMENT SÉCURITAIRE IDENTIFIE UN MESSAGE DE SÉCURITÉ IMPORTANT QUI VOUS AIDERA AINSI QUE TOUTE AUTRE PERSONNE À ÉVITER DES BLESSURES GRAVES ET MÊME LA MORT. DANGER, ATTENTION, PRÉCAUTION SONT DES MOTS D'AVERTISSEMENT POUR IDENTIFIER LES NIVEAUX DE DANGER. TOUJOURS, SOYEZ TOUJOURS EXTRÊMEMENT PRUDENT.**

**DANGER:** Signifie un danger extrême qui causera des blessures graves ou même la mort, si les précautions recommandées ne sont pas respectées.

**ATTENTION:** Signifie un danger qui peut causer des blessures graves ou même la mort, si les précautions recommandées ne sont pas respectées.

**PRÉCAUTION:** Signifie un danger qui peut causer des blessures mineures si les précautions recommandées ne sont pas respectées.

Notez le numéro de série avec la date d'achat de votre accessoire (il n'y a pas de numéro de série attribué au sous-chassis) dans la section réservée ci-dessous. Votre détaillant exige cette information afin d'assurer un service rapide et efficace lorsque des pièces de rechange sont à commander. Remplacez les pièces défectueuses par des pièces d'origine seulement.

Si des réparations sur garantie sont nécessaires, veuillez présenter ce livret d'enregistrement et la facture de vente originale à votre concessionnaire.

**Ce manuel devrait être conservé pour référence future.**  
**S.V.P. Vérifier si vous avez reçu toutes les pièces de votre ensemble avec la liste du sac et liste de la boîte.**

NUMÉRO DE SÉRIE:	_____
DATE D'ACHAT:	_____

*Dans ce manuel, le côté droit et le côté gauche sont déterminés en étant assis sur le siège du tracteur et regardant vers l'avant.*

Dans ce manuel, "accessoire" veut dire instrument que vous pouvez installer sur le tracteur comme, souffleuse, balai rotatif, lame, rotoculteur, cabine, sous-châssis etc...

# TABLE DES MATIÈRES

PAGE		INTRODUCTION .....	2
		PRÉCAUTIONS SÉCURITAIRES .....	3
		ASSEMBLAGE	
		Étape 1: Installation de sous-châssis .....	5
		Étape 2: Installation du mécanisme d'entraînement .....	8
		Étape 3: Installation de la Souffleuse .....	10
		Installation du Balai Rotatif .....	12
		Installation de la Lame Utilitaire .....	14
		ENTRETIEN & DÉMONTAGE	
		Entretien .....	15
		Démontage du mécanisme d'entraînement .....	15
		Remplacement de la courroie .....	15
		Entreposage de fin de saison .....	15
		OPTIONS & ACCESSOIRES .....	16
		RÉFÉREZ-VOUS À LA SECTION ANGLAISE POUR:	
		NOMENCLATURE ET LISTE DES PIÈCES	
		Sous-châssis .....	16
		Mécanisme d'entraînement .....	18
		TABLE DE SPÉCIFICATION DE COUPLE .....	20
		DÉPANNAGE	

Voir le manuel du propriétaire des accessoires pour cette section. (Souffleuse, Balai Rotatif et Lame Utilitaire)

# GARANTIE LIMITÉE

## Couverture des Produits et Conditions

BERCOMAC garantit toute pièce ou accessoire fabriqué par BERCOMAC et trouvé, selon la discrétion raisonnable de BERCOMAC, être défectueux en matériel ou dans sa fabrication, sera réparé, remplacé ou ajusté par un marchand autorisé sans frais, jusqu'à concurrence maximale du taux horaire et du temps de réparation pré-établi. Pour le remplacement des pièces, seuls les frais de transport mode régulier sont couverts. Cette garantie est valide pour le premier propriétaire et ne peut être transférée à un autre propriétaire. La période de garantie débute à la date d'achat au détail.

## Période de Garantie

(à partir de la date d'achat au détail):

- Usage Résidentiel: 1 an
- Location ou usage commercial: 90 jours

## Voix exception:

Les items suivants sont garanties par le manufacturier d'origine et ont leurs propres conditions et durée limitée:

- Chaines à pneus: 90 jours
- Moteurs (fourni avec les équipements BERCOMAC): 2 ans

Veillez vous référer à la garantie du manufacturier incluse avec l'unité. Bercomac n'est pas autorisé à agir concernant les garanties d'ajustement des moteurs.

## Conditions et Items Non Couverts:

Cette garantie n'inclut pas ce qui suit:

- Frais pour ramassage, de livraison, ou service à domicile;
- N'importe quel dommage ou détérioration de la marchandise, pièce ou finition due à l'utilisation normale, l'usure, bris et déchirure, ou l'exposition.
- Frais relatifs à l'usage et à la maintenance régulière tels que lubrifiants, gazoline, huile, pièces de mise au point et ajustements.
- N'importe quel pièce ou accessoire qui a été altéré, modifié, négligé, brisé accidentellement, mal installé, mal entretenu, remis ou réparé non conformément aux instructions dans le manuel du propriétaire.
- N'importe quelle réparation due à l'usure normale des pièces tel que les goupilles de sécurité, boulons, courroies, etc.
- Frais de transport en mode accéléré pour pièces de remplacement.
- Boulons et goupilles de sécurité sont considérés comme une mesure préventive et ne sont pas une protection assurée. Tout dommage provenant d'un non fonctionnement n'est pas couvert.

Note: Tout travail effectué sur garantie doit être exécuté par un marchand autorisé BERCOMAC utilisant des pièces de remplacement d'origine.

Note: BERCOMAC se réserve le droit de changer ou améliorer la conception de toute pièce et / ou accessoire sans assumer aucune obligation à modifier les produits fabriqués auparavant.

## Instructions pour Obtenir le Service sur Garantie

Contactez le marchand ou vous avez acheté le produit ou tout autre marchand de service BERCOMAC pour fixer un rendez-vous à leur atelier. Pour localiser un marchand de votre choix, visiter notre site web au [www.bercomac.com](http://www.bercomac.com). Apporter le produit et votre preuve d'achat (facture) chez votre marchand de service BERCOMAC.

**ATTENTION:**  
 LIRE & SUIVRE TOUTES LES RÈGLES DE SÉCURITÉ & INSTRUCTIONS  
 AVANT D'UTILISER CET ÉQUIPEMENT

- \* ASSEMBLAGE
- \* OPÉRATION
- \* PIÈCES DE RÉPARATION
- \* ENTRETIEN

**BERCO**  
*Sous-châssis & mécanisme d'entraînement*  
 pour tracteurs  
**JOHN DEERE SÉRIE LT**



**700280-1**

**700279-3**

*Modèle Numéro*

**MANUEL DU PROPRIÉTAIRE**

