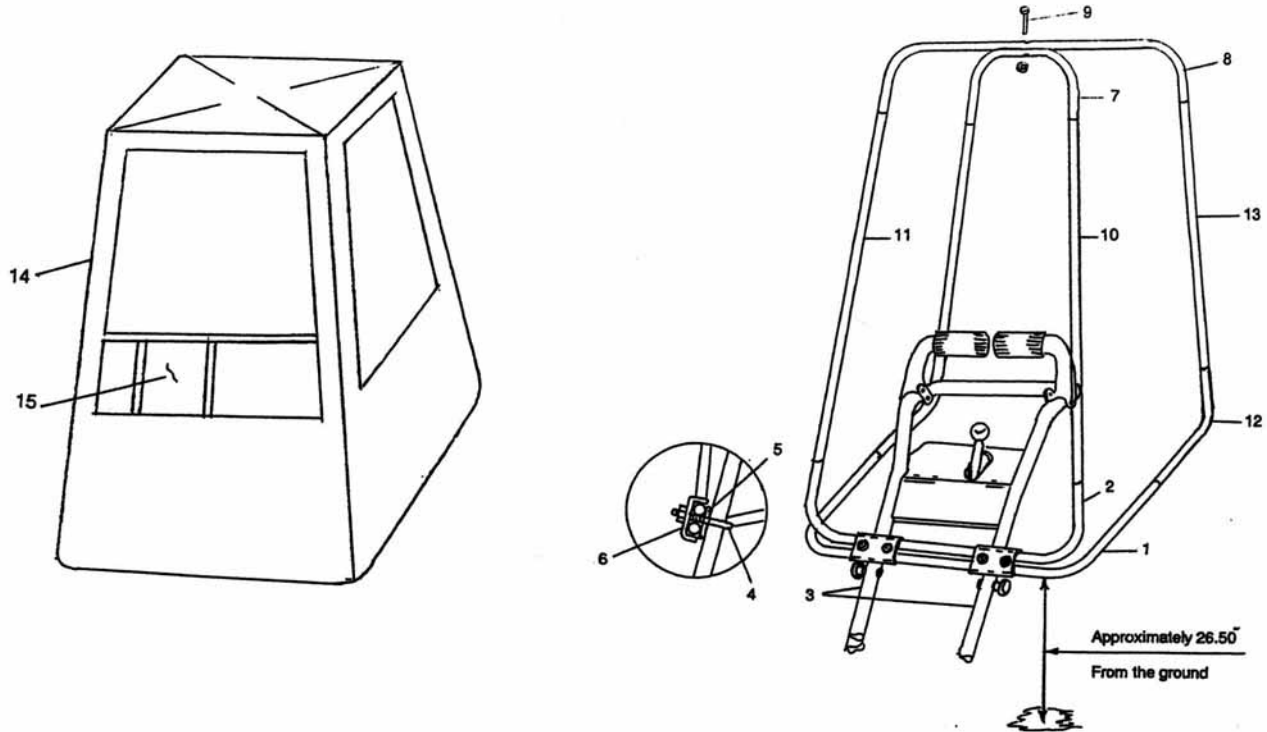


CAB FOR WALK-BEHIND SNOWBLOWERS #700330 INSTALLATION



CAB INSTALLATION :

- a) Install two front tubes (items 1 & 2) inside bracket (item 6).
- b) Insert shim (item 5) between the front tubes and snowblower handle bars.
- c) Insert a U-bolt (item 4) around the snowblower handle bars (item 3) towards the front of the snowblower going through the two holes of the shim, between tubes (items 1 & 2) and through the brackets holes. Moderately tighten with two 5/16" flange nuts supplied.
- d) **Repeat installation instructions for the other side.**
- e) Insert the two posts (items 10 & 11) in the front upper tube (item 2).
- f) Assemble tubes (items 7 & 8) in a cross shape with a #10 x 1 1/4" screw (item 9), tighten screw firmly with a #10 nylon insert lock nut.
- g) Insert the tubes of the roof (items 7 & 8) in the front posts (items 10 & 11).
- h) Install the bottom rear tubes (item 12) and insert rear posts (item 13) connecting them to roof (items 7 & 8).
- i) Place the front of the frame (item 1) perpendicular to the ground (approximately 26.5") and tighten the nuts on the U bolts very firmly (it is normal for the top and bottom front tubes become slightly dented).
- j) Install the canvas (item 14) over the frame and secure with the hook-it bands.

NOTE: If your tractor is equipped with a headlight, open the small front window (item 15) and secure it on the dash board with the hook-it band included in this kit.