

Berco
Prestige Two Stage 48" Snowblower
For
ALL TERRAIN VEHICLES

- * ASSEMBLY
- * OPERATION

- * REPAIR PARTS
- * MAINTENANCE

CAUTION:
READ & FOLLOW ALL SAFETY RULES & INSTRUCTIONS BEFORE
OPERATING YOUR EQUIPMENT

WARRANTY

LIMITED ONE YEAR ON NORTHEAST A.T.V. SNOWBLOWER

Snowblower Warranty:

For one year from date of purchase, BERCOMAC will repair or replace free of charge at BERCOMAC option, any parts which are defective as a result of defective material or faulty workmanship.

Warranty service is available by returning the "Northeast" snowblower to the authorized dealers.

COMMERCIAL OR RENTAL USE:

Warranty on BERCO Northeast snowblower used for commercial or rental purposes is limited to 90 days.

This warranty does NOT cover:

- * Wear items, such as shear bolts and belts
- * Repairs due to customer abuse or neglect
- * Pre-delivery set-up
- * In home service

Engine Warranty:

Warranty for the Kohler engine is two years and is directly offered by Kohler.

Warranty service is available by returning the Kohler engine to the authorized dealers.

For information: Tel: 1-800-544-2444

BERCOMAC Limitée
92 Fortin N, Adstock (Québec) Canada, G0N 1S0

TABLE OF CONTENTS

	PAGE
INTRODUCTION	2
SAFETY PRECAUTIONS	3
SAFETY DECALS	5
ASSEMBLY	
Step 1: Bracket Installation	6
Step 2: Snowblower Preparation	7
Attaching Plate Adjustment	9
Installing Winch Cable	9
Verify Skid Shoe Adjustment	9
Step 3: Engine Preparation	10
Saddle Preparation	10
OPERATION	
Operating the Snowblower	11
Electric Controls	11
Removing Snow	11
MAINTENANCE	
Maintenance	12
Adjustments	12
Lubrication	12
Cutting Edge Maintenance	12
Auger and Fan Shear Bolt Replacement	12
Dismounting the Snowblower	12
Storage	12
BELT REPLACEMENT & ADJUSTMENTS	13
TROUBLESHOOTING	14
PARTS BREAKDOWN AND PARTS LIST	
Rotation System with Chute	16
Saddle Assembly	18
Snowblower	20
Subframe	24
TORQUE SPECIFICATION TABLE	27

INTRODUCTION

TO THE PURCHASER

This new attachment was carefully designed to give years of dependable service. This manual has been provided to assist in the safe operation and servicing of your attachment.

NOTE: All photographs and illustrations in the manual may not necessarily depict the actual models or attachment, but are intended for reference only and are based on the latest product information available at the time of publication.

Familiarize yourself fully with the safety recommendations and operating procedures before putting the machine to use. Carefully read, understand and follow these recommendations and insist that they be followed by those who will use this attachment.



THIS SAFETY ALERT SYMBOL IDENTIFIES AN IMPORTANT SAFETY MESSAGE IN THIS MANUAL THAT HELPS YOU AND OTHERS AVOID PERSONAL INJURY OR EVEN DEATH. DANGER, WARNING, AND CAUTION ARE SIGNAL WORDS USED TO IDENTIFY THE LEVEL OF HAZARD. HOWEVER, REGARDLESS OF THE HAZARD, BE EXTREMELY CAREFUL.

DANGER: Signals an extreme hazard that will cause serious injury or death if recommended precautions are not followed.

WARNING: Signals a hazard that may cause serious injury or death if the recommended precautions are not followed.

CAUTION: Signals a hazard that may cause minor or moderate injury if the recommended precautions are not followed.

Record your attachment serial number and purchase date in the section reserved below. Your dealer requires this information to give you prompt, efficient service when ordering replacement parts. Use only genuine parts when replacements are required.

If warranty repairs are required please present this registration booklet and original sales invoice to your selling dealer for warranty service.

This manual should be kept for future reference.

Please check if you have received all the parts for your kit with the list of the bag and the list of the box.

SERIAL NUMBER : _____

PURCHASE DATE : _____

In this manual, right and left sides are determined by sitting on the A.T.V. seat facing forward.

In this manual, "attachment" means accessories that you install on the A.T.V. such as a snowblower.

SAFETY PRECAUTIONS

Careful operation is your best insurance against an accident. Read this section carefully before operating the A.T.V. and snowblower. This snowblower is capable of amputating hands and feet and throwing objects. Failure to observe the following safety instructions could result in serious injury. All operators, no matter how experienced they may be, should read this and other manuals related to the A.T.V. and attachments before operating. It is the owner's legal obligation to instruct all operators in safe operation of the snowblower.

TRAINING:



This symbol, "Safety Alert Symbol", is used throughout this manual and on the snowblower's safety labels to warn of the possibility of serious injury. Please take special care in reading and understanding the safety precautions before operating the snowblower or the A.T.V.

1. Read this owner's manual carefully. Be thoroughly familiar with the controls and proper use of the A.T.V. and snowblower. Know how to stop the unit and disengage the controls quickly.
2. Never allow children to operate snowblower nor the A.T.V. Never allow adults to operate snowblower nor the A.T.V. without proper instructions.
3. No one should operate the A.T.V. nor the snowblower while intoxicated or while taking medication that impairs the senses or reactions.
4. Keep the area of operation clear of all persons, particularly small children and pets.

PREPARATION:

1. Thoroughly inspect the area where the snowblower is to be used and remove door mats, all foreign objects and the like.
2. Disengage all clutches and shift into neutral before starting engine.
3. Do not operate the snowblower without wearing adequate winter outer garments. Avoid loose fitting clothing that can get caught in moving parts. Wear footwear that will improve footing on slippery surfaces.
4. Handle fuel with care, it is highly flammable.
 - a) Use approved fuel container.
 - b) Never add fuel to a running engine or hot engine.
 - c) Fill fuel tank outdoors with extreme care. Never fill fuel tank indoors.
 - d) Never fill containers inside a vehicle, or on a truck or a trailer bed with a plastic liner. Always place containers on the ground, away from your vehicle, before filling.

- e) When practical, remove gas-powered equipment from the truck or trailer and refuel it on the ground. If this is not possible, then refuel such equipment on a trailer with a portable container, rather than from a gasoline dispenser nozzle.
 - f) Keep the nozzle in contact with the rim of the fuel tank or container opening at all times, until refueling is complete. Do not use a nozzle lock-open device.
 - g) Replace fuel cap securely and wipe up spilled fuel.
 - h) If fuel is spilled on clothing, change clothing immediately.
5. Adjust the height of the snowblower to clear gravel or crushed rock surface. This is done by adjusting the skid shoes.
 6. Never attempt to make any adjustments while the engine (motor) is running (except when specifically recommended by manufacturer).
 7. Let engine (motor) of the A.T.V. and snowblower adjust to outdoor temperatures before starting to clear snow.
 8. Always wear safety glasses or eye shields during operation or while performing an adjustment or repair to protect eyes from foreign objects that may be thrown from the machine.
 9. **Never modify the snowblower or any part without the written consent from the manufacturer.**

OPERATION:

1. Do not put hands or feet near or under rotating parts. Keep clear of the discharge opening at all times.
2. Exercise extreme caution when operating on or crossing gravel drives, walks or roads. Stay alert for hidden hazards or traffic.
3. After striking a foreign object, stop the engine (motor), disconnect the wire from the spark plug(s) and keep wire away to prevent accidental starting. Thoroughly inspect the snowblower for any damage and repair damage before restarting and operating the snowblower.

SAFETY PRECAUTIONS

4. If the unit should start to vibrate abnormally, stop the engine (motor) and check immediately for the cause. Vibration is generally a warning of trouble.
5. Stop the engine (motor) whenever you leave the operating position, before unclogging the impeller/collector housing or discharge chute, and when making repairs, adjustments or inspections.
- 6) Take all possible precautions when leaving the machine unattended. Disengage the power take-off, lower the attachment, set the parking brake, stop the engine and remove the key.
7. When cleaning, unclogging, repairing or inspecting, the snowblower & A.T.V. make certain the collector/impeller and all moving parts have stopped. Disconnect wire from the spark plug(s) and keep wire away to prevent accidental starting.
8. Do not run the engine indoors, except when starting the engine and for transporting the snowblower in or out of the building. Do not operate or let motor run in a storage area without ventilation because gas contains carbon monoxide which is odourless, colorless and can cause death.
9. Do not clear snow across the face of slopes; go up and down. Exercise extreme caution when changing direction on slopes. Do not attempt to clear steep slopes.
- 10.Never operate the snowblower without proper guards, plates, or other safety protective devices in place.
- 11.Never direct discharge at bystanders or operate the snowblower near glass enclosures, automobiles, window wells, drop-offs, and the like without proper adjustment of the snow discharge angle. Never allow anyone including children and pets in the clearance area.
- 12.Do not overload the machine capacity by attempting to clear snow at too fast a rate. Let the snowblower ingest snow at its own rate.
- 13.Never operate the snowblower at high transport speeds on slippery surfaces. Look behind and use care when backing.
- 14.Do not carry passengers.
- 15.Disengage power to the collector/impeller to stop all rotating parts when the snowblower is transported or not in use.

16. Use only accessories approved by the manufacturer of the snowblower (such as wheel chains, and the like).

17. Never operate the snowblower without good visibility or light.

CLEARING A CLOGGED DISCHARGE CHUTE:

Hand contact with the rotating impeller inside the discharge chute is the most common cause of injury associated with snowblowers. Never use your hand to clean out the discharge chute.

To clear the chute:

1. Lower snowblower to the ground and set parking brake.
2. **SHUT THE ENGINE OFF & REMOVE KEY!**
3. Wait 10 seconds to be sure the **all moving parts** such as the impeller blades have stopped moving.
4. Disconnect wire from the spark plug(s) and keep wire away to prevent accidental starting.
5. Always use a clean-out tool of at least 36" in length, **NOT YOUR HANDS.**

MAINTENANCE AND STORAGE

1. Check shear bolts, engine mounting bolts, and other bolts at frequent intervals for proper tightness to be sure the snowblower is in safe working condition.
2. Never store the machine with fuel in the fuel tank inside a building where ignition sources are present such as hot water and space heaters, clothes dryers, and the like. Allow the engine to cool before storing in any enclosure.
3. Always refer to the owner's manual for the motor and snowblower when they are to be stored for an extended period.
4. Maintain or replace safety and instruction labels, as necessary.
5. Run the snowblower a few minutes after throwing snow to prevent freeze-up of the rotating parts such as collector/impeller.

WHENEVER YOU SEE THIS SYMBOL



**IT MEANS:
WARNING!
BECOME ALERT !
YOUR SAFETY IS INVOLVED!**

SAFETY DECALS

**REPLACE IF DECALS ARE DAMAGED
SEE PARTS BREAKDOWN FOR DECAL LOCATION**



Decal # 102126



Decal # 103951



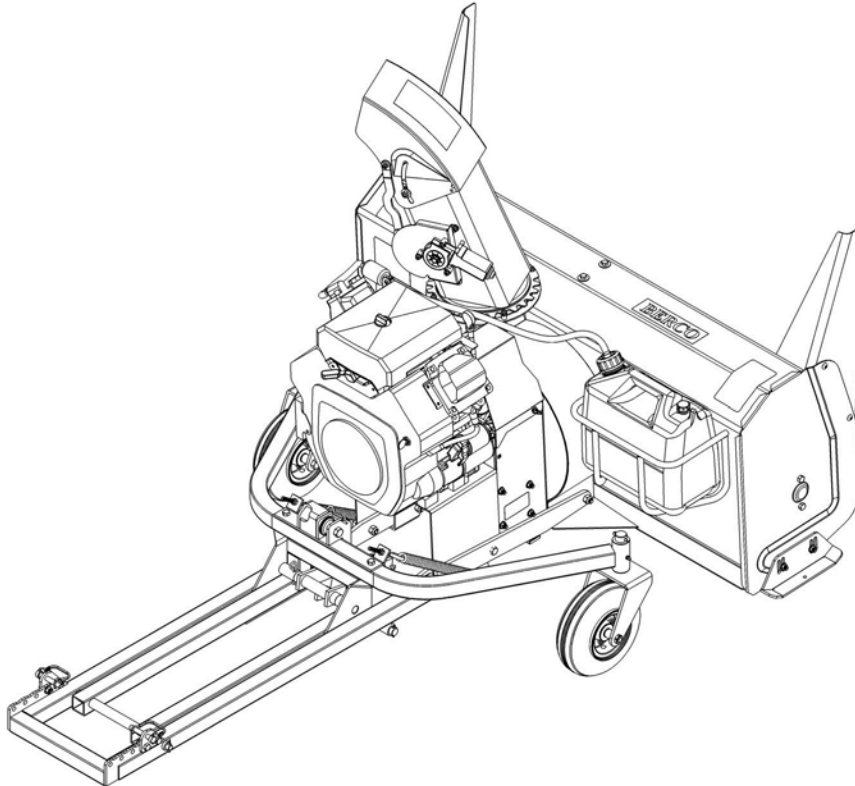
Decal # 102125



Decal # 102127

ASSEMBLY

IMPORTANT: TORQUE ALL BOLTS ACCORDING TO TORQUE SPECIFICATION TABLE (SEE TABLE OF CONTENTS) WHEN STATED: TIGHTEN FIRMLY. REFER TO PARTS BREAKDOWN SECTION FOR PART IDENTIFICATION.



Overall view

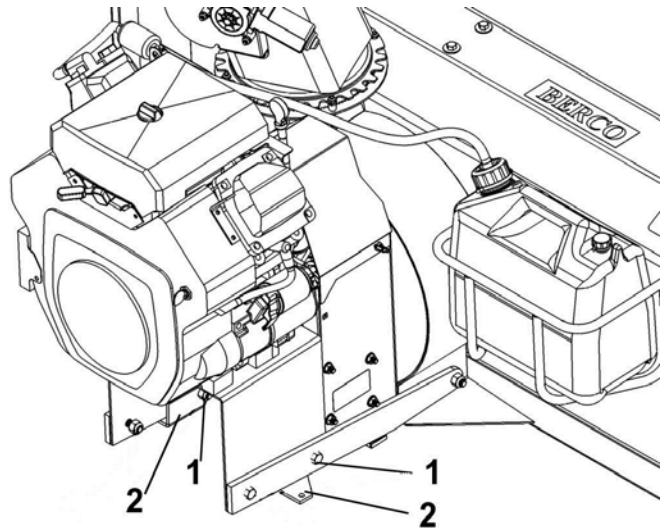
STEP 1 **BRACKET INSTALLATION:**

You must obtain the brackets available through "BOMBARDIER" or "WARN".
Please see instructions included with brackets.

ASSEMBLY

STEP 2 SNOWBLOWER PREPARATION:

Remove the two 7/16 x 2" hex bolts (item 1), the right and left spring links (item 2).



Remove bolts and spring links

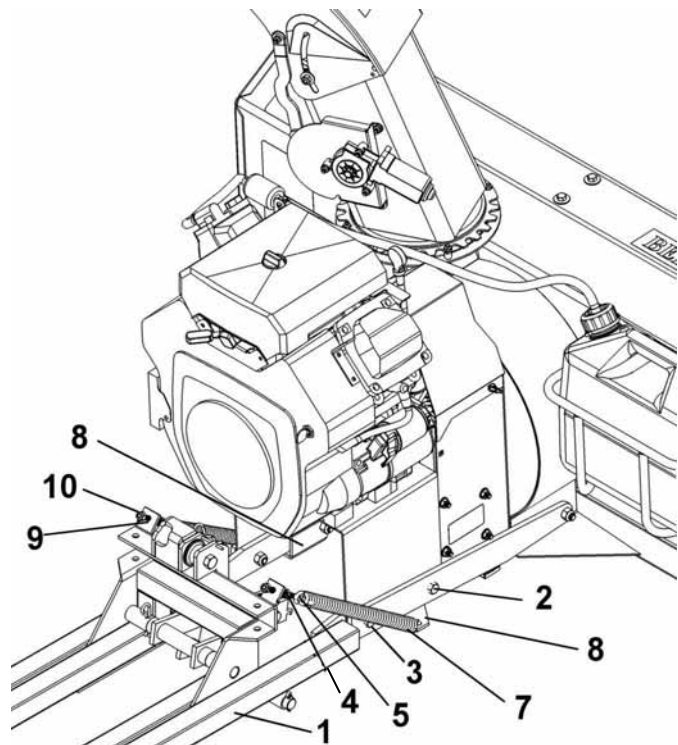
Align the subframe (item 1) under the snowblower and hold in place with the bolts (item 2) you removed and the two 7/16 x 1 1/2" hex bolts (item 3).

Install the right and left spring links (item 8) on the inside of frame and under the two attaching flat bars as shown. Secure with the four 7/16" nylon insert lock nuts you removed. Tighten firmly.

Add a 5/16" hex. nut (item 4) on each eye bolt (item 5). Tighten about half way down.

Insert the spring (item 7) into the spring link (item 8) as shown. Hook the other end of spring into the eye bolt and insert it into the hole (item 9) .

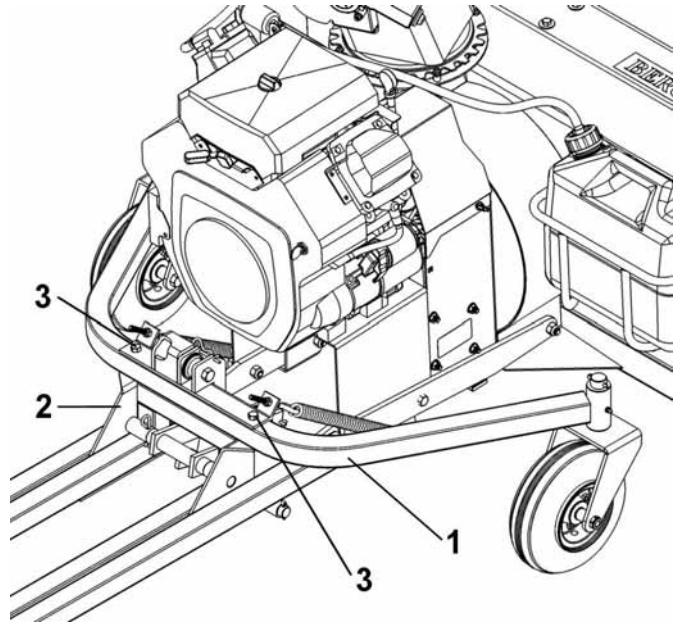
Add a 5/16" nylon insert lock nut (item 10) and tighten to apply tension on the spring.



Assemble subframe to snowblower

ASSEMBLY

Insert the wheel support assembly (item 1) into the subframe (item 2). Secure in place with two 3/8 x 2 1/2" hex bolt (item 3) and two 3/8" flange nuts. Tighten firmly.

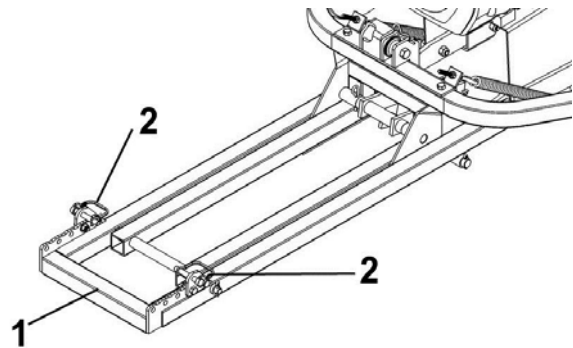


Install the wheel support assembly

Remove the two lock pins (item 2).

Carefully drive the ATV over the subframe (item 1) and lift subframe into place on the brackets.

Secure with the two lock pins you removed.

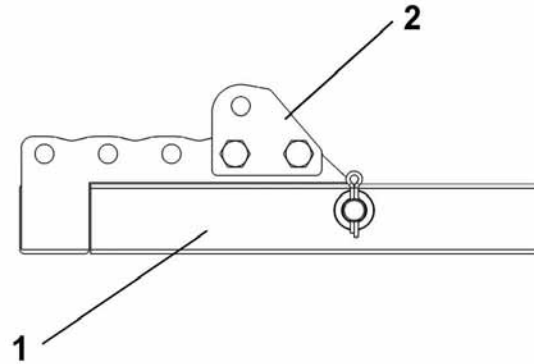


Install the subframe under the A.T.V.

ASSEMBLY

ATTACHING PLATE ADJUSTMENT:

This subframe (item 1) is equipped with two attaching plates (item 2). These plates are adjustable to accommodate different A.T.V.s with or without cat tracks.



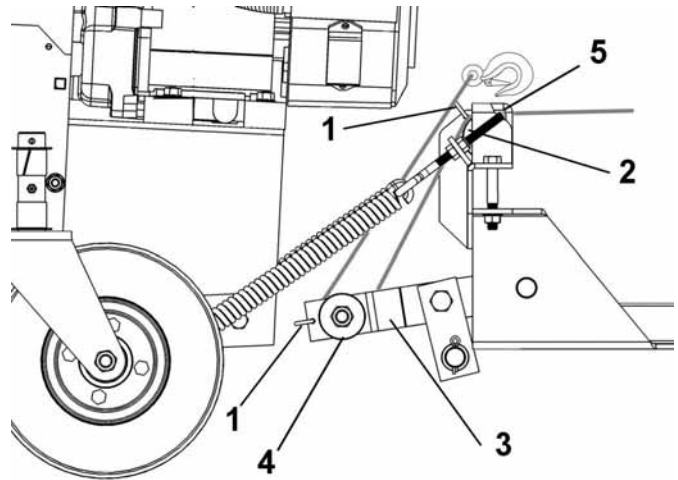
Adjust these plates for different lengths

INSTALLING THE WINCH CABLE

Remove the two hair pins (item 1).

Pull the winch hook over the small pulley (item 2). Then thread the hook inside the lift lever (item 3) and under the pulley (item 4) and back up over the pulley (item 2) and insert the hook in the hole (item 5) intended for this purpose.

Reinstall the two hair pins.

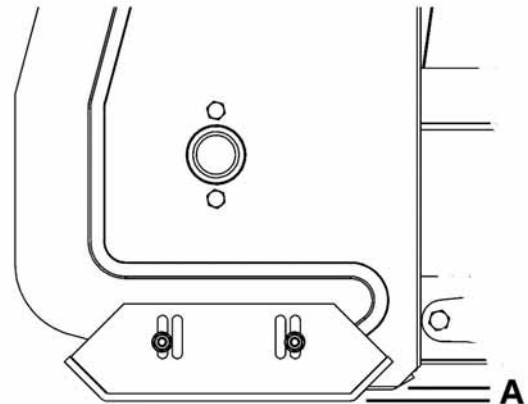


Install the winch cable

VERIFY SKID SHOE ADJUSTMENT:

LEVEL PAVED SURFACE: Adjust skid shoes to allow 3/16" to 1/4" clearance (A) between cutting edge and surface.

UNEVEN OR GRAVEL SURFACE: Adjust skid shoes to allow 1/2" to 5/8" clearance (A) between cutting edge and surface.



Adjust skid shoes

ASSEMBLY

STEP 3

ENGINE PREPARATION:



CAUTION



Oil must be added to this motor.

Please refer to motor's owner's manual for instructions and proper winter oil recommendations.

Connecting the wire assembly:

The kit is equipped with a connector which will permit you to remove the snowblower quickly without having to remove the wiring.

Place and tie the wires in an appropriate place under the A.T.V. since they will stay there permanently.

Connect the red wire (positive) to the ATV battery.
Connect the black wire (negative) on a bolt that is on the A.T.V. frame (scrape away any paint to make sure the contact is good) and retighten the bolt.

Fill the gas tank with unleaded gasoline.
Wipe off any spilled gasoline.

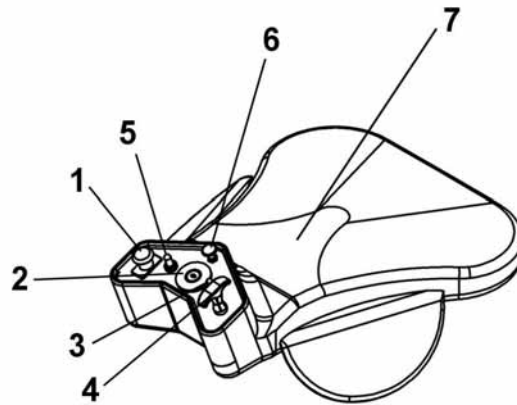


Wire assembly

SADDLE PREPARATION:

NOTE: All the electrical system is already installed and connected to the various snowblower components.

Place the saddle assembly on the A.T.V. seat.
Place and tie the wire protector in an appropriate place so the wire protector does not interfere with any hot or moving parts



Saddle controls

- Item 1: P.T.O. Switch
- Item 2: Ignition Switch
- Item 3: Switch (chute)
- Item 4: Throttle Control
- Item 5: Switch (chute)
- Item 6: Choke Control
- Item 7: Safety Switch

OPERATION

OPERATING THE SNOWBLOWER

You must be sitting on the saddle in order to start the snowblower engine.

- a) Make sure the snowblower is clear of snow before engaging the snowblower.
- b) Make sure that the auger and fan operate freely.
- c) Start the snowblower engine.
- d) Before engaging the snowblower drive, always have the engine running at medium R.P.M.
- e) Operate the snowblower at maximum engine R.P.M.

IMPORTANT: USE FULL ENGINE R.P.M. WHEN REMOVING WET, STICKY SNOW. LOW R.P.M. POWER WILL TEND TO PLUG THE CHUTE.

ELECTRIC CONTROLS

See page 10 for identification of the saddle controls.

RAISING AND LOWERING THE SNOWBLOWER:
Use the winch switch control to raise and lower the snowblower.

TURNING THE CHUTE AND DEFLECTOR:
Use the switches on the saddle to turn the chute and to raise or lower the deflector.

ENGAGING AND DISENGAGING THE SNOWBLOWER:

Engage the snowblower when the engine is running at medium R.P.M. by pulling the P.T.O. switch.

REMOVING SNOW

When removing snow, do not use the snowblower as a dozer blade to push snow. Allow snowblower to ingest snow at its own speed. If the speed of your A.T.V. is too fast, the snowblower may become overloaded and plug. For best results, raise the snowblower and remove a top layer of snow. A second pass with the snowblower will remove the remaining snow.



WARNING



Read the A.T.V.'s owner's manual carefully. Be thoroughly familiar with the controls & proper use of the attachment. Know how to stop the unit & disengage the controls quickly.



WARNING



- Do not attempt to clear plugged chute, auger or fan of snow while the snowblower's engine is running.
- Disengage snowblower.
- Lower snowblower onto ground.
- Set the parking brake.
- Stop engine, remove the ignition key, disconnect the wire from spark plug(s) and keep away from spark plug(s) to prevent accidental starting.
- Make sure all moving parts have stopped.
- Do not use hand to unplug chute.
- Use a 36" (924 mm.) minimum length stick or board.



WARNING



- TO PREVENT INJURIES AND FOR MORE TRACTION WHEN USING SNOWBLOWER:**
- Do not drive faster than 3 km/hr (2 m/hr) with snowblower on the ground.
 - Do not drive faster than 10 km/hr (6 m/hr) with the snowblower in raised position.
 - Do not operate on a slope greater than 10°.
 - A.T.V. manufacturer approved tire chains are required.

MAINTENANCE



WARNING



TO PREVENT INJURIES:

Stop the snowblower motor.
Apply parking brake.
Remove the ignition key.
Disconnect the wire from the spark plug(s) and keep away from spark plug(s) to prevent accidental starting.

MAINTENANCE

- Check mounting bolts at frequent intervals for proper tightness in order to prevent costly repairs. Make sure your snowblower is in safe working condition.
- Provide adequate blocking before working under the snowblower when in raised position.

ADJUSTMENTS

SKID SHOE ADJUSTMENT:

Level Paved Surface: Adjust skid shoes to allow 3/16" to 1/4" clearance between cutting edge and surface.

Uneven or Gravel Surface: Adjust skid shoes to allow 1/2" to 5/8" clearance between cutting edge and surface.

LUBRICATION

Grease the wheel axles, the fork pivots after every sixteen hours of use.

Apply oil at all pivot points.

Chute Rotation System: Oil chute base, rotation worm every sixteen hours of operation.

CUTTING EDGE MAINTENANCE

Verify from time to time the wearing on the cutting edge to make sure you do not wear out the base of the snowblower's chassis. This cutting edge is reversible. Unscrew the bolts and turn the cutting edge. Tighten the bolts securely.

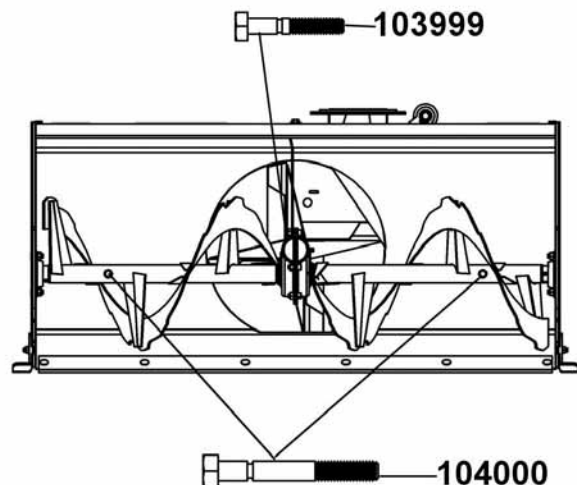
AUGER AND FAN SHEAR BOLT REPLACEMENT

*Shear bolts are to be considered a preventive measure and not a assured protection. Operator vigilance is required. Thoroughly inspect the areas where the snowblower is to be used and remove all foreign objects.

To avoid damage to the snowblower:

Use only the original shear bolts (grooved bolts).
#104000 in bags of 10 for both sections of auger.
#103999 in bags of 10 for the fan.

The use of any other shear bolt will not insure any protection and may void the warranty.



DISMOUNTING THE SNOWBLOWER:

- Unplug connector that unites the A.T.V. to the motor.
- Remove the winch hook & cable from the snowblower.
- Remove the lock pins from the rear of the subframe. Lower the subframe to the ground. Reinstall the lock pins in the holes.
- Carefully back up the A.T.V. from over the subframe.

STORAGE

- Clean snowblower and subframe thoroughly and repaint all parts from which paint has worn.
- List the replacement parts that will be needed before the next season.
- Follow the instructions in the lubrication section
- Store the snowblower and the subframe in a dry place.
- Concerning the snowblower engine, follow the instructions in the engine owner's manual.

BELT REPLACEMENT & ADJUSTMENTS

BELT REPLACEMENT:

For belt part numbers, refer to snowblower parts breakdown section for parts identification

Snowblower must be detached & disconnected from the A.T.V. to replace belts

V-Belt:

- a) Remove the belt guard (item 1)
- b) Remove the 7/16 x 5 1/2" hex bolt (item 2) from the clutch support.
- c) Disconnect the wire from electric clutch.
- d) Remove the gas tank from the support. (Put on the ground to avoid any spills).
- e) Turn the snowblower face down (engine on top).
- f) Remove the six nuts (item 3) and bolts from the reduction plate (item 4).
- g) Remove the reduction plate.
- h) Unhook the spring (item 5) from the slot on the tension arm (item 6) and remove the tension arm.
- i) Replace the V-belt.
- j) Re-install parts by repeating steps backwards. (Make sure the pin on the reduction plate is inserted in the tube on the tension arm).

Timing Belt:

- a) Remove the gas tank from the support. (Put on the ground to avoid any spills).
- b) Turn the snowblower face down (engine on top).
- c) Loosen the two nuts (item 7) on each side and the two nuts (item 8) needed to apply tension to the belt.
- d) Remove the six nuts (item 3) and bolts from the reduction plate (item 4)
- e) Remove the reduction plate
- f) Unhook the spring (item 5) from the slot on the tension arm (item 6) and remove the tension arm.
- g) Replace the timing belt. (Make sure to replace the V-belt on the V-pulley).
- h) Re-install parts by repeating steps backwards. (Make sure the pin on the reduction plate is inserted in the tube on the tension arm).

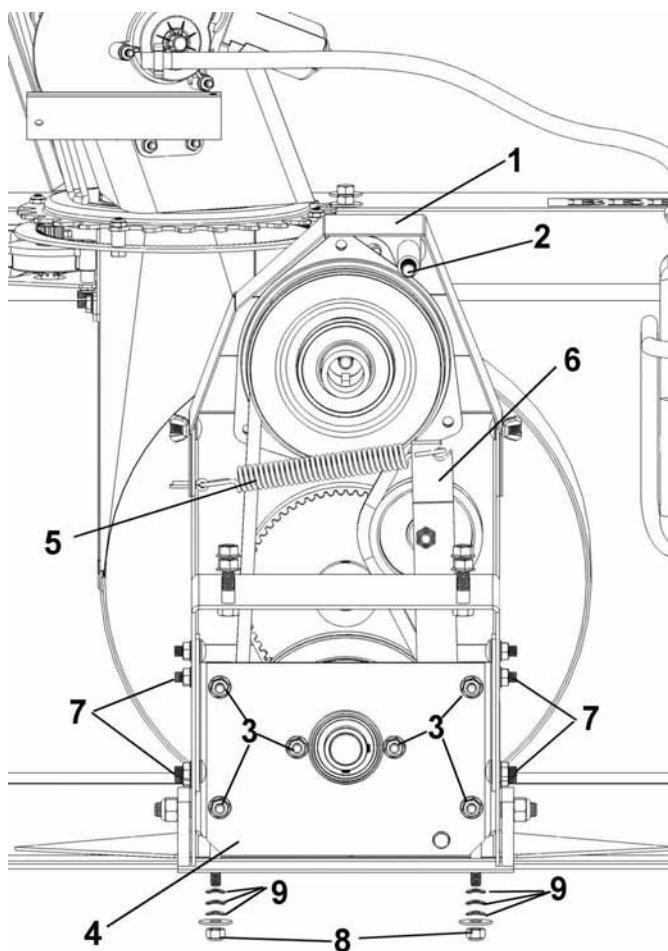
IMPORTANT:

Make sure the notches of the belt are well inserted into the those of the pulley.

TIMING BELT ADJUSTMENT:

To obtain the right tension on the timing belt, make sure that the four nuts (item 7) are loosened. Tighten the two nuts (item 8) needed to apply tension to the belt until the three spring washers (item 9) are completely compressed. Tighten the four nuts (item 7).

NOTE: To help avoid the belt from breaking, it is preferable to put less tension on the belt than too much tension.



CAUTION



Never use the snowblower without the belt guard.

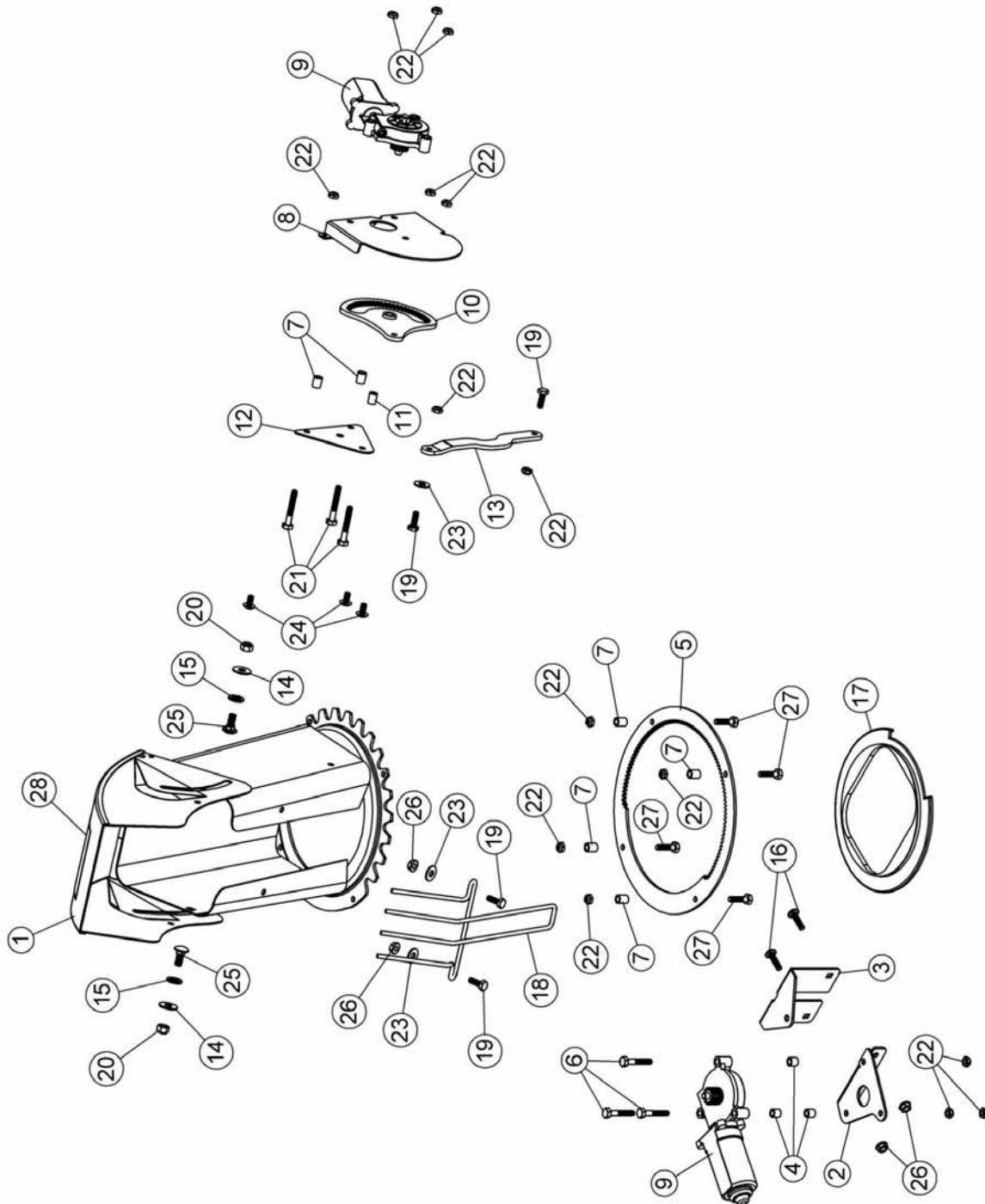
TROUBLESHOOTING

PROBLEM	POSSIBLE CAUSES	CORRECTIVE ACTION
Snowblower vibrates or is abnormally noisy.	Damaged pulley.	Replace pulley.
	Damaged bearing.	Replace bearing.
	Damaged fan.	Dismount & repair or replace fan.
	One or both sections of the auger is bent.	Replace one or both sections of auger.
One or both sections of the auger have stopped turning.	Shear bolt broken.	Replace shear bolt (for identification, see Parts List "Snowblower"). Also see "Maintenance" section.
Snowblower stopped turning.	The belts are damaged or snapped.	Check & replace damaged belts (see instructions in section: Belt replacement & adjustments).
Belt is worn at a specific point.	Snowblower was engaged when already plugged.	Make sure auger & fan are not plugged or frozen before engaging snowblower.
Chute rotation is difficult.	Dirt or ice may be underneath chute.	Clean the base of chute & the rotation ring. Lubricate chute inside & out and the rotation worm.
	The base of the chute may be damaged or bent.	Replace defective parts.

TROUBLESHOOTING

PROBLEM	POSSIBLE CAUSES	CORRECTIVE ACTION
The chute plugs easily.	Snowblower engine is turning too slowly.	Always have engine at full R.P.M. when using the snowblower.
	Advancing too quickly with A.T.V.	Reduce speed. Allow snowblower to ingest snow at its own speed.
Snowblower digs into ground.	Ground is not frozen or too soft.	Adjust skid shoes lower so they may better support the snowblower.
Snowblower does not raise evenly.	Tire pressure uneven from one side to another.	Verify and adjust snowblower tire pressure: 50 p.s.i.

PARTS BREAKDOWN / NOMENCLATURE DES PIÈCES
ROTATION SYSTEM WITH CHUTE
SYSTÈME DE ROTATION AVEC GOULOTTE

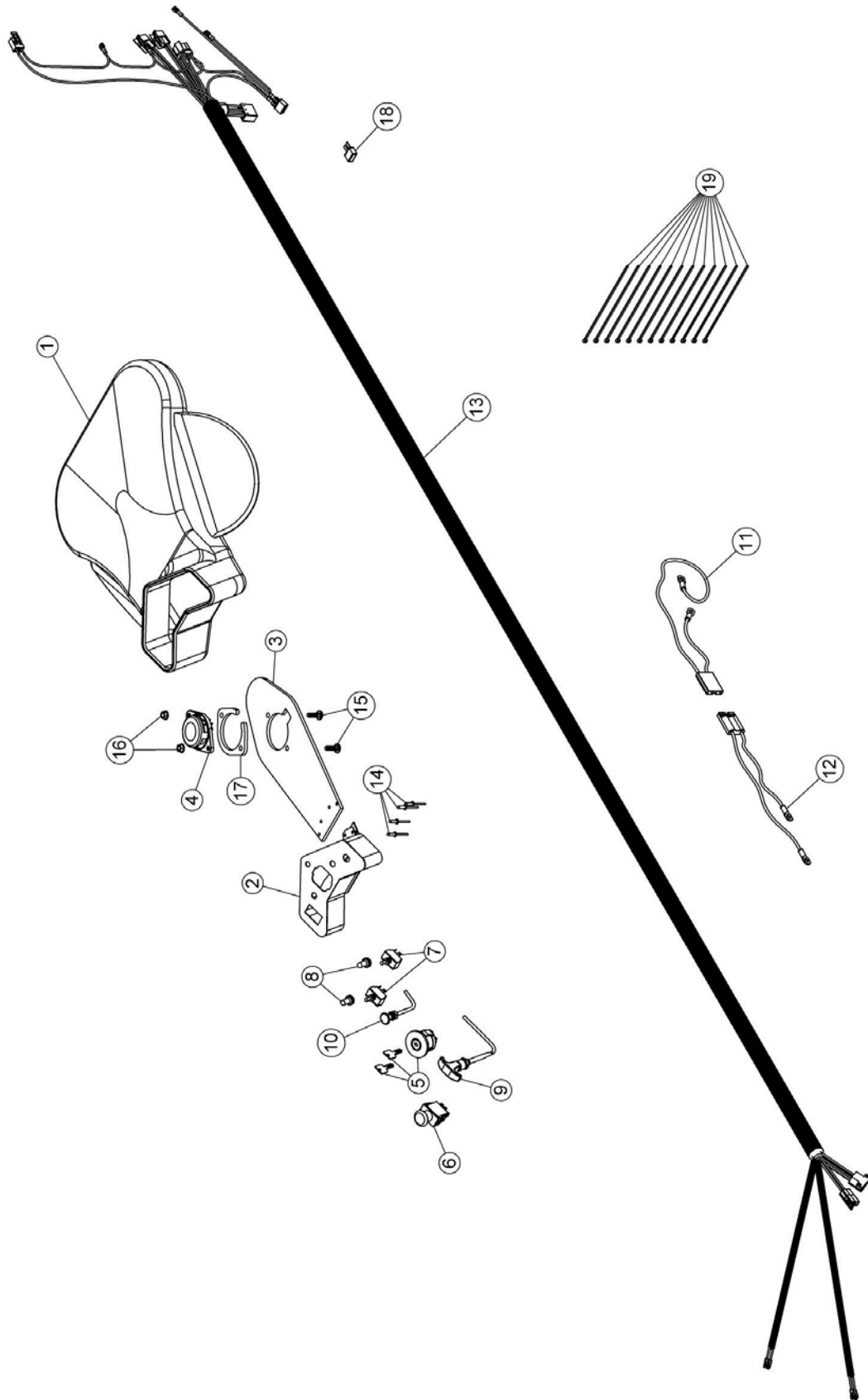


PARTS LIST / LISTE DES PIÈCES

Ref. Réf.	English description	Description française	Qty. Qté.	Part # Pièce #
1	Chute	Goulotte	1	103936
2	Bracket	Support	1	103971
3	Reinforcement plate	Plaque de renforcement	1	103972
4	Spacer	Espaceur	3	103368
5	Rotation ring	Anneau de rotation	1	103974
6	Hex. bolt 1/4" n.c. x 1 1/2"	Boulon hex. 1/4" n.c. x 1 1/2"	3	O/L
7	Spacer	Espaceur	6	103361
8	Bracket	Support	1	103375
9	Electric motor	Moteur électrique	2	103378
10	Lever	Levier	1	103365
11	Oil lite bushing	Coussinet imprégné d'huile	1	103362
12	Plate	Plaque	1	103363
13	Arm	Bras	1	103364
14	Nylon flat washer 11/32"	Rondelle plate de nylon 11/32"	2	102009
15	Nylon flat washer 7/16"	Rondelle plate de nylon 7/16"	2	102011
16	Carriage bolt 1/4" n.c. x 1"	Boulon à carrosserie 1/4" n.c. x 1"	2	O/L
17	Rotation ring	Anneau de rotation	1	103943
18	Hand guard	Fourche protectrice	1	102012
19	Hex. bolt 1/4" n.c. x 3/4"	Boulon hex. 1/4" n.c. x 3/4"	4	O/L
20	Nylon insert lock nut 5/16" n.c.	Écrou à garniture de nylon 5/16" n.c.	2	O/L
21	Hex. bolt 1/4" n.c. x 1 3/4"	Boulon hex. 1/4" n.c. x 1 3/4"	3	O/L
22	Nylon insert lock nut 1/4" n.c. (thin)	Écrou à garniture de nylon 1/4" n.c.(mince)	15	O/L
23	Flat washer 5/16" hole	Rondelle plate 5/16" trou	3	O/L
24	Machine screw T.H. 1/4" n.c. x 1/2"	Vis mécanique T.H. 1/4" n.c. x 1/2"	3	O/L
25	Carriage bolt 5/16" n.c. x 3/4"	Boulon à carrosserie 5/16" n.c. x 3/4"	2	O/L
26	Flange nut 1/4" n.c.	Écrou à bride 1/4" n.c.	4	O/L
27	Hex. bolt 1/4" n.c. x 1"	Boulon hex. 1/4" n.c. x 1"	4	O/L
28	Danger decal	Décalque danger	1	102127

O/L= Obtain locally / Obtenir localement

PARTS BREAKDOWN / NOMENCLATURE DES PIÈCES SADDLE ASSEMBLY / SELLE ASSEMBLÉE

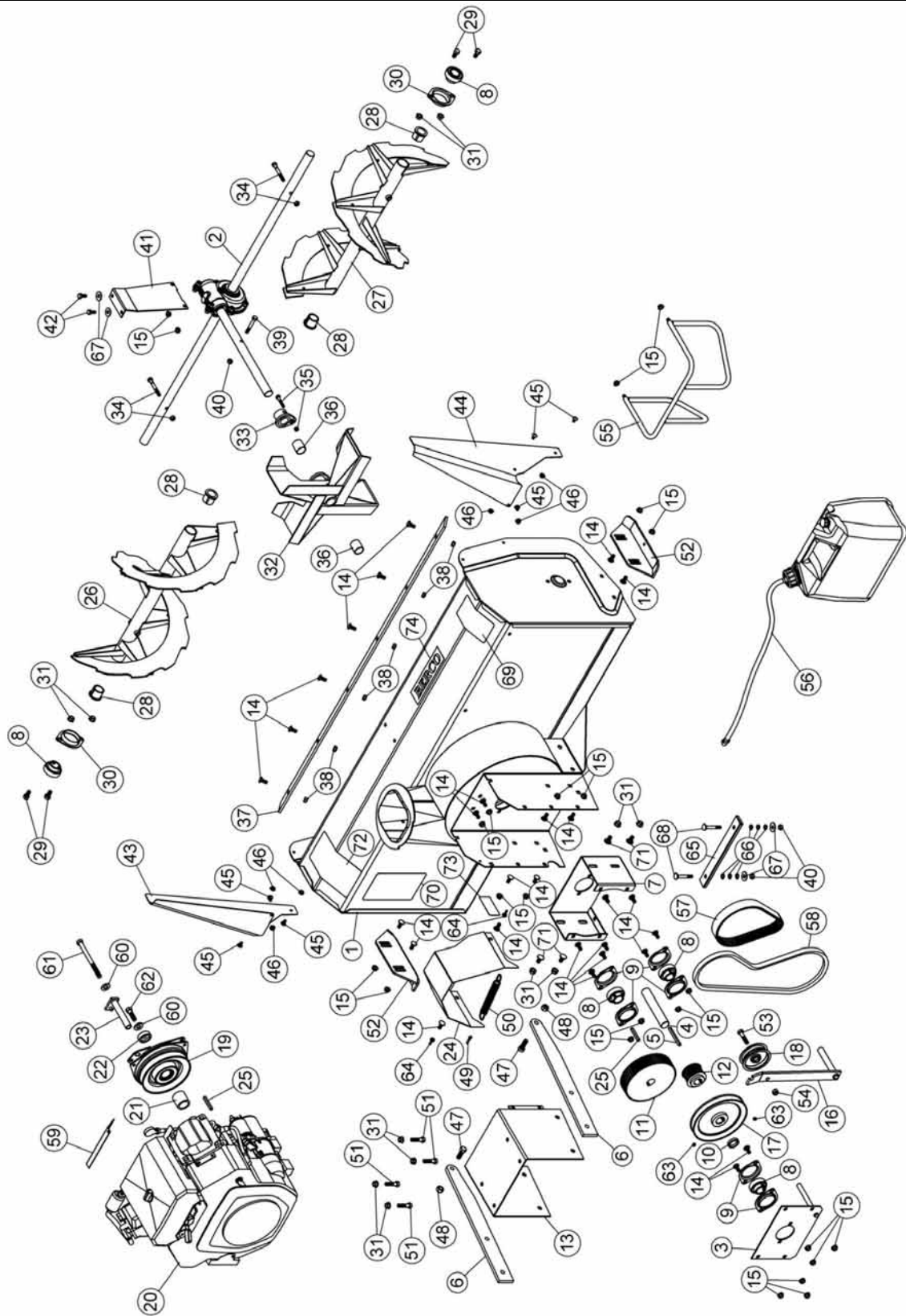


PARTS LIST / LISTE DES PIÈCES

Ref. Réf.	English description	Description française	Qty. Qté.	Part # Pièce #
1	Seat cover	Couvre-siège	1	103987
2	Control board	Tableau de contrôle	1	104011
3	Switch support	Support de commutateur	1	104012
4	Safety switch ass'y	Commutateur de sécurité ass'é	1	104014
5	Ignition switch	Commutateur d'ignition	1	104015
6	P.T.O. switch	Commutateur de p.d.f.	1	104016
7	Switch	Commutateur	2	103381
8	Rubber boot	Capuchon de caoutchouc	2	103379
9	Throttle control	Contrôle de l' accélérateur	1	104008
10	Choke control	Contrôle de l'étrangleur	1	104009
11	Wire assembly	Fil assemblé	1	104017
12	Wire assembly	Fil assemblé	1	104018
13	Wire assembly (Incl. 103382)	Fils assemblés (Incl. 103382)	1	104295
14	Pop-rivet 3/16" no AD-66BS	Rivet pop 3/16 no.AD-66BS	4	O/L
15	Carriage bolt 5/16" n.c. x 1"	Boulon à carrosserie 5/16" n.c. x 1"	2	O/L
16	Flange nut 5/16" n.c.	Écrou à bride 5/16" n.c.	2	O/L
17	Shim	Cale	1	104013
18	Breaker	Disjoncteur	1	103382
19	Tie wrap 8"	Attache de nylon 8"	12	O/L

O/L= Obtain locally / Obtenir localement

PARTS BREAKDOWN / NOMENCLATURE DES PIÈCES SNOWBLOWER / SOUFFLEUSE



PARTS LIST / LISTE DES PIÈCES

Ref. Réf.	English description	Description française	Qty. Qté.	Part # Pièce #
1	Frame 48"	Châssis 48"	1	103954
2	Gear box 48"	Boîte d'engrenage 48"	1	103948
3	Reduction plate	Plaque de réduction	1	103959
4	Shaft	Arbre	1	103961
5	Key 1/4" x 1/4" x 2 31/32	Clé 1/4" x 1/4" x 2 31/32	1	103962
6	Attaching flat bar	Fer plat d'attache	2	103966
7	Reduction box	Boîte de réduction	1	103960
8	Bearing with set screw	Roulement à billes avec vis à pression	5	102755
9	Flangette	Flangette	6	102213
10	Spacer	Douille d'espacement	1	103997
11	Sprocket with set screw	Pignon avec vis à pression	1	103743
12	Sprocket with set screw	Pignon avec vis à pression	1	103741
13	Engine support	Support de moteur	1	103970
14	Carriage bolt 5/16" n.c. x 3/4"	Boulon à carrosserie 5/16" n.c. x 3/4"	28	O/L
15	Flange nut 5/16" n.c.	Écrou à bride 5/16" n.c.	24	O/L
16	Tension arm	Bras de tension	1	103985
17	V pulley	Poulie en V	1	103739
18	Flat pulley	Poulie plate	1	102839
19	Electric clutch	Embrayage électrique	1	103998
20	Engine CH-23 (Kohler)	Moteur CH-23 (Koler)	1	104003
21	Clutch spacer	Espaceur d'embrayage	1	103975
22	Flange washer	Rondelle à bride	1	103976
23	Clutch support	Support d'embrayage	1	103980
24	Belt guard	Garde-courroie	1	103979
25	Key 1/4" x 1/4" x 2"	Clé 1/4" x 1/4" x 2"	2	102922
26	Auger 48" left	Vis 48" gauche	1	103955
27	Auger 48" right	Vis 48" droite	1	103956
28	Rotation bushing	Coussinet de rotation	4	103946
29	Hex. bolt 3/8" n.c. x 3/4"	Boulon hex. 3/8" n.c. x 3/4"	4	O/L
30	Flangette	Flangette	2	102680

O/L= Obtain locally / Obtenir localement

PARTS LIST / LISTE DES PIÈCES

Ref. Réf.	English description	Description française	Qty. Qté.	Part # Pièce #
31	Flange nut 3/8" n.c.	Écrou à bride 3/8" n.c.	12	O/L
32	Fan	Éventail	1	103932
33	Shear plate	Plaque de cisaillement	1	103933
34	Shear bolt / N.I.L.N. (auger) pkg-10	Boulon de séc. / É.G.N. (vis) pqt-10	2	104000
35	Shear bolt / N.I.L.N. (fan) pkg-10	Boulon de séc./ É.G.N. (éven.) pqt-10	1	103999
36	Oil lite bushing	Coussinet imprégné d'huile	2	102784
37	Cutting edge 48"	Racloir 48"	1	103187
38	Stover lock nut 5/16" n.c.	Écrou de blocage 5/16" n.c.	6	O/L
39	Hex. bolt 5/16" n.c. x 2 1/4" GR8	Boulon hex. 5/16" n.c. x 2 1/4" GR8	1	O/L
40	Nylon insert lock nut 5/16" n.c.	Écrou à garniture de nylon 5/16" n.c.	3	O/L
41	Gear box support	Support de boîte d'engrenage	1	103940
42	Hex. bolt 5/16" n.c. x 3/4"	Boulon hex. 5/16" n.c. x 3/4"	2	O/L
43	Left drift cutter	Couteau à neige gauche	1	102821
44	Right drift cutter	Couteau à neige droit	1	102822
45	Machine screw T.H. 1/4" n.c. x 1/2"	Vis mécanique T.H. 1/4" n.c. x 1/2"	6	O/L
46	Flange nut 1/4" n.c.	Écrou à bride 1/4" n.c.	6	O/L
47	Hex. bolt 7/16" n.c. x 1 1/4"	Boulon hex. 7/16" n.c. x 1 1/4"	2	O/L
48	Nylon Insert Lock nut 7/16" n.c.	Écrou à garniture de nylon 7/16" n.c.	2	O/L
49	Cotter pin 3/16" x 1"	Goupille fendue 3/16" x 1"	1	O/L
50	Spring	Ressort	1	102304
51	Hex. bolt 3/8" n.c. x 1 1/2"	Boulon hex. 3/8" n.c. 1 1/2"	4	O/L
52	Skid shoe	Patin	2	103188
53	Hex. bolt 3/8" n.c. x 1 3/4"	Boulon hex. 3/8" n.c. x 1 3/4"	1	O/L
54	Nylon insert lock nut 3/8" n.c.	Écrou à garniture de nylon 3/8" n.c.	1	O/L
55	Tank support	Support de réservoir	1	103963
56	Gasoline tank assembly	Réservoir d'essence assemblé	1	104005
57	Timing belt 600-8MT-30	Courroie synchronisée 600-8MT-30	1	104004
58	V-Belt , A-40	Courroie en V , A-40	1	102999
59	Heat shield	Pare-chaaleur	1	104006
60	Flat washer 1/2" hole	Rondelle plate 1/2" trou	2	O/L

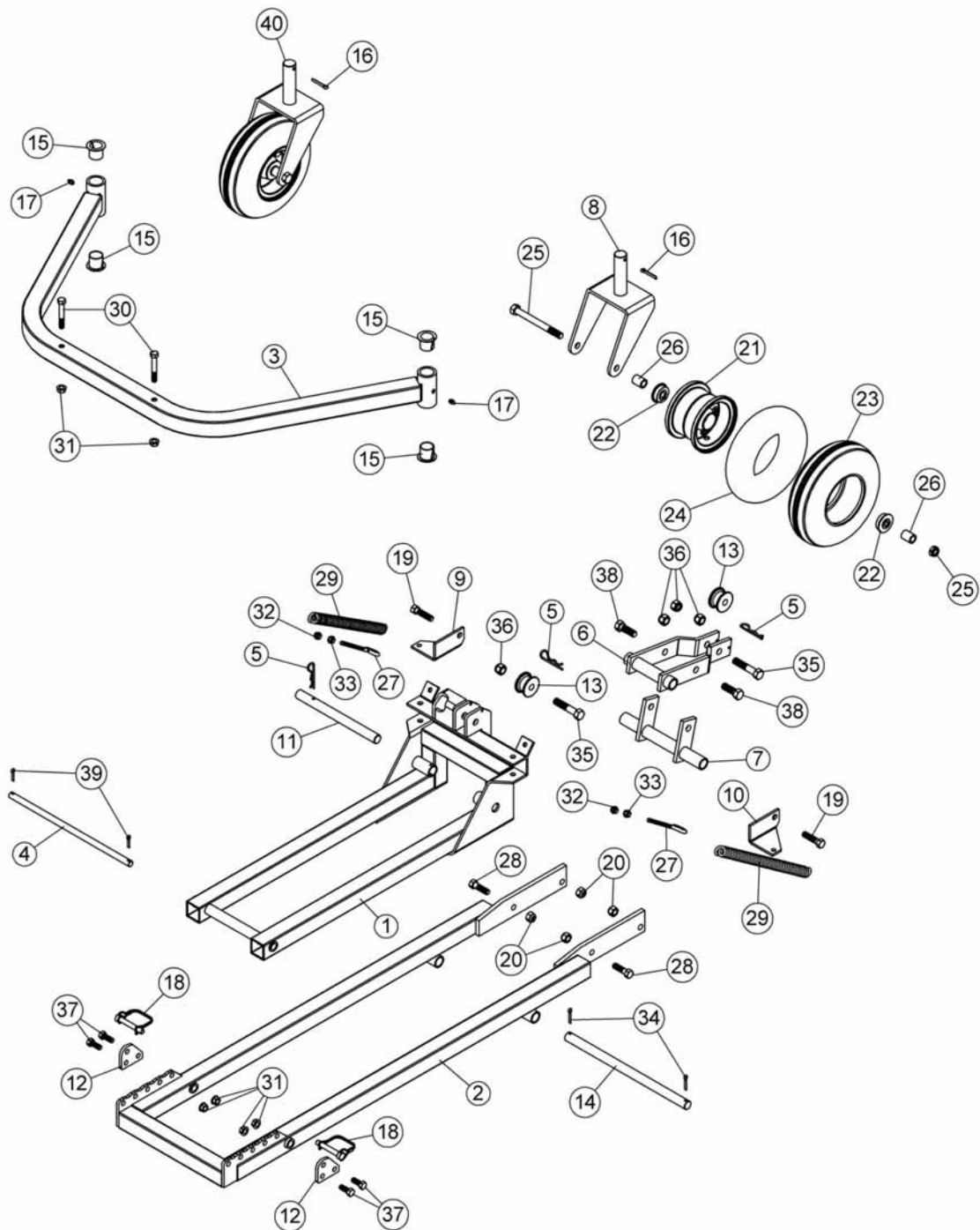
O/L= Obtain locally / Obtenir localement

PARTS LIST / LISTE DES PIÈCES

Ref. Réf.	English description	Description française	Qty. Qté.	Part # Pièce #
61	Hex. bolt 7/16" n.c. x 5 1/2"	Boulon hex. 7/16" n.c. x 5 1/2"	1	O/L
62	Hex. bolt 7/16" n.f. x 1 1/2"	Boulon hex. 7/16" n.f. x 1 1/2"	1	O/L
63	Hex. socket set screw 5/16" n.c. x 5/16"	Vis à pression hex. 5/16" n.c. x 5/16"	2	O/L
64	Wing nut 5/16" n.c.	Écrou oreilles 5/16" n.c.	2	O/L
65	Tension bar	Barre de tension	1	103995
66	Spring washer	Rondelle à ressort	6	104007
67	Flat washer 3/8" hole	Rondelle plate 3/8" trou	4	O/L
68	Carriage bolt 5/16" n.c. x 2 1/4"	Boulon à carrosserie 5/16" n.c. x 2 1/4"	2	O/L
69	Danger decal	Décalque danger	1	102126
70	Shear bolt decal	Décalque boulon de sécurité	1	103951
71	Carriage bolt 3/8" n.c. x 3/4"	Boulon à carrosserie 3/8" n.c. x 3/4"	4	O/L
72	Warning decal	Décalque attention	1	102125
73	Serial number	Numéro de série	1	REF
74	Berco decal	Décalque Berco	1	102471

O/L= Obtain locally / Obtenir localement

PARTS BREAKDOWN / NOMENCLATURE DES PIÈCES SUBFRAME / SOUS-CHÂSSIS



PARTS LIST / LISTE DES PIÈCES

Ref. Réf.	English description	Description française	Qty. Qté.	Part # Pièce #
1	Subframe	Sous-châssis	1	103989
2	Push frame	Châssis de poussée	1	103982
3	Wheel support	Support de roue	1	103984
4	Pin	Goupille	1	103958
5	Hair pin 3mm	Goupille à ressort 3mm	3	102617
6	Lift lever	Levier de relevage	1	103967
7	Lift link	Lien de relevage	1	103983
8	Wheel fork	Fourche de roue	1	103986
9	Left spring link	Lien du ressort gauche	1	103977
10	Right spring link	Lien du ressort droit	1	103978
11	Pin	Goupille	1	103991
12	Attaching plate	Plaque d'attache	2	103992
13	Pulley	Poulie	2	103993
14	Pin	Goupille	1	103996
15	Nylon bushing	Coussinet en nylon	4	103087
16	Cotter pin 3/16" x 1-1/2"	Goupille fendue 3/16" x 1-1/2"	2	O/L
17	Grease fitting 1/4" n.f.	Graisser 1/4" n.f.	2	O/L
18	Lock pin	Tige de verrouillage	2	103563
19	Hex. bolt 7/16" n.c. x 2"	Boulon hex. 7/16" n.c. x 2"	2	O/L
20	Nylon insert lock nut 7/16" n.c.	Écrou à garniture de nylon 7/16" n.c.	4	O/L
21	Rim & bearing	Jante & roulement	1	102687
22	Ball bearing	Roulement à billes	2	102688
23	Tire 280/250-4	Pneu 280/250-4	1	102674
24	Inner tube 250-4	Chambre à air 250-4	1	102675
25	Axle bolt & nut	Boulon essieu & écrou	1	102685
26	Sleeve	Douille	2	103276
27	Eye bolt	Boulon à oeillet	2	102087
28	Hex. bolt 7/16" n.c. x 1 1/2"	Boulon hex. 7/16" n.c. x 1 1/2"	2	O/L
29	Spring	Ressort	2	103073
30	Hex. bolt 3/8" n.c. x 2 1/2"	Boulon hex 3/8" n.c. x 2 1/2"	2	O/L

PARTS LIST / LISTE DES PIÈCES

Ref. Réf.	English description	Description française	Qty. Qté.	Part # Pièce #
31	Flange nut 3/8" n.c.	Écrou à bride 3/8" n.c.	6	O/L
32	Nylon insert lock nut 5/16" n.c.	Écrou à garniture de nylon 5/16" n.c.	2	O/L
33	Hex. nut 5/16" n.c.	Écrou hex. 5/16" n.c.	2	O/L
34	Cotter pin 5/32" x 1 1/4"	Goupille fendue 5/32" x 1 1/4"	2	O/L
35	Hex. bolt 1/2" n.c. x 2 1/2"	Boulon hex. 1/2" n.c. x 2 1/2"	2	O/L
36	Nylon Insert lock Nut 1/2" n.c.	Écrou à garniture de nylon 1/2" n.c.	4	O/L
37	Hex. bolt 3/8" n.c. x 1"	Boulon hex. 3/8" n.c. x 1"	4	O/L
38	Hex. bolt 1/2" n.c. x 1 1/2"	Boulon hex. 1/2" n.c. x 1 1/2"	2	O/L
39	Cotter pin 5/32" x 1"	Goupille fendue 5/32" x 1"	2	O/L
40	Caster wheel assembly	Roue pivotante assemblée	2	104487

O/L= Obtain locally / Obtenir localement

TORQUE SPECIFICATION TABLE

GENERAL TORQUE SPECIFICATION TABLE USE THE FOLLOWING TORQUES WHEN SPECIAL TORQUES ARE NOT GIVEN

NOTE: These values apply to fasteners as received from supplier, dry or when lubricated with normal oil. They do not apply if special graphited or moly disulphide greases or other extreme pressure lubricants are used. This applies to both UNF and UNC threads.

SEE Grade No.		2				5				8 *			
BOLT HEAD IDENTIFICATION MARKS AS PER GRADE NOTE MANUFACTURING MARKS WILL VARY		TORQUE				TORQUE				TORQUE			
BOLT SIZE		POUNDS FEET		NEWTON-METERS		POUNDS FEET		NEWTON-METERS		POUNDS FEET		NEWTON-METERS	
Inches	Millimetre	Min.	Max.	Min.	Max.	Min.	Max.	Min.	Max.	Min.	Max.	Min.	Max.
1/4"	6.35	5	6	6.8	8.13	9	11	12.2	14.9	12	15	16.3	30.3
5/16"	7.94	10	12	13.6	16.3	17	20.5	23.1	27.8	24	29	32.5	39.3
3/8"	9.53	20	23	27.1	31.2	35	42	47.5	57	45	54	61	73.2
7/16"	11.11	30	35	40.7	47.4	54	64	73.2	86.8	70	84	94.9	113.9
1/2"	12.7	45	52	61	70.5	80	96	108.5	130.2	110	132	149.2	179
9/16"	14.29	65	75	88.1	101.6	110	132	149.2	179	160	192	217	260.4
5/8"	15.88	95	105	128.7	142.3	150	180	203.4	244.1	220	264	298.3	358
3/4"	19.05	150	185	203.3	250.7	270	324	366.1	439.3	380	456	515.3	618.3
7/8"	22.23	160	200	216.8	271	400	480	542.4	650.9	600	720	813.6	976.3
1"	25.4	250	300	338.8	406.5	580	696	786.5	943.8	900	1080	1220.4	1464.5

*Thick nuts must be used with grade 8 bolts

METRIC BOLT TORQUE SPECIFICATIONS							
Size Screw	Grade No.	Pitch (mm)	COARSE THREAD		FINE THREAD		
			Pounds Feet	Newton-Meters	Pitch (mm)	Pounds Feet	Newton-Meters
M6	4T	1.00	3.6 - 5.8	4.9 - 7.9	-	-	-
	7T		5.8 - 9.4	7.9 - 12.7		-	-
	8T		7.2 - 10	9.8 - 13.6		-	-
M8	4T	1.25	7.2 - 14	9.8 - 19	1.00	12 - 17	16.3 - 23
	7T		17 - 22	23 - 29.8		19 - 27	25.7 - 36.6
	8T		20 - 26	27.1 - 35.2		22 - 31	29.8 - 42
M10	4T	1.50	20 - 25	27.1 - 33.9	1.25	20 - 29	27.1 - 39.3
	7T		34 - 40	46.1 - 54.2		35 - 47	47.4 - 63.7
	8T		38 - 46	51.5 - 62.3		40 - 52	54.2 - 70.5
M12	4T	1.75	28 - 34	37.9 - 46.1	1.25	31 - 41	42 - 55.6
	7T		51 - 59	69.1 - 79.9		56 - 68	75.9 - 92.1
	8T		57 - 66	77.2 - 89.4		62 - 75	84 - 101.6
M14	4T	2.00	49 - 56	66.4 - 75.9	1.50	52 - 64	70.5 - 86.7
	7T		81 - 93	109.8 - 126		90 - 106	122 - 143.6
	8T		96 - 109	130.1 - 147.7		107 - 124	145 - 168
M16	4T	2.00	67 - 77	90.8 - 104.3	1.50	69 - 83	93.5 - 112.5
	7T		116 - 130	157.2 - 176.2		120 - 138	162.6 - 187
	8T		129 - 145	174.8 - 196.5		140 - 158	189.7 - 214.1
M18	4T	2.00	88 - 100	119.2 - 136	1.50	100 - 117	136 - 158.5
	7T		150 - 168	203.3 - 227.6		177 - 199	239.8 - 269.6
	8T		175 - 194	237.1 - 262.9		202 - 231	273.7 - 313
M20	4T	2.50	108 - 130	146.3 - 176.2	1.50	132 - 150	178.9 - 203.3
	7T		186 - 205	252 - 277.8		206 - 242	279.1 - 327.9
	8T		213 - 249	288.6 - 337.4		246 - 289	333.3 - 391.6