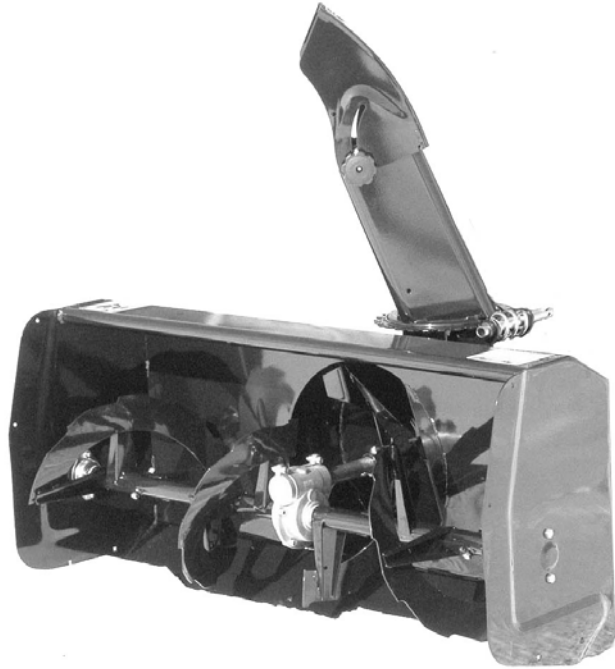




OWNER'S MANUAL
Model Number
700374-1
700378-1



Berco

Northeast Two Stage 44" & 48" Snowblower
for
LAWN, YARD & GARDEN TRACTORS

- * ASSEMBLY
- * OPERATION
- * REPAIR PARTS
- * MAINTENANCE

CAUTION:

**READ & FOLLOW ALL SAFETY RULES & INSTRUCTIONS BEFORE
OPERATING YOUR EQUIPMENT**

LIMITED WARRANTY

Conditions and Products Covered:

BERCOMAC guarantees any part of the product or accessory manufactured by BERCOMAC and found in the reasonable judgment of BERCOMAC to be defective in material and or workmanship will be repaired or replaced by an authorized dealer without charge up to our maximum labor rates and pre-established times. For replacement parts only standard ground freight services are covered. This warranty extends to the original retail purchaser only and is not transferable to any subsequent purchasers.

Warranty Period

(from date of the original retail purchase):

- Residential use: 1 year
- Commercial or rental use: 90 days

Exceptions Noted Below: the following items are guaranteed by the original manufacturer and have their own warranty, conditions and limited time:

- Tire Chains: 90 days
- Engines (supplied with BERCOMAC equipment): 2 years

Please refer to the engine manufacturer's warranty statement included with the unit. BERCOMAC is not authorized to handle warranty adjustments on engines.

Items and Conditions NOT Covered:

This warranty does not cover the following:

- Pick-up or delivery charges or in-home services fees.
- Any damage or deterioration of the unit, parts and or finish of these due to normal use, wear and tear, or exposure.
- Cost of regular use or maintenance service or parts, such as gas, oil, lubricants, tune-up parts, and adjustments.
- Any part or accessory which has been altered, modified, misused, neglected, accidentally damaged or not properly installed, maintained, stored or repaired not in accordance with the instructions in the owner's manual.
- Repair due to normal wear and or any wear items such as shear pins, bolts, belts, etc.
- Expedited freight fee services for replacement parts.
- Shear bolts and shear pins are to be considered as a preventive measure not as an assured protection, any damages resulting from the lack of shear bolts breakage are not covered.

NOTE: All warranty work must be performed by an authorized dealer using original (manufacturer) replacement parts.

Note: Bercomac reserves the right to change or improve the design of any part or accessory without assuming any obligation to modify any product previously manufactured.

Instructions for Obtaining Warranty Services:

Contact dealer where equipment was purchased or any other BERCOMAC Service Dealer to arrange service at their dealership. To locate a dealer convenient to you, access our website at www.bercomac.com. Bring the product and your proof of purchase (sales receipt) to the BERCOMAC dealer.

Owner's Responsibilities:

BERCOMAC's defective equipment or part must be returned to an authorized dealer within the warranty period for repairs. In the event that defective merchandise must be returned to manufacturer for repairs, freight fees are prepaid and a written authorization from BERCOMAC must be obtained by dealer prior to the shipment. This warranty extends only to equipment operated under normal conditions. To validate a warranty claim, it is the user's responsibility to maintain and service the unit as specified in the owner's manual at their expense.

General Conditions:

The sole liability of BERCOMAC with respect to this warranty shall be strictly and exclusively repair and replacement as mentioned herein. BERCOMAC shall not have any liability for any other costs, loss or damage, including but not limited to, any incidental or consequential loss or damage.

In particular, without being limited to, BERCOMAC shall have no liability or responsibility for:

- Travel time, overtime, after hours time or other extraordinary repair charges or relating to repairs and or replacements outside of normal business hours.
- Rental of like or similar replacement equipment during the period of any, repair or replacement work.
- Any communicating or travel charges.
- Loss or damage to person or property other than that covered by the terms of this warranty.
- Any claims for lost revenue, lost profit or any similar costs as a result of damage or repair.
- Attorney's fees.

BERCOMAC's responsibility in respect to claims is limited to making the required repairs or replacement without charge up to our maximum labor rates and pre-established times and no claim of breach of warranty shall be cause for cancellation or rescission of the contract of sale of any product or accessory.

This warranty gives you specific legal rights. You may also have other rights, which vary from state to state.

TABLE OF CONTENTS

	Page
INTRODUCTION	2
SAFETY PRECAUTIONS	3
SAFETY DECALS	5
ASSEMBLY	
Step 1: Snowblower Preparation	6
Step 2: Snowblower Installation	7
OPERATION	
Snowblower Operation	9
Controls	9
Snow Removal	9
MAINTENANCE	
Maintenance	10
Adjustments	10
Lubrication	10
Cleaning a Clogged Discharge Chute	10
Cutting Edge Maintenance	10
Auger and Fan Shear Bolt Replacement	10
End of Season Storage	10
Belt Installation, Adjustment and Replacement	11
DISMOUNTING	
Snowblower Dismounting	13
TROUBLESHOOTING	14
PARTS BREAKDOWN & LISTS	
Chute	16
Snowblower	18
TORQUE SPECIFICATION TABLE	22
OPTIONS & ATTACHMENTS	23

INTRODUCTION

TO THE PURCHASER

This new attachment was carefully designed to give years of dependable service. This manual has been provided to assist in the safe operation and servicing of your attachment.

NOTE: All photographs and illustrations in the manual may not necessarily depict the actual models or attachment, but are intended for reference only and are based on the latest product information available at the time of publication.

Familiarize yourself fully with the safety recommendations and operating procedures before putting the machine to use. Carefully read, understand and follow these recommendations and insist that they be followed by those who will use this attachment.



THIS SAFETY ALERT SYMBOL IDENTIFIES AN IMPORTANT SAFETY MESSAGE IN THIS MANUAL THAT HELPS YOU AND OTHERS AVOID PERSONAL INJURY OR EVEN DEATH. DANGER, WARNING, AND CAUTION ARE SIGNAL WORDS USED TO IDENTIFY THE LEVEL OF HAZARD. HOWEVER, REGARDLESS OF THE HAZARD, BE EXTREMELY CAREFUL.

DANGER: Signals an extreme hazard that will cause serious injury or death if recommended precautions are not followed.

WARNING: Signals a hazard that may cause serious injury or death if the recommended precautions are not followed.

CAUTION: Signals a hazard that may cause minor or moderate injury if the recommended precautions are not followed.

Record your attachment serial number and purchase date in the section reserved below. Your dealer requires this information to give you prompt, efficient service when ordering replacement parts. Use only genuine parts when replacements are required.

If warranty repairs are required please present this registration booklet and original sales invoice to your selling dealer for warranty service.

This manual should be kept for future reference.

Please check if you have received all the parts for your kit with the list of the bag and the list of the box.

SERIAL NUMBER : _____

PURCHASE DATE : _____

SAFETY PRECAUTIONS

Careful operation is your best insurance against an accident. Read this section carefully before operating the vehicle and accessory. This accessory is capable of amputating hands and feet and throwing objects. Failure to observe the following safety instructions could result in serious injury. All operators, no matter how experienced they may be, should read this and other manuals related to the vehicle and accessory before operating. It is the owner's legal obligation to instruct all operators in safe operation of the accessory.

GLOSSARY:

In this manual, right and left sides are determined by sitting on the seat of the vehicle facing forward.

In this manual, "accessories" means attachments (snowblower, rotary broom, blade etc.) that you install on the vehicle (lawn tractors, A.T.V. s etc).

TRAINING:



This symbol, "Safety Alert Symbol", is used throughout this manual and on the accessory's safety labels to warn of the possibility of serious injury. Please take special care in reading and understanding the safety precautions before operating the vehicle and accessory.

1. Read this owner's manual carefully. Be thoroughly familiar with the controls and proper use of the vehicle and accessory. Know how to stop the unit and disengage the controls quickly.
2. Never allow children to operate the vehicle nor the accessory. Never allow adults to operate the vehicle nor the accessory without proper instructions.
3. No one should operate the vehicle nor the accessory while intoxicated or while taking medication that impairs the senses or reactions.
4. Keep the area of operation clear of all people, particularly small children and pets.

PREPARATION:

1. Thoroughly inspect the area where the accessory is to be used and remove door mats, all foreign objects and the like.
2. For motorized accessories, disengage all clutches and shift into neutral before starting engine.
3. Do not operate the accessory without wearing adequate winter outer garments. Avoid loose fitting clothing that can get caught in moving parts. Wear footwear that will improve footing on slippery surfaces.

4. Handle fuel with care, it is highly flammable.
 - a) Use approved fuel container.
 - b) Never add fuel to a running engine or hot engine.
 - c) Fill fuel tank outdoors with extreme care. Never fill fuel tank indoors.
 - d) Never fill containers inside a vehicle, or on a truck or a trailer bed with a plastic liner. Always place containers on the ground, away from your vehicle, before filling.
 - e) When practical, remove gas-powered equipment from the truck or trailer and refuel it on the ground. If this is not possible, then refuel such equipment on a trailer with a portable container, rather than from a gasoline dispenser nozzle.
 - f) Keep the nozzle in contact with the rim of the fuel tank or container opening at all times, until refueling is complete. Do not use a nozzle lock-open device.
 - g) Replace fuel cap securely and wipe up spilled fuel.
 - h) If fuel is spilled on clothing, change clothing immediately.
5. Never attempt to make any adjustments while the engine (motor) is running (except when specifically recommended by manufacturer).
6. Let the vehicle and accessory adjust to outdoor temperatures before starting to clear snow.
7. Always wear safety glasses or eye shields during operation or while performing an adjustment or repairs to protect the eyes from foreign objects that may be thrown from the accessory.
8. **Never modify the accessory or any part without the written consent from the manufacturer.**

SAFETY PRECAUTIONS

OPERATION:

1. Do not put hands or feet near, under or inside rotating parts.
2. Exercise extreme caution when operating on or crossing gravel drives, walks or roads. Stay alert for hidden hazards or traffic. Do not carry passengers.
3. After striking a foreign object, stop the engine (motor), disconnect the wire from the spark plug(s) and keep wire away to prevent accidental starting. Thoroughly inspect the accessory for any damage and repair damage before restarting and using the accessory.
4. If the unit should start to vibrate abnormally, stop the engine (motor) and check immediately for the cause. Vibration is generally a warning of trouble.
5. Take all possible precautions when leaving the vehicle unattended. Disengage the power take-off, lower the attachment, place the transmission into neutral, set the parking brake, stop the engine and remove the contact key.
6. Do not run the engine indoors, except when starting the engine and for transporting in or out of the building. Do not operate or let motor run in a storage area without ventilation because gas contains carbon monoxide which is odorless, colorless and can cause death.
7. Never clean across the face of slopes, go from top to bottom. Exercise extreme caution when using equipment on slopes. Do not attempt to clear a steep slope.
8. Never use an accessory without proper guards, plates, or other safety protective devices in place
9. Never tolerate bystanders in the working zone. Never use an accessory in the direction of bystanders, it might throw gravel or debris that can hurt people or damage property.
10. Never operate the accessory at high transport speeds on slippery surfaces. Use care when backing up.
11. Do not carry passengers.
12. Disengage power to the accessory when it is transported or not in use.

13. Never operate the accessory without good visibility or light.
14. Keep the accessory away from heat sources or flames.
15. Always wear a dust mask when working in a dusty environment.

MAINTENANCE AND STORAGE

1. When cleaning, repairing or inspecting the vehicle and accessory, make certain that all moving parts have stopped. Disconnect wire from the spark plug (s) and keep wire away to prevent accidental starting.
2. Check all the bolts at frequent intervals to make sure that they are properly tightened .
3. Never store a motorized accessory with fuel in the fuel tank inside a building where ignition sources are present such as hot water and space heaters, clothes dryers, and the like. Allow the engine to cool before storing in any enclosure.
4. Always refer to the owner's manual when you store the accessory and vehicle for a prolonged or an unspecified length of time.
5. Maintain or replace safety and instruction labels, as necessary.
6. For winter accessories, (if applicable), let the engine run for a few minutes after clean snow in order to prevent the rotary parts from freezing.
7. Inspect the vehicle's and accessory's air filter every day. Clean it or replace it as necessary. Change the oil more often when working in dusty conditions. See the vehicle's and accessory's owner's manual.

WHENEVER YOU SEE THIS SYMBOL



**IT MEANS:
WARNING!
BECOME ALERT !
YOUR SAFETY IS INVOLVED!**

SAFETY DECALS

REPLACE IF DECALS ARE DAMAGED
SEE PARTS BREAKDOWN FOR DECAL LOCATION



Decal # 102124



Decal # 102125



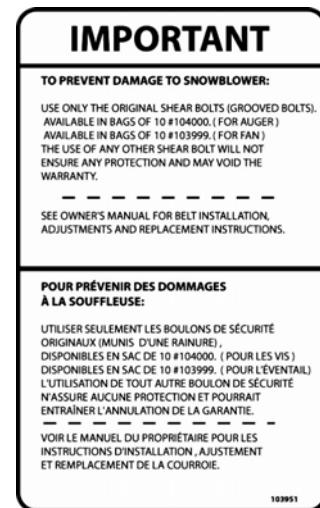
Decal # 102126



Decal # 102127



Decal # 102128



Decal # 103951

ASSEMBLY

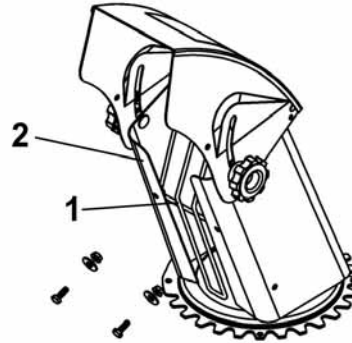
STEP 1

SNOWBLOWER PREPARATION:

Install the hand guard (item 1) in the chute (item 2) as shown.

Secure in place with two 1/4 x 3/4" hex bolts, two flat washers and two 1/4" flange nuts on the inside.

Tighten firmly.



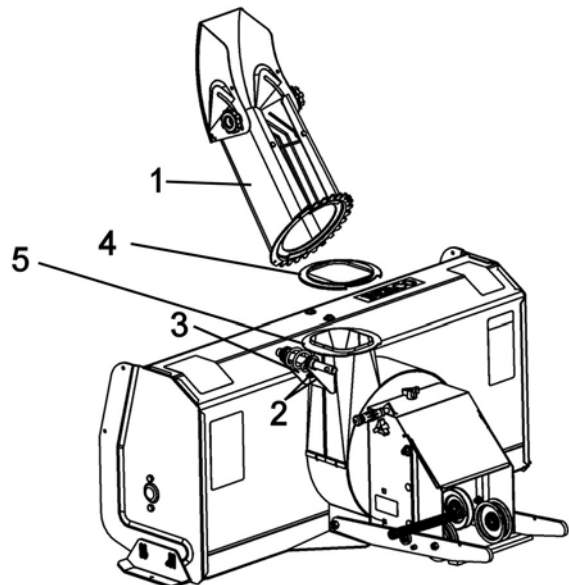
Install hand guard

Before installing the chute (item 1), loosen the two flange nuts (item 2) (down to the last threads) which holds the rotation system (item 3).

Install the rotation ring (item 4) over opening (item 5) as shown and align the notches.

Place the chute (item 1) (facing the rear) and clip the back over the rotation ring then turn the chute towards the front to lock into place.

Reinstall the rotation system by tightening the flange nuts firmly.



Install chute

ASSEMBLY

STEP 2

SNOWBLOWER INSTALLATION:

Refer to parts breakdown section for parts identification.



WARNING



TO PREVENT INJURIES:

Stop the motor.

Apply parking brake.

Remove the ignition key.

Disconnect the wire from the spark plug(s) and keep away from spark plug(s) to prevent accidental starting.

Attach the snowblower to the subframe as shown.

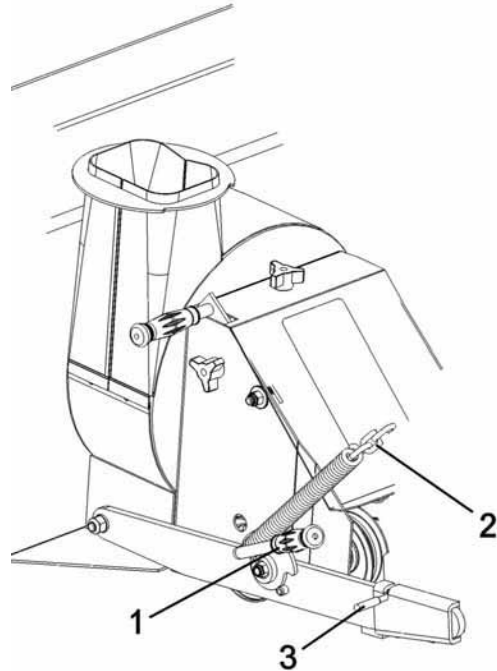
Make sure the snowblower is pushed in until locked into place by the springs (item 3).

Lift the snowblower.

Turn the tension arm (item 1) towards the back and install the chain (item 2) on the hook (if subframe is equipped with one)

Turn the tension arm towards the front to apply tension on the spring.

Lower the snowblower.



Install snowblower and lift assist spring



CAUTION



The belt tension and lift assist spring arm are spring loaded & need to be held firmly while displacing to prevent injury.

NOTE: See belt installation instructions in the Maintenance section.



WARNING



TO PREVENT INJURIES:

It is the person who installs the drive mechanism responsibility to make sure that when the clutch is disengaged that all moving parts stop.

For more information, do not hesitate to contact the technical support.



CAUTION



Never use the snowblower without the belt guard.

ASSEMBLY

Insert the handgrip (item 1) on the handle as shown.

Insert the handle hook (item 2) into the handle and secure with a 2.5 mm hair pin (item 3) as shown.

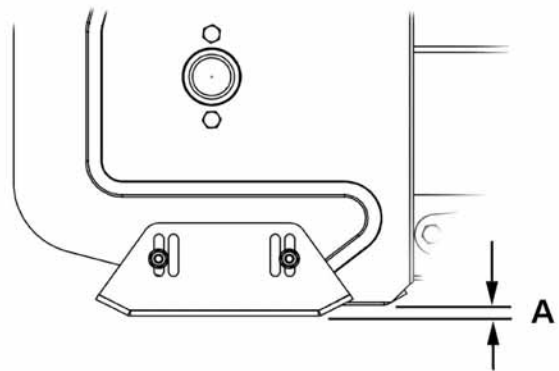


Install handle

VERIFY SKID SHOE ADJUSTMENT:

LEVEL PAVED SURFACE: Adjust skid shoes to allow 3/16" to 1/4" clearance (A) between cutting edge and surface.

UNEVEN OR GRAVEL SURFACE: Adjust skid shoes to allow 1/2" to 5/8" clearance (A) between cutting edge and surface.



VERIFY TIRE PRESSURE:

Check and adjust tractor tire pressure as follows:

Front tires: 14-15 psi
Back tires: 7-8 psi

Adjust skid shoes

Tire pressure must be even on both sides of tractor.

OPERATION

SNOWBLOWER OPERATION

- a) Make sure the snowblower is clear of snow before engaging the snowblower.
- b) Make sure that the auger and impeller operate freely.
- c) Start the tractor engine.
- d) Before engaging the snowblower drive, always have the engine running at medium R.P.M.
- e) Operate the snowblower at maximum engine R.P.M.

IMPORTANT: USE FULL ENGINE R.P.M. WHEN REMOVING WET OR STICKY SNOW. LOW R.P.M. WILL TEND TO PLUG THE CHUTE.

CONTROLS

CHUTE ROTATION

The chute rotation handle is located to the left of steering wheel. Turning the handle in a clockwise direction, the discharge chute will turn in a clockwise direction or vice versa.

CHUTE DEFLECTOR

Set the angle of the deflector according to the distance the snow must be thrown and to prevent property damage. To change the deflector angle, loosen the two deflector knobs & adjust the deflector to the appropriate angle and retighten the two knobs securely.

SNOW REMOVAL

When removing snow, do not use the snowblower as a dozer blade to push snow. Allow snowblower to ingest snow at its own speed. If the speed of your tractor is too fast, the snowblower may become overloaded and plug. For best results, raise the snowblower and remove a top layer of snow. A second pass with the snowblower will remove the remaining snow.



WARNING



- Do not attempt to clear plugged chute, auger or fan of snow while tractor engine is running.
- Disengage snowblower.
- Lower snowblower onto ground.
- Set the parking brake.
- Stop engine, remove the ignition key, disconnect the wire from spark plug(s) and keep away from spark plug(s) to prevent accidental starting.
- Make sure all moving parts have stopped.
- Do not use hand to unplug chute. Use a 36" (924 mm.) minimum length stick or board.



WARNING



Read the tractor Owner's Manual carefully. Be thoroughly familiar with the controls & proper use of the attachment. Know how to stop the attachment & disengage the controls quickly.



WARNING



- TO PREVENT INJURIES AND FOR MORE TRACTION WHEN USING AN ATTACHMENT:**
- Rear counterweight of 100 lbs. minimum is required to counterbalance the attachment's weight.
 - Tractor manufacturer approved tire chains are required.
 - Do not operate on a slope greater than 10°.
 - When dismantling the attachment remove rear counterweights.

MAINTENANCE



WARNING



TO PREVENT INJURIES:

- Stop the motor.
- Apply parking brake.
- Remove the ignition key.
- Disconnect the wire from the spark plug(s) and keep away from spark plug(s) to prevent accidental starting.

MAINTENANCE

- Check mounting bolts at frequent intervals for proper tightness in order to prevent costly repairs. Make sure your snowblower is in safe working condition.
- Provide adequate blocking before working under snowblower when in raised position.

ADJUSTMENTS

SKID SHOE ADJUSTMENT:

Level Paved Surface: Adjust skid shoes to obtain 3/16" to 1/4" clearance between cutting edge and surface.

Uneven or Gravel Surface: Adjust skid shoes to obtain 1/2" to 5/8" clearance between cutting edge and surface.

LUBRICATION

Apply oil at all pivot points.

Chute Rotation System:

Oil chute base, rotation worm when necessary.

Gear box:

Check the oil annually. If necessary, add AGMA 5 EP or SAE 90 oil.

The gear box should have a total of 155 ml of oil or filled to the rim of the bolt hole when installed on the snowblower.

CLEARING A CLOGGED DISCHARGE CHUTE:

Hand contact with the rotating impeller inside the discharge chute is the most common cause of injury associated with snowblowers. Never use your hand to clean out the discharge chute.

To clear the chute:

- Lower snowblower to the ground and set parking brake.
- SHUT THE ENGINE OFF & REMOVE KEY!
- Wait 10 seconds to be sure the **all moving parts** such as the impeller blades have stopped moving.
- Disconnect wire from the spark plug(s) and keep wire away to prevent accidental starting.
- Always use a clean-out tool of at least 36" in length, NOT YOUR HANDS.

CUTTING EDGE MAINTENANCE

Verify from time to time the wearing on the cutting edge to make sure you do not wear out the base of the snowblower's chassis. This cutting edge is reversible. All you have to do is unscrew the bolts and turn the cutting edge, reinstall and tighten the bolts securely.

AUGERS AND FAN SHEAR BOLT REPLACEMENT

Shear bolts are to be considered a preventive measure and not an assured protection. Operator vigilance is required. Thoroughly inspect the areas where the snowblower is to be used and remove all foreign objects.

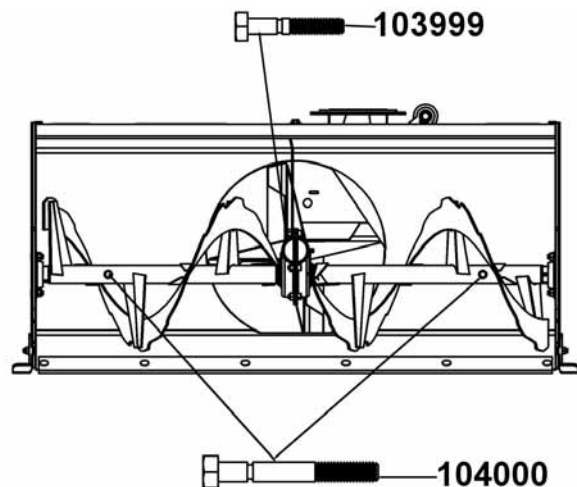
To avoid damage to the snowblower:

Use only the original shear bolts (grooved bolts).

#104000 in bags of 10 for the augers.

#103999 in bags of 10 for the fan.

The use of any other shear bolt will not insure any protection and may void the warranty.



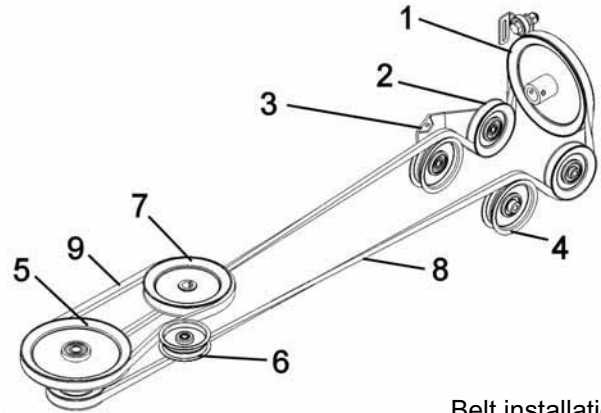
END OF SEASON STORAGE

- Clean snowblower and subframe thoroughly and repaint all parts from which paint has worn.
- List the replacement parts that will be needed for the next season.
- Store the snowblower and the subframe in a dry place.
- Follow the instructions in the Lubrication section.

MAINTENANCE

BELT INSTALLATION, ADJUSTMENT, AND REPLACEMENT: SNOWBLOWER BELT:

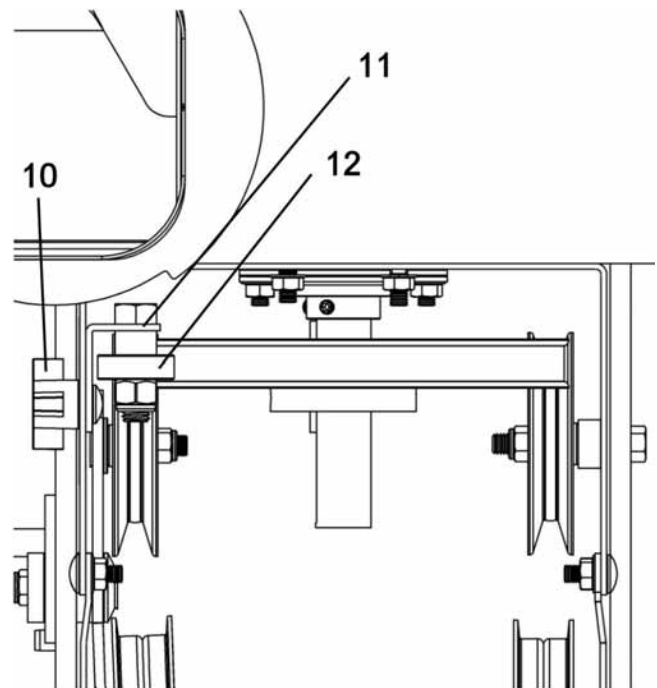
- a) Lower the snowblower to the ground.
- b) Remove the belt guard.
- c) Loosen the knob (item 10) of the bearing support (item 11).
- d) Install the belt as shown.



Belt installation

- Item 1: Snowblower pulley
- Item 2: V pulley
- Item 3: Tension arm
- Item 4: Flat pulley
- Item 5: Drive mechanism pulley
- Item 6: Flat pulley
- Item 7: Engine pulley
- Item 8: Snowblower belt
- Item 9: Drive mechanism belt

- e) Adjust the ball bearing support (bracket) (item 11) on the belt. Push on the bearing (item 12) to apply a slight pressure on the back of the belt (just enough to hold the belt in place). It is normal that the bearing is off centre (towards the back of the snowblower) on the pulley. Just make sure that it does not come into contact with the wall of the pulley. Tighten firmly with the knob (item 10).



Position the bearing support

MAINTENANCE

- f) Apply tension to the belt by pulling up the tension arm (item 1). After installation of the snowblower belt, make sure there is enough tension on the belt. To obtain the proper tension, the distance between the coils of the spring should be .25" (1/4") approx. If not, remove the bolt, sleeve and the spring (item 3) from the original hole and reinstall them in the second hole (item 2). This will apply more tension on the belt helping to prevent it from slipping in the pulleys.
- g) Engage the snowblower for a few seconds under supervision. Stop the engine. Inspect the belt to make sure it does not interfere with any parts; that it is well inserted in the pulleys and that it has not flipped on it's side while still on the pulleys. The V of the belt **must be in** the V of the pulleys. The back of the belt **must rest on** the flat pulleys (D) as shown.
- h) Reinstall the belt guard.
- i) Use genuine belts only, they are specifically fabricated for this application.

NOTE: Belts must be under high tension at all times. If spring is damaged or stretched, you must replace it.

DRIVE MECHANISM BELT:

See subframe manual for belt replacement instructions.



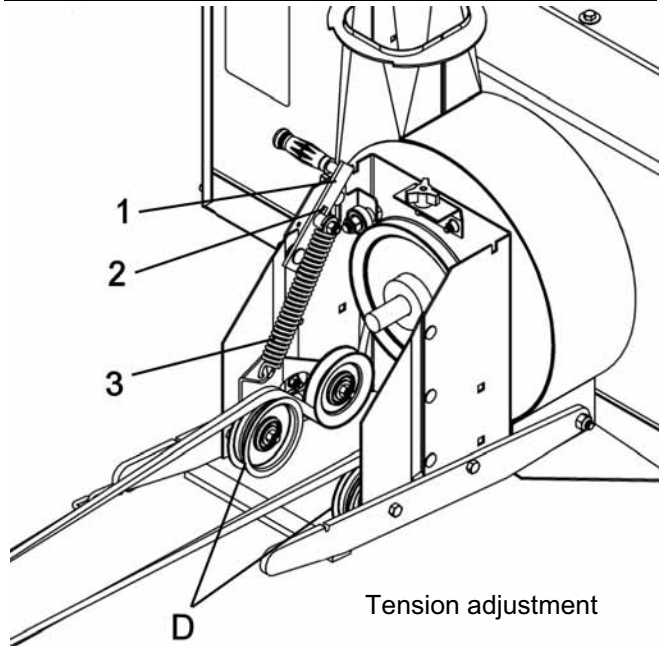
WARNING



TO PREVENT INJURIES:

It is the person who installs the drive mechanism responsibility to make sure that when the clutch is disengaged that all moving parts stop.

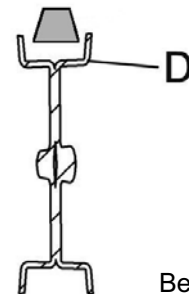
For more information, do not hesitate to contact the technical support.



CAUTION



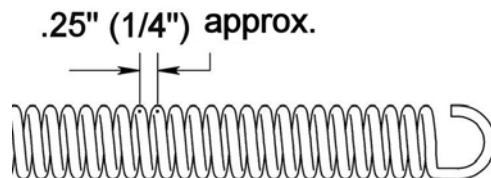
The belt tension and lift assist spring arm are spring loaded & need to be held firmly while displacing to prevent injury.



CAUTION



Never use the snowblower without the belt guard.



Distance between coils

DISMOUNTING

SNOWBLOWER DISMOUNTING



WARNING



TO PREVENT INJURIES:

Stop the motor.

Apply parking brakes.

Remove the ignition key.

Disconnect the wire from the spark plug(s) and keep away from spark plug(s) to prevent accidental starting.



CAUTION



The belt tension and lift assist spring arm are spring loaded & need to be held firmly while displacing to prevent injury.

- a) Remove the hair pin and the handle from the rotation system.
- b) Remove the belt guard and release the tension on the belt by displacing the tension arm backwards. The tension arm is spring loaded and needs to be held firmly while lowering to prevent injuries. Remove the belt.
- c) Detach the snowblower by removing the lift assist spring and by lifting the two spring locks on the male quick hitch and pulling out the snowblower one side at a time.

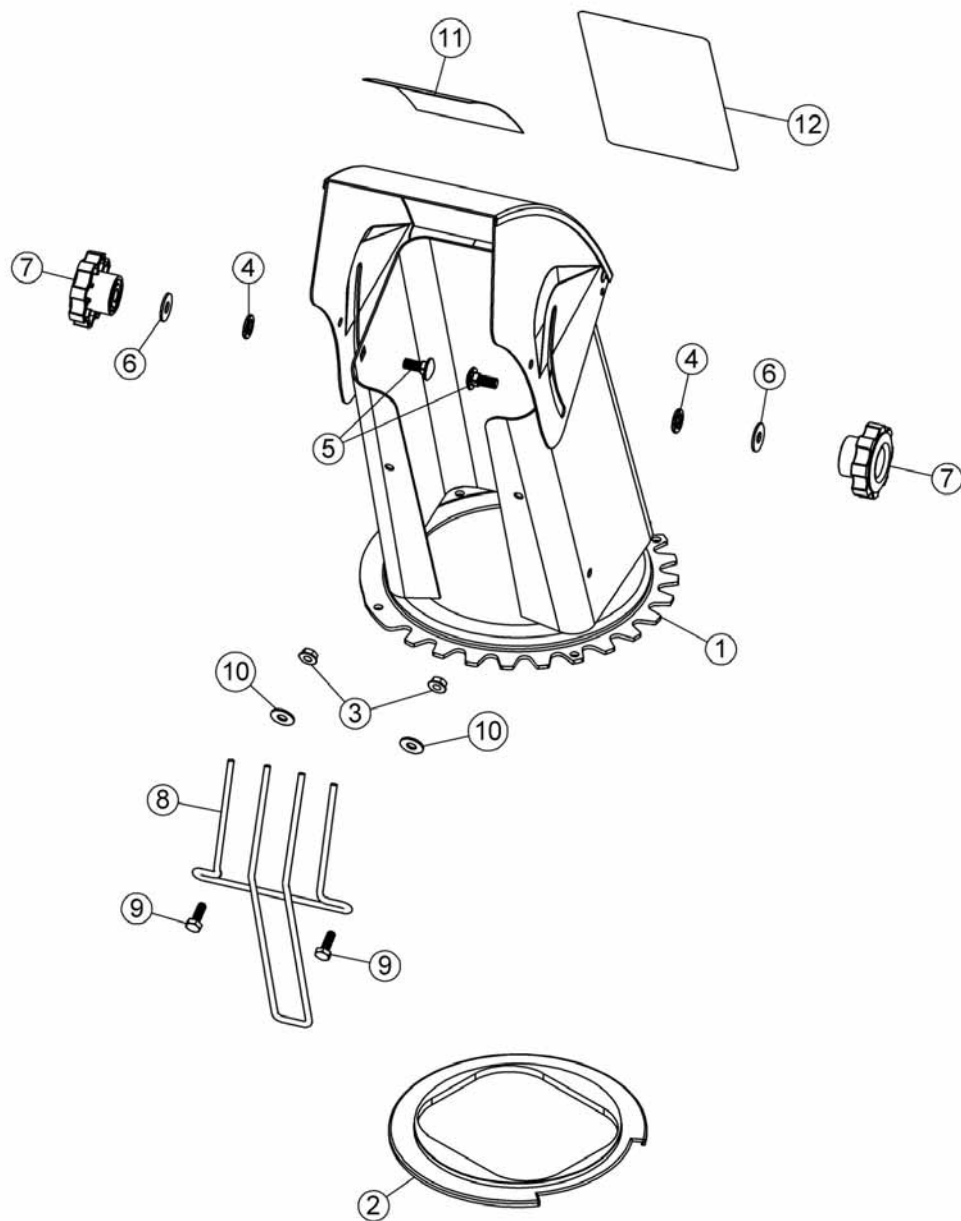
TROUBLESHOOTING

PROBLEM	POSSIBLE CAUSES	CORRECTIVE ACTION
One section or both sections of the auger stops turning.	Shear bolts are probably broken.	Replace shear bolt (for identification, see parts list "Snowblower").
Fan stops turning.	Shear bolt is probably broken.	Replace shear bolt (for identification, see parts list "Snowblower").
Snowblower stops turning.	One of the two belts is probably damaged or broken.	Check both belts and replace damaged belt(s) (for instructions, see Maintenance section, Installation, Adjustment and Replacement section).
Belt has burn marks in specific places.	Lack of tension on belt. Snowblower engaged when plugged.	Adjust manual clutch cable or replace springs if stretched. To obtain the proper tension, the distance between the coils of the spring should be .25" (1/4"). If not, remove the bolt, sleeve and the spring from the original hole and reinstall them in the second hole. (See Maintenance section, Belt installation, adjustment and replacement). Make sure the auger & the fan are not frozen or plugged before engaging.
Chute plugs easily.	Tractor engine turning too slowly. Advancing too quickly with tractor.	Run engine at full throttle during snowblowing operation. Allow snowblower to ingest snow at its own speed.
Chute rotation is difficult.	Dirt or ice may be underneath chute.	Dismount chute by removing the rotation worm (for identification, see parts list "Chute with Rotation System"). Turn the chute completely towards the rear and it will disconnect from base. Clean the base of chute and the rotation ring. Lubricate & re-install.

TROUBLESHOOTING

PROBLEM	POSSIBLE CAUSES	CORRECTIVE ACTION
Snowblower digs into ground.	Ground is not frozen or too soft.	Adjust skid shoes lower so they may better support the snowblower. If problem persists, change skid shoes for heavy duty skid shoes (option #700243) which cover more surface and prevents snowblower from digging.
Snowblower does not raise evenly.	<p>Tire pressure uneven from one side to another.</p> <p>Maladjustment of the snowblower.</p>	<p>Verify and adjust tire pressure: Front tires: 14 to 15 psi Rear tires: 7 to 8 psi</p> <p>Loosen male hitch on snowblower (for identification, see parts list "Snowblower").</p> <p>Place a shim (ex.:piece of wood approx. 2" thick) under the lowest side of snowblower which needs to be leveled. Re-tighten bolts.</p>
Snowblower vibrates or is abnormally noisy.	<p>Damaged pulley.</p> <p>Damaged bearing.</p> <p>Damaged fan.</p> <p>Damaged auger.</p>	<p>Replace pulley.</p> <p>Replace bearing.</p> <p>Dismount & repair or replace fan.</p> <p>Replace auger.</p>

PARTS BREAKDOWN / NOMENCLATURE DES PIÈCES CHUTE / GOULOTTE

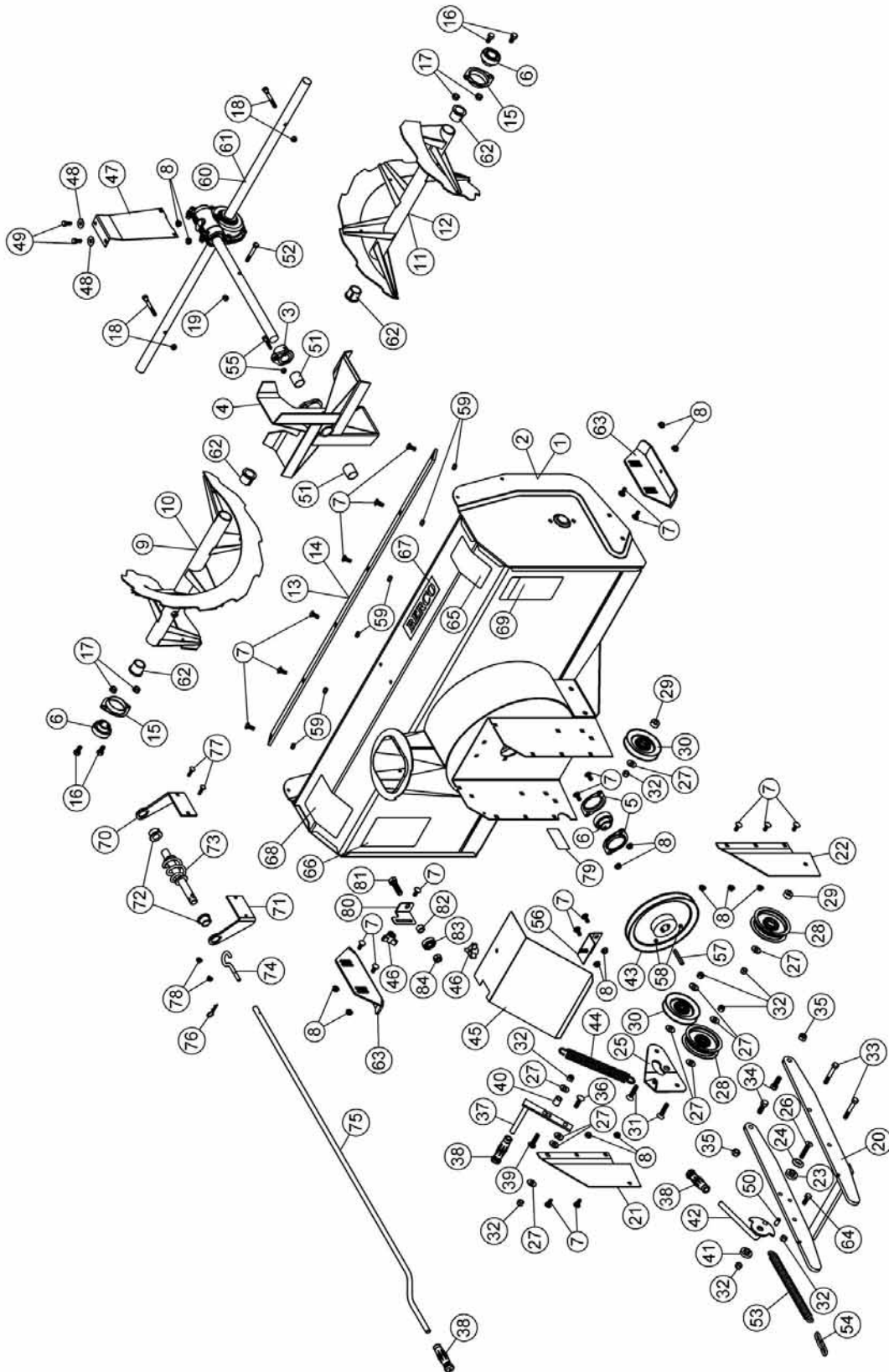


PARTS LIST / LISTE DES PIÈCES

REF. RÉF.	DESCRIPTION	DESCRIPTION	QTY QTÉ	PART # PIÈCE #
1	Chute	Goulotte	1	103936
2	Rotation ring	Anneau de rotation	1	103943
3	Flange nut 1/4" n.c.	Écrou à bride 1/4" n.c.	2	O/L
4	Nylon flat washer 7/16"	Rondelle plate de nylon 7/16"	2	102011
5	Carriage bolt 5/16" n.c. x 3/4"	Boulon à carrosserie 5/16" n.c. x 3/4"	2	O/L
6	Nylon flat washer 11/32"	Rondelle plate de nylon 11/32"	2	102009
7	Knob	Bouton	2	102020
8	Hand guard	Fourche protectrice	1	102012
9	Hex. bolt 1/4" n.c. x 3/4"	Boulon hex. 1/4" n.c. x 3/4"	2	O/L
10	Flat washer 5/16" hole	Rondelle plate 5/16" trou	2	O/L
11	Danger decal	Décalque danger	1	102127
12	Warning decal	Décalque attention	1	102125

O/L = Obtain locally / obtenir localement

PARTS BREAKDOWN / NOMENCLATURE DES PIÈCES SNOWBLOWER / SOUFFLEUSE



PARTS LIST / LISTE DES PIÈCES

REF. RÉF.	DESCRIPTION	DESCRIPTION	QTY QTÉ	PART # PIÈCE #
1	Frame 44"	Châssis 44"	1	103929
2	Frame 48"	Châssis 48"	1	103954
3	Shear plate	Plaque de cisaillement	1	103933
4	Fan	Éventail	1	103932
5	Flangette	Flangette	2	102213
6	Bearing with set screw	Roulement à billes avec vis à pression	3	102755
7	Carriage bolt 5/16" n.c. x 3/4"	Boulon à carrosserie 5/16" n.c. x 3/4"	20	O/L
8	Flange nut 5/16" n.c.	Écrou à bride 5/16" n.c.	15	O/L
9	Auger 44" left	Vis 44" Gauche	1	103930
10	Auger 48" left	Vis 48" gauche	1	103955
11	Auger 44" right	Vis 44" droite	1	103931
12	Auger 48" right	Vis 48" droite	1	103956
13	Cutting edge 44"	Racloir 44"	1	102101
14	Cutting edge 48"	Racloir 48"	1	103187
15	Flangette	Flangette	2	102680
16	Hex. bolt 3/8" n.c. x 3/4"	Boulon hex. 3/8" n.c. x 3/4"	4	O/L
17	Flange nut 3/8" n.c.	Écrou à bride 3/8" n.c.	4	O/L
18	Shear bolt / N.I.L.N. (auger) pkg-10	Boulon de séc. / É.G.N. (vis) pqt-10	2	104000
19	Nylon insert lock nut 5/16" n.c.	Écrou à garniture de nylon 5/16" n.c.	1	O/L
20	Male hitch	Attache mâle	1	103949
21	Left plate	Plaque gauche	1	103934
22	Right plate	Plaque droite	1	103935
23	Flange washer	Rondelle à bride	1	102081
24	Special washer	Rondelle plate spécial	1	103042
25	Tension lever	Levier de tension	1	103938
26	Hex socket f.h. cap screw 3/8" n.c. x 2"	Vis a pression hex. t.p. 3/8" n.c. x 2"	1	O/L
27	Flat washer 7/16" hole	Rondelle plate 7/16" trou	10	O/L
28	Flat pulley	Poulie plate	2	102765

O/L = Obtain locally/obtenir localement

PARTS LIST / LISTE DES PIÈCES

REF. RÉF.	DESCRIPTION	DESCRIPTION	QTY QTÉ	PART # PIÈCE #
29	Sleeve	Douille	2	103939
30	V pulley	Poulie en V	2	102766
31	Hex socket f.h. cap screw 3/8" n.c. x 1-3/4"	Vis a pression hex. t.p. 3/8" n.c. x 1-3/4"	2	O/L
32	Nylon insert lock nut 3/8" n.c.	Écrou à garniture de nylon 3/8" n.c.	8	O/L
33	Hex. bolt 3/8" n.c. x 2 1/2"	Boulon hex 3/8" n.c. x 2 1/2"	2	O/L
34	Hex. bolt 7/16" n.c. x 1 1/4"	Boulon hex. 7/16" n.c. x 1 1/4"	2	O/L
35	Nylon insert lock nut 7/16" n.c.	Écrou à garniture de nylon 7/16" n.c.	2	O/L
36	Carriage bolt 3/8" n.c. x 1 1/4"	Boulon à carrosserie 3/8" n.c. x 1 1/4"	1	O/L
37	Tension arm	Bras de tension	1	103026
38	Handgrip	Poignée	3	102062
39	Carriage bolt 3/8" n.c. x 1-1/2"	Boulon à carrosserie 3/8" n.c. x 1 1/2"	1	O/L
40	Sleeve	Douille	1	103028
41	Flange washer	Rondelle à bride	1	103481
42	Tension arm	Bras de tension	1	103947
43	V pulley	Poulie en V	1	103740
44	Spring	Ressort	1	102861
45	Belt guard	Garde-courroie	1	103937
46	Knob	Bouton	2	103027
47	Gear box support	Support de boîte d'engrenage	1	103940
48	Flat washer 3/8" hole	Rondelle plate 3/8" trou	2	O/L
49	Hex. bolt 5/16" n.c. x 3/4"	Boulon hex. 5/16" n.c. x 3/4"	2	O/L
50	Roll pin 3/8" x 3/4"	Goupille roulée 3/8" x 3/4"	1	O/L
51	Oil lite bushing	Coussinet imprégné d'huile	2	102784
52	Hex. bolt 5/16" n.c. x 2 1/4" GR8	Boulon hex. 5/16" n.c. x 2 1/4" GR8	1	O/L
53	Spring	Ressort	1	103073
54	Chain	Chaîne	1	103950
55	Shear bolt / N.I.L.N. (fan) pkg-10	Boulon de séc./ É.G.N. (éven.) pqt-10	1	103999
56	Belt guard support	Support de garde-courroie	1	103990

O/L = Obtain locally/obtenir localement

PARTS LIST / LISTE DES PIÈCES

REF. RÉF.	DESCRIPTION	DESCRIPTION	QTY QTÉ	PART # PIÈCE #
57	Key 1/4" x 1/4" x 2"	Clé 1/4" x 1/4" x 2"	1	102922
58	Hex. socket set screw 5/16" n.c. x 5/16"	Vis à pression hex. 5/16" n.c. x 5/16"	2	O/L
59	Stover lock nut 5/16" n.c.	Écrou de blocage 5/16" n.c.	6	O/L
60	Gear box 44"	Boîte d'engrenage 44"	1	103944
61	Gear box 48"	Boîte d'engrenage 48"	1	103948
62	Rotation bushing	Coussinet de rotation	4	103946
63	Skid shoe	Patin	2	103188
64	Hex. bolt 3/8" n.c. x 1"	Boulon hex. 3/8" n.c. x 1"	1	O/L
65	Danger decal	Décalque danger	1	102126
66	Shear bolt decal	Décalque boulon de sécurité	1	103951
67	Berco decal	Décalque Berco	1	102471
68	Warning decal	Décalque attention	1	102124
69	Danger decal	Décalque danger	1	102128
70	Worm support	Support spirale	1	103941
71	Worm support	Support spirale	1	103942
72	Rotation bushing	Coussinet de rotation	2	103945
73	Rotation worm	Spirale de rotation	1	102005
74	Handle hook	Crochet de manivelle	1	102006
75	Handle	Manivelle	1	102061
76	Hair pin 2.5mm	Goupille à ressort 2.5mm	1	102013
77	Carriage bolt 1/4" n.c. x 1"	Boulon à carrosserie 1/4" n.c. x 1"	2	O/L
78	Flange nut 1/4" n.c.	Écrou à bride 1/4" n.c.	2	O/L
79	Serial number	Numéro de série	1	REF
80	Bracket	Fixation	1	104734
81	Hex. bolt 1/2" n.c. x 1 3/4"	Boulon hex. 1/2" n.c. x 1 3/4"	1	O/L
82	Bushing	Coussinet	1	102225
83	Bearing	Roulement à billes	1	104624
84	Nylon insert lock nut 1/2" n.c.	Écrou à garniture de nylon 1/2" n.c.	1	O/L

O/L = Obtain locally/obtenir localement

TORQUE SPECIFICATION TABLE

GENERAL TORQUE SPECIFICATION TABLE

USE THE FOLLOWING TORQUES WHEN SPECIAL TORQUES ARE NOT GIVEN

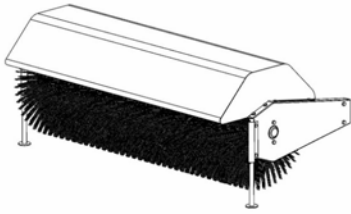
NOTE: These values apply to fasteners as received from supplier, dry or when lubricated with normal oil. They do not apply if special graphited or moly disulphide greases or other extreme pressure lubricants are used. This applies to both UNF and UNC threads.

SEE Grade No.		2				5				8 *			
BOLT HEAD IDENTIFICATION MARKS AS PER GRADE NOTE MANUFACTURING MARKS WILL VARY		TORQUE				TORQUE				TORQUE			
BOLT SIZE		POUNDS FEET		NEWTON-METERS		POUNDS FEET		NEWTON-METERS		POUNDS FEET		NEWTON-METERS	
Inches	Millimetre	Min.	Max.	Min.	Max.	Min.	Max.	Min.	Max.	Min.	Max.	Min.	Max.
1/4"	6.35	5	6	6.8	8.13	9	11	12.2	14.9	12	15	16.3	30.3
5/16"	7.94	10	12	13.6	16.3	17	20.5	23.1	27.8	24	29	32.5	39.3
3/8"	9.53	20	23	27.1	31.2	35	42	47.5	57	45	54	61	73.2
7/16"	11.11	30	35	40.7	47.4	54	64	73.2	86.8	70	84	94.9	113.9
1/2"	12.7	45	52	61	70.5	80	96	108.5	130.2	110	132	149.2	179
9/16"	14.29	65	75	88.1	101.6	110	132	149.2	179	160	192	217	260.4
5/8"	15.88	95	105	128.7	142.3	150	180	203.4	244.1	220	264	298.3	358
3/4"	19.05	150	185	203.3	250.7	270	324	366.1	439.3	380	456	515.3	618.3
7/8"	22.23	160	200	216.8	271	400	480	542.4	650.9	600	720	813.6	976.3
1"	25.4	250	300	338.8	406.5	580	696	786.5	943.8	900	1080	1220.4	1464.5

*Thick nuts must be used with grade 8 bolts

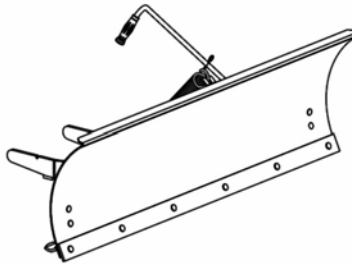
METRIC BOLT TORQUE SPECIFICATIONS							
Size Screw	Grade No.	Pitch (mm)	COARSE THREAD		FINE THREAD		
			Pounds Feet	Newton-Meters	Pitch (mm)	Pounds Feet	Newton-Meters
M6	4T	1.00	3.6 - 5.8	4.9 - 7.9	-	-	-
	7T		5.8 - 9.4	7.9 - 12.7		-	-
	8T		7.2 - 10	9.8 - 13.6		-	-
M8	4T	1.25	7.2 - 14	9.8 - 19	1.00	12 - 17	16.3 - 23
	7T		17 - 22	23 - 29.8		19 - 27	25.7 - 36.6
	8T		20 - 26	27.1 - 35.2		22 - 31	29.8 - 42
M10	4T	1.50	20 - 25	27.1 - 33.9	1.25	20 - 29	27.1 - 39.3
	7T		34 - 40	46.1 - 54.2		35 - 47	47.4 - 63.7
	8T		38 - 46	51.5 - 62.3		40 - 52	54.2 - 70.5
M12	4T	1.75	28 - 34	37.9 - 46.1	1.25	31 - 41	42 - 55.6
	7T		51 - 59	69.1 - 79.9		56 - 68	75.9 - 92.1
	8T		57 - 66	77.2 - 89.4		62 - 75	84 - 101.6
M14	4T	2.00	49 - 56	66.4 - 75.9	1.50	52 - 64	70.5 - 86.7
	7T		81 - 93	109.8 - 126		90 - 106	122 - 143.6
	8T		96 - 109	130.1 - 147.7		107 - 124	145 - 168
M16	4T	2.00	67 - 77	90.8 - 104.3	1.50	69 - 83	93.5 - 112.5
	7T		116 - 130	157.2 - 176.2		120 - 138	162.6 - 187
	8T		129 - 145	174.8 - 196.5		140 - 158	189.7 - 214.1
M18	4T	2.00	88 - 100	119.2 - 136	1.50	100 - 117	136 - 158.5
	7T		150 - 168	203.3 - 227.6		177 - 199	239.8 - 269.6
	8T		175 - 194	237.1 - 262.9		202 - 231	273.7 - 313
M20	4T	2.50	108 - 130	146.3 - 176.2	1.50	132 - 150	178.9 - 203.3
	7T		186 - 205	252 - 277.8		206 - 242	279.1 - 327.9
	8T		213 - 249	288.6 - 337.4		246 - 289	333.3 - 391.6

OPTIONS & ATTACHMENTS



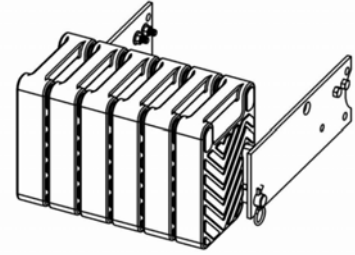
ROTARY BROOM
 #700380 with nylon brush
 #700381 with polypropylene brush.

Fits on same subframe as snowblower or utility blade.
 Requires an adaptor.



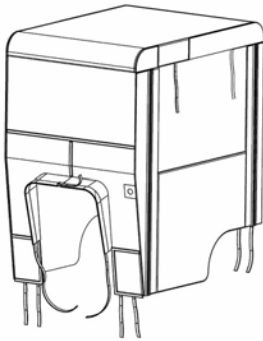
UTILITY BLADE #700266

Mounts on the same subframe as the snowblower & rotary broom.



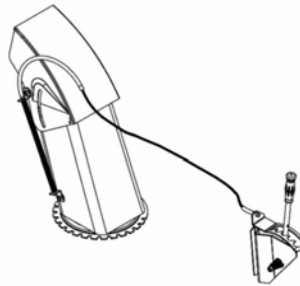
COUNTERWEIGHT

#700240 Universal rear weights
 #700246 Rear weights Electrolux
 Required for safety and traction.
 Counter-balances weight of attachment.



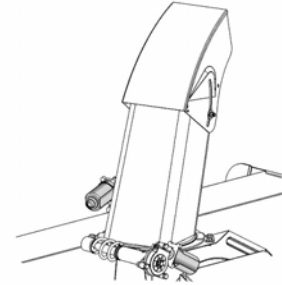
TRACTOR WINTER CAB
 #700423

Universal type fits on a wide variety of lawn and garden tractors.



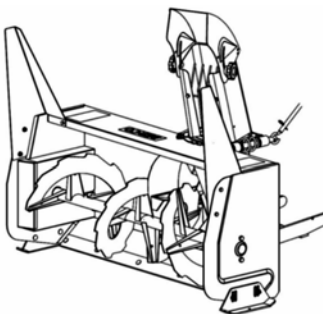
DEFLECTOR ADJUSTMENT KIT
 #700239

Adjusts height at which snow is thrown from the driver's seat.



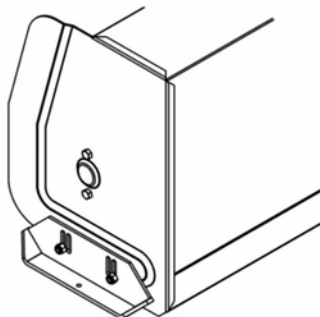
ELECTRIC DEFLECTOR ADJUSTMENT KIT
 #700371
ELECTRIC CHUTE ROTATION KIT
 #700372

Allows to adjust deflector or rotate the chute electrically from driver's seat.



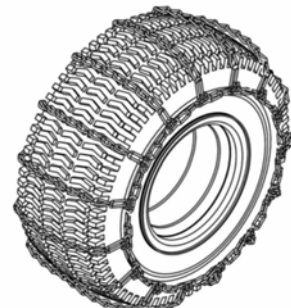
SNOW DRIFT CUTTER

#700260 for Northeast snowblower.
 Facilitates and increases snow intake.
 Pkg. of 2



HEAVY DUTY SKID SHOES
 #700243

For gravel driveways.
 Pkg. of 2



TIRE CHAINS

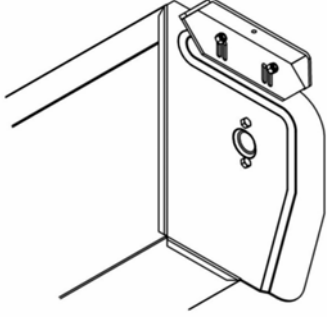
Two link spacing.
 Required for traction and safety.
 Pkg. of 2

OPTIONS & ACCESSOIRES

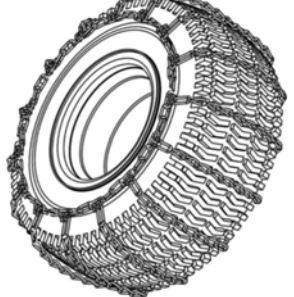
COUTEAUX À NEIGE
#700260 pour souffluse Nordet.
Permet de couper les amoncellements de neige
Emb. de 2



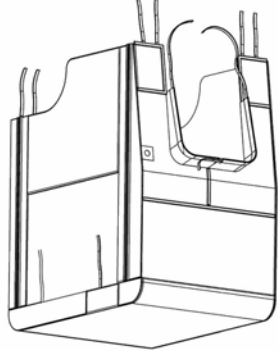
PATINS EXTRA-ROBUSTES
#700243
Pour les entrées de gravier.
Emb. de 2



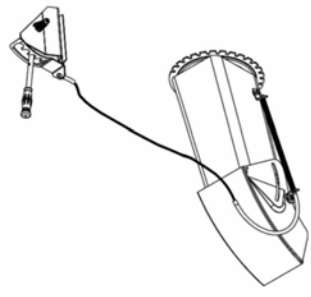
CHAÎNES À PNEUS
Espacement à chaque 2 mailles
requis pour une meilleure traction et
une plus grande sécurité.
Emb. de 2



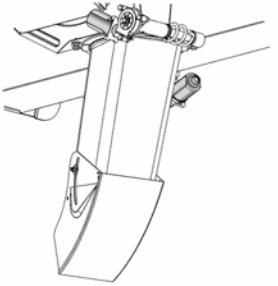
CABINE D'HIVER POUR TRACTEUR
#700423
S'adapte sur la plupart des tracteurs
de jardin & pelouse.



ENSEMBLE D'AJUSTEMENT DU DÉFLECTEUR
#700239
Permet d'ajuster le déflecteur depuis le siège du tracteur.



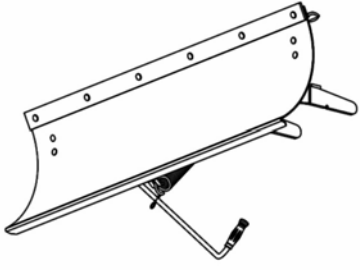
NEC. D'AJUSTEMENT DU DÉFLECTEUR ÉLECTRIQUE
#700371
NEC. DE ROTATION DE LA GOULOTTE ÉLECTRIQUE #700372
Permet d'ajuster le déflecteur ou tourner la goulotte depuis le siège du tracteur.



BALAI ROTATIF
#700380 avec brosse de nylon.
#700381 avec brosse polypropylène.
Se monte sur le même sous-châssis que la souffluse et la lame utilitaire.
Requiert un adaptateur.



LAME #700266
S'installe sur le même sous-châssis que la souffluse et balai rotatif.



CONTREPOIDS
#700240 contrepois arrière universel
#700246 contrepois arrière Electrolux
Requis pour une plus grande sécurité et une meilleure traction.
Contrebalance le poids de l'accessoire.



DÉPANNAGE

PROBLÈME	CAUSES POSSIBLES	ACTION CORRECTIVE
La rotation de la goulotte se fait difficilement.	Des saletés peuvent être accumulées sous la goulotte.	Démontez la chute en enlevant la vis de rotation (pour l'identification, voir nomenclature des pièces dans la section anglaise sous "Goulotte avec système de rotation"). Tournez la goulotte complètement vers l'arrière et elle se décrochera de la base. Nettoyez la base de la goulotte et l'anneau de rotation. Lubrifiez et réinstallez.
La souffluse s'enforce dans le sol.	Le sol n'est pas gelé/trop mou.	Ajustez les patins plus bas afin qu'ils supportent mieux la souffluse. Si le problème persiste, changez les patins pour le modèle extra robuste (option #700243) qui couvre beaucoup plus de surface au sol ce qui empêche la souffluse de s'enfoncer.
La souffluse ne lève pas également.	Pneus plus gonflés d'un côté que de l'autre. Mauvais ajustement de la souffluse.	Vérifiez et ajustez la pression des pneus à l'avant: 14 à 15 psi pneus à l'arrière: 7 à 8 psi Dévissez légèrement le châssis mâle de la souffluse (pour l'identification, voir nomenclature des pièces dans la section anglaise sous "Souffluse"). Placez une cale d'épaisseur sous la souffluse du côté le plus bas afin d'équilibrer. Resserrez les boulons.
La souffluse vibre ou est anormalement bruyante.	Pouille endommagée. Roulement défectueux. L'éventail endommagé. Vis pliée.	Remplacez la pouille. Remplacez le roulement. Démontez et redressez ou remplacez l'éventail. Remplacez la vis.

DÉPANNAGE

PROBLÈME	CAUSES POSSIBLES	ACTION CORRECTIVE
Une section ou les deux sections de la vis ne tournent plus.	Vérifiez les boulons de sécurité, ils sont probablement coupés.	Remplacez les boulons de sécurité (pour identification, voir la nomenclature des pièces dans la section anglaise sous "Sécurité").
L'éventail ne tourne plus.	Le boulon de sécurité est probablement coupé.	Remplacez le boulon de sécurité (pour identification, voir la nomenclature des pièces dans la section anglaise sous "Sécurité").
La souffeuse ne tourne pas.	Une des deux courroies est probablement endommagée ou sectionnée.	Vérifiez les deux courroies et remplacez la ou les courroies endommagées (pour instructions, voir section "ENTRETIEN", Ajustement et installation, Remplacement des courroies).
La courroie est brûlée à un endroit spécifique.	Manque de tension sur la courroie.	Ajustez le câble sur l'embrayage manuel ou remplacez les ressorts étirés. Pour obtenir la bonne tension, la distance entre les anneaux du ressort doit être .25" (1/4"). Si ce n'est pas le cas, enlever le boulon, la douille et le ressort du trou original et les réinstaller dans le deuxième trou. (Voir section Installation, Ajustement et Remplacement de la courroie.) Assurez-vous que la vis et l'éventail ne sont pas gelés ou bloqués avant de démarrer.
La goulotte se bloque facilement.	Moteur du tracteur tourne trop lentement. Vous avancez trop vite avec le tracteur.	Toujours faire tourner le moteur à plein régime pendant le soufflage. Réduire la vitesse d'avancement. Laissez la souffeuse broyer et aspirer la neige par elle-même.

DÉMONTAGE

DÉMONTAGE DE LA SOUFFLEUSE

ATTENTION

POUR PRÉVENIR DES BLESSURES:
Arrêtez le moteur.
Appliquez le frein de stationnement.
Enlevez la clé du contact.
Débranchez le fil de la ou des bougie(s) et gardez-le éloigné de la ou des bougie(s) pour prévenir un démarrage accidentel.

PRÉCAUTIONS

Le bras de tension de la courroie et du ressort d'assistance au relevage doivent être tenu fermement lorsque vous déplacez le bras afin de prévenir des blessures

a) Enlever la goupille à ressort et la manivelle du système de rotation.

b) Enlever le garde-courroie et relâcher la tension de la courroie en déplaçant le bras de tension vers l'arrière. Le bras est sous tension et doit être tenu fermement lorsque vous le baissez pour prévenir des blessures. Enlever la courroie.

c) Détacher la souffeuse en retirant le ressort d'assistance au relevage et en levant les ressorts de barrire sur l'attache rapide et en tirant la souffeuse un côté à la fois.

ENTRETIEN

ATTENTION

POUR PRÉVENIR LES BLESSURES:

C'est la responsabilité de la personne qui effectue l'installation du mécanisme d'entraînement de s'assurer que lorsqu'on débriève l'embrayage toutes les pièces mobiles s'arrêtent.

Pour de plus amples informations, n'hésitez pas à contacter le support technique.

f) Appliquer de la tension sur la courroie en levant le bras de tension (item 1).
Après l'installation de la courroie de la souffléuse, assurez-vous qu'il y a suffisamment de tension sur la courroie. Pour obtenir la bonne tension, la distance entre les anneaux du ressort doit être .25" (1/4") approx. Si ce n'est pas le cas, enlever le boulon, la douille et le ressort (item 3) du trou original et les réinstaller dans le deuxième trou (item 2). Ceci appliquera plus de tension sur la courroie afin de s'assurer qu'elle ne glisse pas dans les poulies.

g) Embrayer la souffléuse, laisser-la fonctionner quelques secondes et arrêter le moteur. Inspecter la courroie pour vous assurer qu'elle n'est en interférence avec aucune pièce; qu'elle est bien insérée dans les poulies et qu'elle n'est pas tournée sur le côté. Le V de la courroie **doit être** dans le V des poulies. Le dos de la courroie **doit être** appuyé sur les poulies (D) tel qu'illustré.

h) Réinstaller le garde courroie.

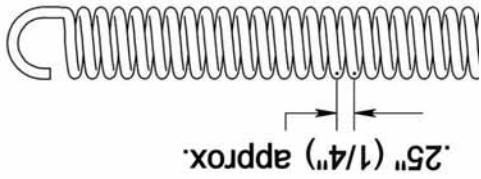
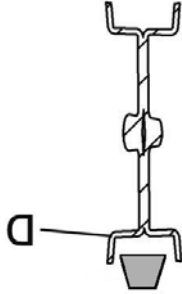
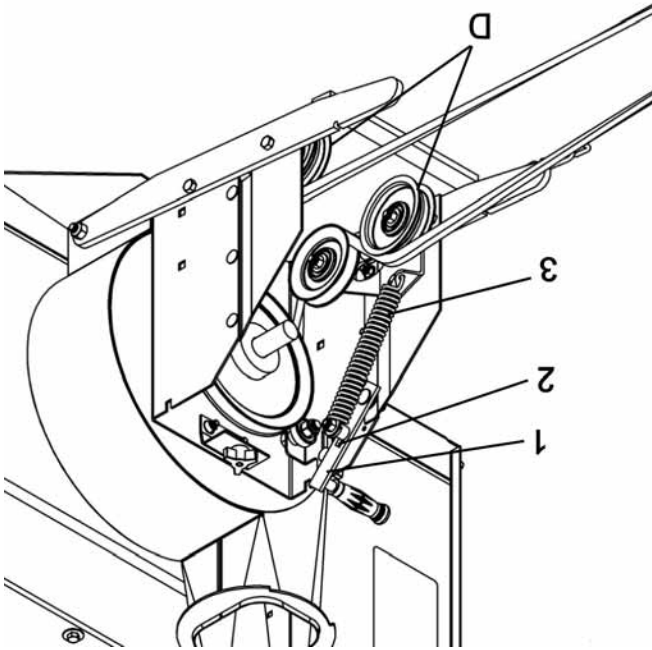
i) Utiliser les courroies d'origine puisqu'elles sont fabriquées pour cette application.

NOTE: Il doit y avoir de la tension sur les courroies en tout temps. Si le ressort est endommagé ou étiré, il doit être remplacé.

COURROIE DU MÉCANISME D'ENTRAÎNEMENT:
Voir manuel du sous-chassis pour instruction de remplacement.

Ne jamais utiliser la souffléuse sans le garde-courroie.

Le bras de tension de la courroie et du ressort d'assistance au relevage doivent être tenu fermement lorsque vous déplacez le bras afin de prévenir des blessures.



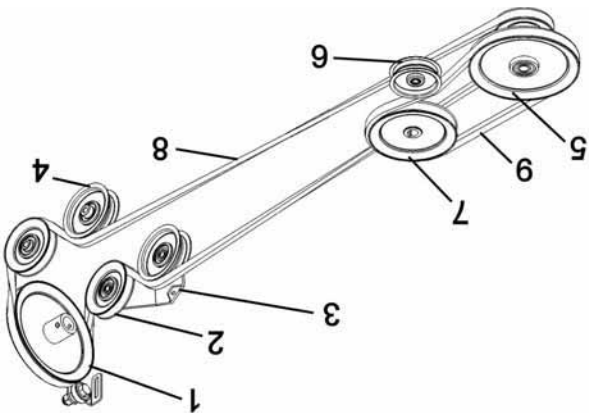
Distance entre les anneaux

ENTRETIEN

INSTALLATION, AJUSTEMENT ET REMPLACEMENT DES COURROIES:

COURROIE DE LA SOUFFLEUSE:

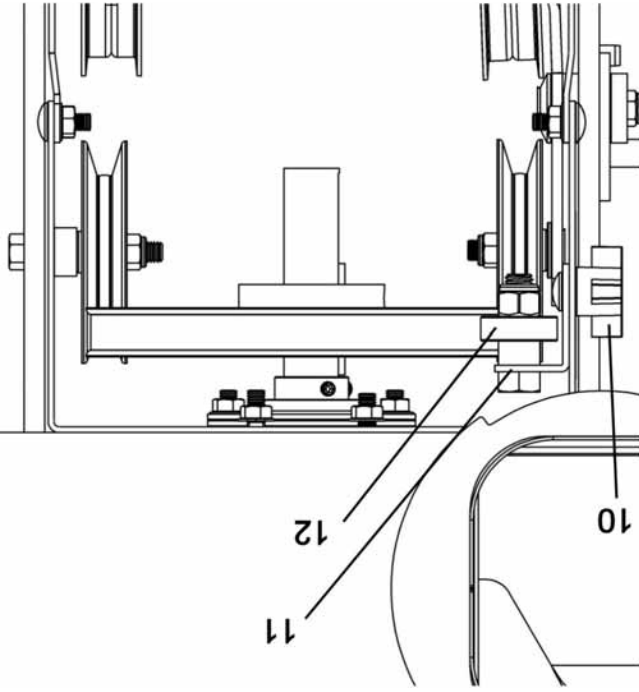
- a) Abaisser la souffeuse au sol.
- b) Enlever le garde courroie
- c) Desserer le bouton (item 10) de la fixation du roulement à billes (item 11).
- d) Installer la courroie tel qu'illustrée.



- Item 1: Poulie de la souffeuse
- Item 2: Poulie en V
- Item 3: Bras de tension
- Item 4: Poulie plate
- Item 5: Poulie de mécanisme d'entraînement
- Item 6: Poulie plate
- Item 7: Poulie du moteur
- Item 8: Courroie de la souffeuse
- Item 9: Courroie du mécanisme d'entraînement

Installation de la courroie

- e) Ajuster la fixation du roulement à billes (item 11) sur la courroie. Pousser sur le roulement (item 12) pour appliquer une légère pression sur le dos de la courroie (juste assez pour tenir la courroie en place). Il est normale que le roulement soit décentré (vers l'arrière de la souffeuse) sur la poulie. Assurez-vous que le roulement ne vient pas en contact avec la paroi de la poulie. Serrer le bouton (item 10) fermement.



Positionner la fixation du roulement à billes

ENTRETIEN

ENTRETIEN DU RACLOIR

Vérifier de temps en temps l'usure du racloir pour vous assurer de ne pas user la base du châssis de la souffreuse. Ce racloir est réversible. Tout ce que vous avez à faire est de dévisser les boulons et tourner le racloir de l'autre côté. Réinstaller et serrer fermement les boulons.

RÉEMPLACEMENT DES BOULONS DE SÉCURITÉ DES VIS ET DE L'ÉVENTAIL

Les boulons de sécurité sont une mesure préventive et ne doivent pas être considérés comme une protection certaine. La vigilance de l'opérateur est requise. Faites une inspection complète de l'endroit où la souffreuse sera utilisée et enlevez tout objet étranger.

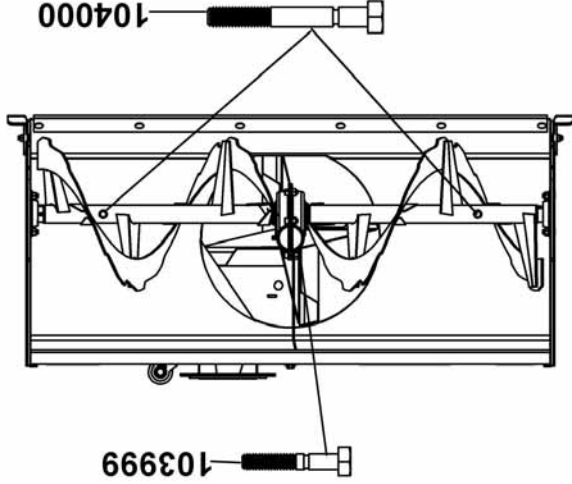
Pour éviter des dommages à la souffreuse:

Utiliser seulement les boulons de sécurité originaux (munis d'une rainure).

#104000 sac de 10 pour la vis.

#103999 sac de 10 pour l'éventail.

L'utilisation de tout autre boulon de sécurité n'assure aucune protection et pourrait entraîner l'annulation de la garantie.



ENTREPOSAGE DE FIN DE SAISON

a) Nettoyez votre souffreuse et sous-châssis et peignez toutes les pièces dont la peinture est usée.

b) Notez les pièces à remplacer dont vous aurez besoin pour la prochaine saison.

c) Entrezposez la souffreuse et le sous-châssis dans un endroit sec.

d) Suivez les instructions dans la section Lubrification.

POUR PRÉVENIR DES BLESSURES:
Arrêtez le moteur.
Appliquez le frein de stationnement.
Enlevez la clé du contact.
Débranchez le fil de la ou des bougie(s) et gardez-le éloigné de la ou des bougie(s) pour prévenir un démarrage accidentel.



ATTENTION



ENTRETIEN

a) Vérifiez les boulons de montage fréquemment afin de prévenir une réparation coûteuse. Assurez-vous que votre souffreuse est en condition de travailler sécuritairement.
b) Pourvoir un blocage adéquat avant de travailler en dessous de la souffreuse lorsqu'elle est en position relevée.

AJUSTEMENTS

AJUSTEMENT DES PATINS

Surface pavée: Ajuster les patins pour obtenir de 3/16" à 1/4" de dégagement entre le racloir et la surface.

Surface inégale ou de gravier: Ajuster les patins pour obtenir de 1/2" à 5/8" de dégagement entre le racloir et la surface.

LUBRIFICATION

Lubrifier tous les points pivotants.

Rotation de la goulotte:

Huiliez la base de la goulotte, et la spirale de rotation lorsque nécessaire.

Boîte d'engrenage:

Vérifier le niveau d'huile annuellement. Si nécessaire, ajoutez de l'huile AGMA 5 EP ou SAE 90.

La boîte d'engrenage doit contenir 155 ml d'huile ou doit être rempli jusqu'au rebord du trou pour le boulon lorsqu'elle est installée sur la souffreuse.

NETTOYAGE D'UNE GOULOTTE

OBSTRUÉE:

Le contact des mains avec l'éventail par l'intérieur de la goulotte est la cause la plus commune d'accidents associés aux souffreuses à neige. Ne jamais utiliser les mains pour nettoyer la goulotte.

Pour dégager la goulotte:

1. Abaissez la souffreuse au sol et appliquez le frein.
2. ARRÊTER LE MOTEUR ET ENLEVER LA CLÉ!

3. Attendre 10 secondes pour vous assurer que **toutes les pièces rotatives** tel que les pales de l'éventail ont arrêtés de tourner.

4. Débranchez le fil de la ou des bougie(s) et gardez-le éloigné de la ou des bougie(s) afin de prévenir des démarrages accidentels.

5. Toujours utiliser un outil de nettoyage d'une longueur minimum de 36", PAS VOS MAINS.

OPÉRATION

OPÉRATION DE LA SOUFFLEUSE

- Assurez-vous que la souffeuse est libre de neige avant de démarrer le moteur.
- Assurez-vous que la vis et l'éventail tournent librement.
- Démarez le moteur du tracteur.
- Avant d'embrayer la souffeuse, le moteur doit tourner à moyen régime.
- Opérez la souffeuse à régime maximum.

IMPORTANT: UTILISEZ LE RÉGIME MOTEUR MAXIMUM DU MOTEUR LORS DE L'ENLÈVEMENT DE NEIGE MOULÉE OU COLLANTE. UN RÉGIME MOTEUR TROP BAS AURA TENDANCE À FAIRE OBSTRUER LA GOULOTTE.

CONTRÔLES

ROTATION DE LA GOULOTTE

La manivelle de rotation de la goulotte est située à la gauche du volant. En tournant la manivelle dans le sens horaire, la goulotte tourne dans le sens horaire (direction des aiguilles d'une montre) ou vice versa.

DÉFLECTEUR DE LA GOULOTTE

Régler l'angle du déflecteur selon la distance à laquelle la neige doit être projetée et pour prévenir des dommages à la propriété. Pour changer l'angle du déflecteur, desserrer les deux boutons du déflecteur, ajuster le déflecteur à l'angle approprié et resserrer les deux boutons fermement.

ENLÈVEMENT DE LA NEIGE

Lors de l'enlèvement de la neige, n'utilisez pas la souffeuse comme une lame pour pousser la neige. Laissez la souffeuse avancer par elle-même dans les gros amoncellements de neige. Si la vitesse du tracteur est trop grande, la souffeuse peut devenir surchargée et se boucher. Pour de meilleurs résultats, levez la souffeuse et enlevez la couche de neige supérieure. Une seconde passe avec la souffeuse enlèvera le reste de la neige.

ATTENTION

-N'essayez pas de dégager l'éventail, la vis ou la goulotte bouchée de neige lorsque le moteur du tracteur est en marche.
-Débrayez la souffeuse.
-Abaissez la souffeuse au sol.
-Appliquez le frein de stationnement.
-Arrêtez le moteur, enlevez la clé du contact, débranchez le fil de la ou les bougie(s) et gardez-le éloigné de la ou des bougie(s) pour prévenir un démarrage accidentel.
-Assurez-vous que toutes les pièces mobiles sont arrêtées.
-N'utilisez pas vos mains, utilisez un morceau de bois de 36" (924 mm) de longueur minimum.

ATTENTION

Lisez le manuel de l'opérateur du tracteur attentivement. Familiarisez-vous avec les contrôles et la façon de bien utiliser l'accessoire. Sachez comment arrêter l'accessoire et dégager les contrôles rapidement.

ATTENTION

POUR PRÉVENIR DES BLESSURES & OBTENIR UNE MEILLEURE TRACTION LORS DE L'UTILISATION DE L'ACCESSOIRE:
-Des contrepoids arrière, minimum de 100 lb sont requis afin de contrebalancer le poids de l'accessoire.
-Chânes à pneus approuvés par le fabricant du tracteur sont requis.
-Ne pas opérer dans une pente de plus de 10°.
-Lors du démontage de l'accessoire, enlevez les contrepoids arrière.

ASSEMBLAGE

Insérer la poignée (item 1) sur la manivelle tel qu'illustré.

Insérer le crochet de manivelle (item 2) dans la manivelle et sécuriser avec une goupille à ressort 2,5 mm (item 3) tel qu'illustré.

Note: Remiser ces pièces jusqu'au moment de l'installation de la souffeuse.

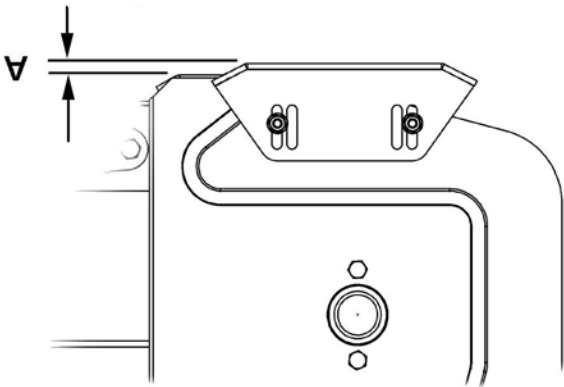


Préparer la manivelle

VÉRIFIER L'AJUSTEMENT DES PATINS:

SURFACE PAVÉE: Ajuster les patins pour obtenir de 3/16" à 1/4" de dégagement (A) entre le racloir et la surface.

SURFACE INÉGALE OU DE GRAVIER: Ajuster les patins pour obtenir de 1/2" à 5/8" de dégagement (A) entre le racloir et la surface.



Ajuster les patins

VÉRIFIER LA PRESSION DES PNEUS:

Vérifier et régler la pression des pneus comme suit:

Pneus avant: 14-15 psi
Pneus arrière: 7-8 psi

La pression des pneus doit être égale des deux côtés du tracteur.

ASSEMBLAGE

ÉTAPE 2

INSTALLATION DE LA SOUFFLEUSE:

Référez-vous à la section nomenclature des pièces pour leur identification.

ATTENTION

POUR PRÉVENIR DES BLESSURES:

Arrêtez le moteur.
 Appliquez le frein de stationnement.
 Enlevez la clé du contact.
 Débranchez le fil de la ou des bougie(s) et gardez-le éloigné de la ou des bougie(s) pour prévenir un démarrage accidentel.

Attacher la souffeuse au sous-châssis tel qu'illustré.

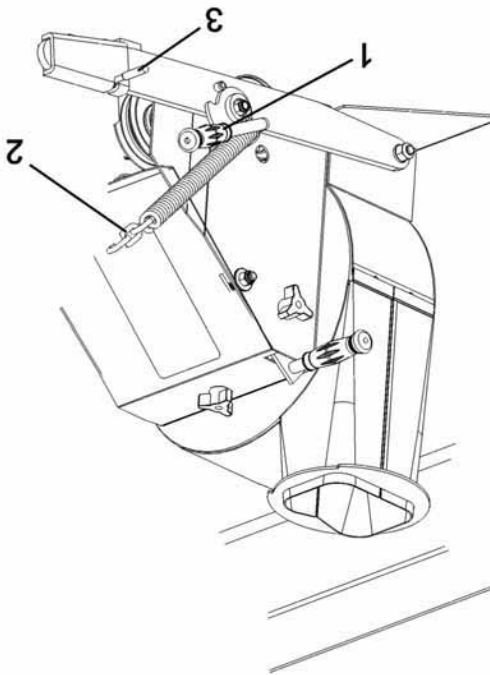
Assurez-vous que la souffeuse est bien insérée jusqu'à ce que les ressorts (item 3) la bloque bien en place.

Lever la souffeuse.

Tourner le bras de tension (item 1) vers l'arrière et installer la chaîne (item 2) sur le crochet (si le sous-châssis en équipé).

Tourner le bras de tension vers l'avant pour appliquer de la tension sur le ressort.

Abaisser la souffeuse.



Installer la souffeuse et le ressort d'assistance au relevage.

PRÉCAUTIONS

Le bras de tension de la courroie et du ressort d'assistance au relevage doivent être tenu fermement lorsque vous déplacez le bras afin de prévenir des blessures.

NOTE: Voir les instructions d'installation pour les courroies dans la section "Entretien".

POUR PRÉVENIR LES BLESSURES:
 C'est la responsabilité de la personne qui effectue l'installation du mécanisme d'entraînement de s'assurer que lorsqu'on débraye l'embrayage toutes les pièces mobiles s'arrêtent.
 Pour de plus amples informations, n'hésitez pas à contacter le support technique.

ATTENTION

PRÉCAUTIONS

Ne jamais utiliser la souffeuse sans le garde-courroie.

ASSEMBLAGE

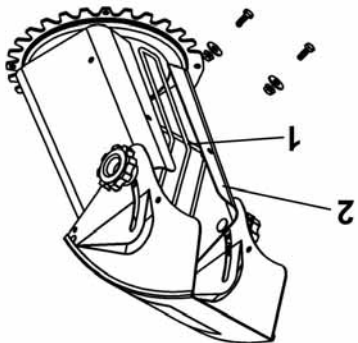
ÉTAPE 1

PRÉPARATION DE LA SOUFFLEUSE:

Installer la fourche protectrice (item 1) dans la goulotte (item 2) tel qu'illustré.

Sécuriser en place avec deux boulons hex 1/4 x 3/4", deux rondelles plates et deux écrous à bride 1/4" à l'intérieur.

Serrer fermement.



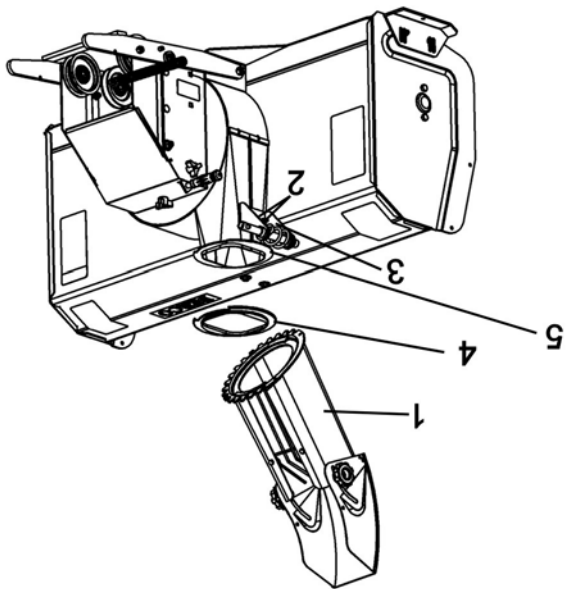
Installer la fourche protectrice

Avant d'installer la goulotte (item 1), dévisser les deux écrous à bride (item 2) (jusqu'au dernier filet) qui retiennent le mécanisme de rotation (item 3).

Installer l'anneau de rotation (item 4) sur l'ouverture (item 5) tel qu'illustré et aligner les encoches.

Placer la goulotte (item 1) (face vers l'arrière), accrocher l'arrière sous l'anneau de rotation et tourner la goulotte vers l'avant pour la bloquer en place.

Réinstaller le système de rotation en serrant les écrous à brides fermement.



Installer la goulotte

DÉCALQUES DE SÉCURITÉ

REMPLACER SI LES DÉCALQUES SONT ENDOMMAGÉS
VOIR LA NOMENCLATURE POUR L'EMPLACEMENT DES DÉCALQUES

Décalque # 102127



Décalque # 102128



Décalque # 103951



Décalque # 102124



Décalque # 102125



Décalque # 102126



PRÉCAUTIONS SÉCURITAIRES

OPÉRATION:

1. Ne mettez jamais vos mains ou pieds près, sous ou à l'intérieur des pièces rotatives.
2. Soyez prudent lorsque vous êtes sur ou que vous traversez les entrées en gravier, trottoirs, ou chemins. Redoublez de vigilance face aux dangers cachés ou au trafic. Ne transporter jamais de passager.
3. Après avoir heurté un objet étranger, arrêtez le moteur, débranchez le fil de la ou des bougie(s) et gardez-le éloigné de la ou des bougie(s) pour prévenir un démarrage accidentel (si applicable au véhicule et à l'accessoire). Inspectez l'accessoire pour tout dommage et réparez-le avant de redémarrer et d'utiliser l'accessoire.
4. Si l'unité commence à vibrer anormalement, arrêtez le moteur et vérifiez la cause immédiatement. Les vibrations sont généralement signe de problèmes.
5. Prenez toutes les précautions nécessaires lorsque vous quittez votre véhicule: abaissez et débrayez l'accessoire, placez la transmission en position neutre, appliquez le frein de stationnement, arrêtez le moteur et enlevez la clé d'ignition.
6. Ne faites pas tourner le moteur à l'intérieur, excepté pour démarrer, entrer ou sortir du bâtiment. Ne pas opérer ou faire tourner le moteur dans un endroit sans ventilation car l'essence contient du monoxyde de carbone qui est sans odeur, sans couleur et peut causer la mort.
7. Ne jamais nettoyer la neige sur la façade d'une pente; aller de haut en bas. Soyez extrêmement prudent quand vous opérez l'équipement dans une pente. Ne pas tenter de déblayer une pente abrupte.
8. Ne jamais utiliser l'accessoire sans que les écrans protecteurs et les dispositifs de sûreté soient bien en place.
9. Ne tolérer jamais personne dans la zone de travail. Ne jamais utiliser l'accessoire en direction des gens, il peut projeter des cailloux, des débris qui peuvent blesser les gens ou endommager les biens.
10. Ne jamais opérer l'accessoire à haute vitesse sur les surfaces glacées. Regarder vers l'arrière et soyez prudent lorsque vous reculez.
11. Ne jamais transporter de passager.
12. Débrayez le pouvoir de l'accessoire lorsqu'il doit être transporté ou qu'il n'est pas utilisé.

ENTRETIEN ET ENTREPOSAGE:

1. Lorsque vous nettoyez, dégagez réparez ou inspectez le véhicule et l'accessoire soyez assuré que toutes les pièces rotatives sont arrêtées. Débranchez le fil de la ou des bougie(s) et gardez-le éloigné de la ou des bougie(s) afin de prévenir des démarrages accidentels.
2. Vérifiez tous les boulons à intervalles fréquents pour s'assurer qu'ils soient bien serrés et que l'accessoire soit en mesure de fonctionner sécuritairement.
3. Ne jamais entreposer un accessoire motorisé avec de l'essence dans le réservoir à l'intérieur d'une bâtisse où il y a des sources d'ignition comme des réservoirs d'eau chaude, sècheuses, source de chaleur, etc... Laisser refroidir le moteur avant de l'entreposer à l'intérieur.
4. Toujours se référer au manuel du propriétaire concerné lorsque vous entreposez l'accessoire et le véhicule pour une période prolongée ou indéterminée.
5. Maintenir ou remplacez les décalques de sécurité et d'instructions au besoin.
6. Pour les accessoires hivernaux, faire tourner l'accessoire (si applicable) pendant quelques minutes après avoir déblayé la neige pour prévenir le gel des pièces rotatives.
7. Inspectez le filtre à air du véhicule et de l'accessoire chaque jour. Nettoyez-le ou remplacez-le au besoin. Changez l'huile plus fréquemment lorsque vous travaillez dans des conditions poussiéreuses. Voir le manuel du propriétaire du véhicule et de l'accessoire.

LORSQUE VOUS VOYEZ CE SYMBOLE



CELA SIGNIFIE:

ATTENTION!
VOYRE SÉCURITÉ EST EN CAUSE!

PRÉCAUTIONS SÉCURITAIRES

Une opération prudente est votre meilleure assurance contre un accident. Lisez cette section attentivement avant d'opérer le véhicule et l'accessoire. Cet accessoire a la capacité d'amputer mains, pieds ou projeter des objets étrangers. Ne pas respecter les instructions de sécurité suivantes peut entraîner de sérieuses blessures. Tous les opérateurs, peu importe leur expérience, devraient lire ce manuel et tout autre manuel relatif au véhicule et à l'accessoire avant l'opération. C'est l'obligation légale du propriétaire d'enseigner à tous les opérateurs comment utiliser l'accessoire d'une façon sécuritaire.

LEXIQUE:

Dans ce manuel, le côté droit et le côté gauche sont déterminés en étant assis sur le siège du véhicule et regardant vers l'avant.

Dans ce manuel, "accessoire" veut dire instrument (souffleuse, balai rotatif, lame, etc.) que vous pouvez installer sur le véhicule (tracteur de pelouse, V.T.T. etc.).

FORMATION:

Ce symbole d'avertissement sécuritaire est utilisé partout dans ce manuel et sur les décalques de sécurité des accessoires pour vous aviser des possibilités de blessures sérieuses. S.V.P. portez une attention particulière à la lecture et à la compréhension des précautions sécuritaires avant d'opérer l'accessoire ou le véhicule.



1. Lisez ce Manuel du Propriétaire attentivement. Soyez complètement familier avec les contrôles et l'utilisation de l'accessoire. Sachez comment arrêter l'unité et débrayer les contrôles rapidement.

2. Ne permettez jamais à un enfant d'opérer l'accessoire ni le véhicule. Ne permettez jamais à un adulte d'opérer l'accessoire ni le véhicule sans qu'il ait la formation nécessaire.

3. Ne pas opérer l'accessoire ni le véhicule si vous êtes sous l'influence de l'alcool, des drogues ou médicaments. Ceux-ci affaiblissent les facultés et diminuent le temps de réaction.

4. Gardez l'endroit d'opération libre de toute personne, particulièrement de jeunes enfants ou animaux domestiques.

PRÉPARATION:

1. Faites une inspection complète de l'endroit où l'accessoire va être utilisée et enlevez les essuie-pieds et tout autre objet étranger.

2. Pour les accessoires motorisés, débrayez tous les embrayages et passer au neutre avant de démarrer le moteur de l'accessoire.

3. Ne jamais opérer l'accessoire sans porter des vêtements d'hiver adéquats. Éviter les vêtements et accessoires amples qui pourraient se prendre dans les pièces rotatives. Portez des chaussures anti-dérapantes qui vont vous aider à garder l'équilibre sur les surfaces glacées.

8. Ne jamais modifier l'accessoire ou les pièces sans le consentement écrit du manufacturier.

7. Toujours porter des lunettes de sécurité durant l'opération, lorsque vous procédez à des ajustements ou des réparations afin de protéger les yeux de tout objet qui pourrait être projeté par l'accessoire.

6. Laissez l'accessoire et le véhicule s'ajuster à la température extérieure avant de commencer à débayer la neige.

5. Ne faites aucun ajustement lorsque le moteur est en marche (excepté quand cela est recommandé par le manufacturier).

g) Fermez le couvercle du réservoir fermement et essuyez les éclaboussures.

f) Gardez le bec verseur en contact avec le rebords du réservoir d'essence ou de l'ouverture remplissage complet. Ne pas utiliser un dispositif de serrure ouvert sur le bec verseur.

e) Lorsque possible, enlevez les équipements à votre véhicule avant le remplissage.

d) Ne jamais remplir les contenants à l'intérieur d'un véhicule ou sur un camion ou sur un camion plateforme avec une doublure de caisse. Toujours placer les contenants sur le sol loin de

c) Remplissez le réservoir à essence à l'extérieur avec extrême prudence. Ne jamais remplir le réservoir à l'intérieur.

b) Utilisez un contenant à essence approuvé. Ne jamais ajouter de l'essence quand le moteur est chaud ou en marche.

a) Manipulez l'essence avec précaution (si applicable), il est extrêmement inflammable.

_____ _____	DATE D'ACHAT: NUMÉRO DE SÉRIE:
----------------	---

**Ce manuel devrait être conservé pour référence future.
S.V.P. Vérifier si vous avez reçu toutes les pièces de votre ensemble avec la
liste du sac et liste de la boîte.**

Si des réparations sur garantie sont nécessaires, veuillez présenter ce livret d'enregistrement et la facture de vente originale à votre concessionnaire.

Notez le numéro de série avec la date d'achat de votre accessoire dans la section réservée ci-dessous. Votre détaillant exige cette information afin d'assurer un service rapide et efficace lorsque des pièces de rechange sont à commander. Remplacez les pièces défectueuses par des pièces d'origine seulement.

PRÉCAUTION: Signifie un danger qui peut causer des blessures mineures si les précautions recommandées ne sont pas respectées.

ATTENTION: Signifie un danger qui peut causer des blessures graves ou même la mort, si les précautions recommandées ne sont pas respectées.

DANGER: Signifie un danger extrême qui causera des blessures graves ou même la mort, si les précautions recommandées ne sont pas respectées.

DANS CE MANUEL, CE SYMBOLE D'AVERTISSEMENT SÉCURITAIRE IDENTIFIE UN MESSAGE DE SÉCURITÉ IMPORTANT QUI VOUS AIDERA AINSI QUE TOUTE AUTRE PERSONNE À ÉVITER DES BLESSURES GRAVES ET MÊME LA MORT. DANGER, ATTENTION, PRÉCAUTION SONT DES MOTS D'AVERTISSEMENT POUR IDENTIFIER LES NIVEAUX DE DANGER. TOUJOURS, SOYEZ TOUJOURS EXTRÊMEMENT PRUDENT.



Familiarisez-vous avec les recommandations de sécurité et les procédures d'utilisation avant d'utiliser l'accessoire. Lisez et suivez attentivement ces recommandations et insistez pour qu'elles soient suivies par ceux qui se serviront de l'accessoire avec vous.

NOTE: Toutes les photographies et illustrations de ce manuel peuvent ne pas être du modèle ou de l'accessoire en main et ne sont présentées qu'à titre de référence. Elles sont basées sur les dernières informations disponibles lors de la publication.

Ce nouvel accessoire a été soigneusement conçu pour vous donner plusieurs années de bons services. Ce manuel a pour but de vous aider à utiliser prudemment votre accessoire.

À L'ACHETEUR

INTRODUCTION

TABLE DES MATIÈRES

2	INTRODUCTION	2
3	PRÉCAUTIONS SÉCURITAIRES	3
5	DÉCALQUES DE SÉCURITÉ	5
6	ASSEMBLAGE	6
6	Étape 1: Préparation de la souffeuse	6
7	Étape 2: Installation de la souffeuse	7
9	OPÉRATION	9
9	Opération de la souffeuse	9
9	Contrôles	9
9	Enlèvement de la neige	9
10	ENTRETIEN	10
10	Entretien	10
10	Ajustements	10
10	Lubrification	10
10	Nettoyage d'un goulotte obstruée	10
10	Entretien du racloir	10
10	Remplacement des boulons de sécurité de la vis et de l'éventail	10
10	Entreposage de fin de saison	10
11	Installation, ajustement et remplacement de la courroie	11
13	DÉMONTAGE	13
13	Démontage de la souffeuse	13
14	DÉPANNAGE	14
16	OPTIONS & ACCESSOIRES	16
16	RÉFÉREZ-VOUS À LA SECTION ANGLAISE POUR	
16	NOMENCLATURE ET LISTE DES PIÈCES	
16	Goulotte	16
18	Souffeuse	18
22	TABLE DE SPÉCIFICATIONS DE COUPLE	22

GARANTIE LIMITÉE

Couverture des Produits et Conditions

BERCOMAC garantit toute pièce ou accessoire fabriqué par BERCOMAC et trouvé, selon la discrétion raisonnable de BERCOMAC, être défectueux en matériel ou dans sa fabrication, sera réparé, remplacé ou ajusté par un marchand autorisé sans frais, jusqu'à concurrence maximale du taux horaire et du temps de réparation pré-établi. Pour le remplacement des pièces, seuls les frais de transport mode régulier sont couverts. Cette garantie est valide pour le premier propriétaire et ne peut être transférée à un autre propriétaire. La période de garantie débute à la date d'achat au détail.

Période de Garantie

(à partir de la date d'achat au détail):

- Usage Résidentiel: 1 an
- Location ou usage commercial: 90 jours

voir exception:

Les items suivants sont garanties par le manufacturier d'origine et ont leurs propres conditions et durée limitée.

- Chaînes à pneus: 90 jours
 - Moteurs fournis avec les équipements BERCOMAC : 2 ans
- Veillez vous référer à la garantie du manufacturier incluse avec l'unité. Bercomac n'est pas autorisé à agir concernant les garanties d'ajustement des moteurs.

Conditions et Items Non Couverts:

Cette garantie n'inclut pas ce qui suit:

- Frais pour ramassage, de livraison, ou service à domicile.
 - N'importe quel dommage ou détérioration de la marchandise, pièce ou finition due à l'utilisation normale, l'usure, bris et déchirure, ou l'exposition.
 - Frais relatifs à l'usage et à la maintenance régulière tels que lubrifiants, gazoline, huile, pièces de mise au point et ajustements.
 - N'importe quel pièce ou accessoire qui a été altéré, modifié, négligé, brisé accidentellement, mal installé, mal entretenu, remis ou réparé non conformément aux instructions dans le manuel du propriétaire.
 - N'importe quelle réparation due à l'usure normale des pièces tel que les goupilles de sécurité, boulons, courroies, etc.
 - Frais de transport en mode accéléré pour pièces de remplacement.
 - Boulons et goupilles de sécurité sont considérés comme une mesure préventive et ne sont pas une protection assurée. Tout dommage provenant d'un non fonctionnement n'est pas couvert.
- Note: Tout travail effectué sur garantie doit être exécuté par un marchand autorisé BERCOMAC utilisant des pièces de remplacement d'origine.

Note: BERCOMAC se réserve le droit de changer ou améliorer la conception de toute pièce et / ou accessoire sans assumer aucune

obligation à modifier les produits fabriqués auparavant.

Instructions pour Obtenir le Service sur Garantie

Contactez le marchand où vous avez acheté le produit ou tout autre marchand de service BERCOMAC pour fixer un rendez-vous à leur atelier. Pour localiser un marchand de votre choix, visiter notre site web au www.bercomac.com. Apporter le produit et votre preuve d'achat (facture) chez votre marchand de service BERCOMAC.

Responsabilité du Propriétaire

Tous les produits ou pièces défectueuses BERCOMAC doivent être retournés chez un marchand de service autorisé à l'intérieur de la période de garantie, pour réparation. Dans le cas où la marchandise doit être retournée au manufacturier pour réparation, le marchand doit d'abord obtenir une autorisation écrite de BERCOMAC, frais de transport payé d'avance. Cette garantie s'étend uniquement à l'équipement qui est opéré sous condition normale. Pour qu'une réclamation soit valide, l'opérateur a la responsabilité d'entretenir et d'effectuer les routines de maintenance tel que spécifiée dans le manuel du propriétaire ou de les faire effectuer chez un marchand autorisé à ses frais.

Conditions Générales

L'engagement exclusif de BERCOMAC en regard de cette garantie s'arrête à la réparation et au remplacement tel que mentionné ci-dessus. BERCOMAC ne doit avoir aucune responsabilité pour aucun autre frais perte ou dommage incluant mais sans se limiter aucun dommage résultant de la perte ou de la responsabilité de BERCOMAC n'a aucun engagement ou responsabilité pour:

- Temps pour transport, surtemps, temps après les heures d'ouverture ou autre frais extraordinaires de réparation ou charges relatives aux réparations ou remplacement en dehors des heures normales de travail.
- Location d'équipement de remplacement similaire durant la période de garantie, réparation ou remplacement des travaux.
- N'importe quel frais téléphonique ou télégramme ou frais de transport.
- Perte ou dommage à une personne ou propriété autre que ceux couverts par les termes de cette garantie.
- N'importe quelle réclamation pour perte de revenus, perte de profits ou coûts additionnels résultant d'une réclamation d'un bris de garantie.
- Frais juridiques.

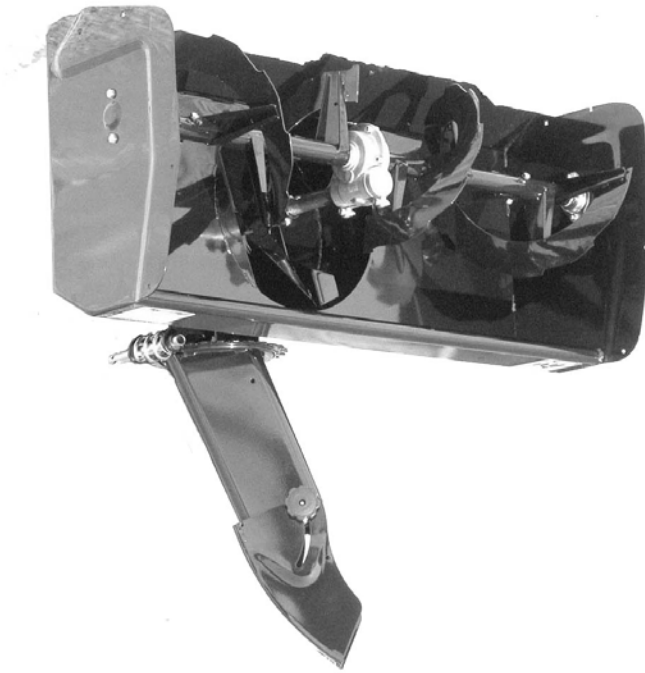
La responsabilité de BERCOMAC, en respect de la présente, se limite à couvrir la réparation et les pièces de remplacement et aucune réclamation d'un bris de garantie doit être la cause pour annulation ou résiliation de contrat de vente pour n'importe quel pièce ou accessoire.

Cette garantie vous donne des droits légaux spécifiques et vous pouvez également avoir d'autres droits qui varient d'état en état.

ATTENTION:
LIRE & SUIVRE TOUTES LES RÈGLES DE SÉCURITÉ & INSTRUCTIONS
AVANT D'UTILISER CET ÉQUIPEMENT

* ASSEMBLAGE * OPÉRATION
* PIÈCES DE RÉPARATION * ENTRETIEN

BERCO
Souffleuse Nordet Deux Phases 44" & 48"
pour
TRACTEURS DE COUR, PELOUSE ET JARDIN



700378-1

700374-1

MANUEL DU PROPRIÉTAIRE
Modèle Numéro

