



## OWNER'S MANUAL

### *Model Number*

700434 Subframe

700435 Compact Drive Mechanism

700436 Northeast Drive Mechanism



***Berco***  
***Subframe & Drive Mechanism***  
for  
***BOLENS, COLUMBIA, CUB CADET, TORO,***  
***TROY-BILT, WHITE, YARD MACHINE & YARD MAN***  
***tractors***

\* ASSEMBLY  
\* OPERATION

\* REPAIR PARTS  
\* MAINTENANCE

### **CAUTION:**

**READ & FOLLOW ALL SAFETY RULES & INSTRUCTIONS BEFORE  
OPERATING YOUR EQUIPMENT**

# LIMITED WARRANTY

## Conditions and Products Covered:

BERCOMAC guarantees any part of the product or accessory manufactured by BERCOMAC and found in the reasonable judgment of BERCOMAC to be defective in material and or workmanship will be repaired or replaced by an authorized dealer without charge up to our maximum labor rates and pre-established times. For replacement parts only standard ground freight services are covered. This warranty extends to the original retail purchaser only and is not transferable to any subsequent purchasers.

## Warranty Period

(from date of the original retail purchase):

- Residential use: 1 year
- Commercial or rental use: 90 days

**Exceptions Noted Below:** the following items are guaranteed by the original manufacturer and have their own warranty, conditions and limited time:

- Tire Chains: 90 days
- Engines (supplied with BERCOMAC equipment): 2 years

Please refer to the engine manufacturer's warranty statement included with the unit. BERCOMAC is not authorized to handle warranty adjustments on engines.

## Items and Conditions NOT Covered:

This warranty does not cover the following:

- Pick-up or delivery charges or in-home services fees.
- Any damage or deterioration of the unit, parts and or finish of these due to normal use, wear and tear, or exposure.
- Cost of regular use or maintenance service or parts, such as gas, oil, lubricants, tune-up parts, and adjustments.
- Any part or accessory which has been altered, modified, misused, neglected, accidentally damaged or not properly installed, maintained, stored or repaired not in accordance with the instructions in the owner's manual.
- Repair due to normal wear and or any wear items such as shear pins, bolts, belts, etc.
- Expedited freight fee services for replacement parts.
- Shear bolts and shear pins are to be considered as a preventive measure not as an assured protection, any damages resulting from the lack of shear bolts breakage are not covered.

NOTE: All warranty work must be performed by an authorized dealer using original (manufacturer) replacement parts.

**Note:** Bercomac reserves the right to change or improve the design of any part or accessory without assuming any obligation to modify any product previously manufactured.

## Instructions for Obtaining Warranty Services:

Contact dealer where equipment was purchased or any other BERCOMAC Service Dealer to arrange service at their dealership. To locate a dealer convenient to you, access our website at [www.bercomac.com](http://www.bercomac.com).

Bring the product and your proof of purchase (sales receipt) to the BERCOMAC dealer.

## Owner's Responsibilities:

BERCOMAC's defective equipment or part must be returned to an authorized dealer within the warranty period for repairs. In the event that defective merchandise must be returned to manufacturer for repairs, freight fees are prepaid and a written authorization from BERCOMAC must be obtained by dealer prior to the shipment. This warranty extends only to equipment operated under normal conditions. To validate a warranty claim, it is the user's responsibility to maintain and service the unit as specified in the owner's manual at their expense.

## General Conditions:

The sole liability of BERCOMAC with respect to this warranty shall be strictly and exclusively repair and replacement as mentioned herein. BERCOMAC shall not have any liability for any other costs, loss or damage, including but not limited to, any incidental or consequential loss or damage.

In particular, without being limited to, BERCOMAC shall have no liability or responsibility for:

- Travel time, overtime, after hours time or other extraordinary repair charges or relating to repairs and or replacements outside of normal business hours.
- Rental of like or similar replacement equipment during the period of any, repair or replacement work.
- Any communicating or travel charges.
- Loss or damage to person or property other than that covered by the terms of this warranty.
- Any claims for lost revenue, lost profit or any similar costs as a result of damage or repair.
- Attorney's fees.

BERCOMAC's responsibility in respect to claims is limited to making the required repairs or replacement without charge up to our maximum labor rates and pre-established times and no claim of breach of warranty shall be cause for cancellation or rescission of the contract of sale of any product or accessory.

This warranty gives you specific legal rights. You may also have other rights, which vary from state to state.

# TABLE OF CONTENTS

	PAGE
INTRODUCTION .....	2
SAFETY PRECAUTIONS .....	3
ASSEMBLY	
Step 1: Tractor Preparation .....	5
Step 2: Subframe Installation .....	6
Step 3: Drive Mechanism Preparation .....	10
Step 4: Drive Mechanism Installation .....	12
Step 5: Snowblower Installation .....	13
Rotary Broom Installation .....	15
Blade Installation .....	17
MAINTENANCE & DISMOUNTING	
Maintenance .....	18
Drive Mechanism Dismounting .....	18
Belt Replacement .....	18
End of Season Storage .....	18
TORQUE SPECIFICATION TABLE .....	19
PARTS BREAKDOWN AND LISTS	
Compact Drive Mechanism .....	20
Northeast Drive Mechanism .....	22
Subframe .....	24
ATTACHMENTS .....	26
TROUBLESHOOTING	
See attachment owner's manual for this section. (Snowblower, Blade, Rotary Broom)	

# INTRODUCTION

## TO THE PURCHASER

This new attachment was carefully designed to give years of dependable service. This manual has been provided to assist in the safe operation and servicing of your attachment.

**NOTE:** All photographs and illustrations in the manual may not necessarily depict the actual models or attachment, but are intended for reference only and are based on the latest product information available at the time of publication.

Familiarize yourself fully with the safety recommendations and operating procedures before putting the machine to use. Carefully read, understand and follow these recommendations and insist that they be followed by those who will use this attachment.



**THIS SAFETY ALERT SYMBOL IDENTIFIES AN IMPORTANT SAFETY MESSAGE IN THIS MANUAL THAT HELPS YOU AND OTHERS AVOID PERSONAL INJURY OR EVEN DEATH. DANGER, WARNING, AND CAUTION ARE SIGNAL WORDS USED TO IDENTIFY THE LEVEL OF HAZARD. HOWEVER, REGARDLESS OF THE HAZARD, BE EXTREMELY CAREFUL.**

**DANGER:** Signals an extreme hazard that will cause serious injury or death if recommended precautions are not followed.

**WARNING:** Signals a hazard that may cause serious injury or death if the recommended precautions are not followed.

**CAUTION:** Signals a hazard that may cause minor or moderate injury if the recommended precautions are not followed.

Record your attachment serial number and purchase date in the section reserved below (there is no serial number on the subframe). Your dealer requires this information to give you prompt, efficient service when ordering replacement parts. Use only genuine parts when replacements are required.

If warranty repairs are required please present this registration booklet and original sales invoice to your selling dealer for warranty service.

**This manual should be kept for future reference.**

**Please check if you have received all the parts for your kit with the list of the bag and the list of the box.**

**SERIAL NUMBER :** \_\_\_\_\_

**PURCHASE DATE :** \_\_\_\_\_

# SAFETY PRECAUTIONS

Careful operation is your best insurance against an accident. Read this section carefully before operating the vehicle and accessory. This accessory is capable of amputating hands and feet and throwing objects. Failure to observe the following safety instructions could result in serious injury. All operators, no matter how experienced they may be, should read this and other manuals related to the vehicle and accessory before operating. It is the owner's legal obligation to instruct all operators in safe operation of the accessory.

## **GLOSSARY:**

In this manual, right and left sides are determined by sitting on the seat of the vehicle facing forward.

In this manual, "accessories" means attachments (snowblower, rotary broom, blade etc.) that you install on the vehicle (lawn tractors, A.T.V. s etc).

## **TRAINING:**



This symbol, "Safety Alert Symbol", is used throughout this manual and on the accessory's safety labels to warn of the possibility of serious injury. Please take special care in reading and understanding the safety precautions before operating the vehicle and accessory.

1. Read this owner's manual carefully. Be thoroughly familiar with the controls and proper use of the vehicle and accessory. Know how to stop the unit and disengage the controls quickly.
2. Never allow children to operate the vehicle nor the accessory. Never allow adults to operate the vehicle nor the accessory without proper instructions.
3. No one should operate the vehicle nor the accessory while intoxicated or while taking medication that impairs the senses or reactions.
4. Keep the area of operation clear of all people, particularly small children and pets.

## **PREPARATION:**

1. Thoroughly inspect the area where the accessory is to be used and remove door mats, all foreign objects and the like.
2. For motorized accessories, disengage all clutches and shift into neutral before starting engine.
3. Do not operate the accessory without wearing adequate winter outer garments. Avoid loose fitting clothing that can get caught in moving parts. Wear footwear that will improve footing on slippery surfaces.

4. Handle fuel with care, it is highly flammable.
  - a) Use approved fuel container.
  - b) Never add fuel to a running engine or hot engine.
  - c) Fill fuel tank outdoors with extreme care. Never fill fuel tank indoors.
  - d) Never fill containers inside a vehicle, or on a truck or a trailer bed with a plastic liner. Always place containers on the ground, away from your vehicle, before filling.
  - e) When practical, remove gas-powered equipment from the truck or trailer and refuel it on the ground. If this is not possible, then refuel such equipment on a trailer with a portable container, rather than from a gasoline dispenser nozzle.
  - f) Keep the nozzle in contact with the rim of the fuel tank or container opening at all times, until refueling is complete. Do not use a nozzle lock-open device.
  - g) Replace fuel cap securely and wipe up spilled fuel.
  - h) If fuel is spilled on clothing, change clothing immediately.
5. Never attempt to make any adjustments while the engine (motor) is running (except when specifically recommended by manufacturer).
6. Let the vehicle and accessory adjust to outdoor temperatures before starting to clear snow.
7. Always wear safety glasses or eye shields during operation or while performing an adjustment or repairs to protect the eyes from foreign objects that may be thrown from the accessory.
8. **Never modify the accessory or any part without the written consent from the manufacturer.**

# SAFETY PRECAUTIONS

## OPERATION:

1. Do not put hands or feet near, under or inside rotating parts.
2. Exercise extreme caution when operating on or crossing gravel drives, walks or roads. Stay alert for hidden hazards or traffic. Do not carry passengers.
3. After striking a foreign object, stop the engine (motor), disconnect the wire from the spark plug(s) and keep wire away to prevent accidental starting. Thoroughly inspect the accessory for any damage and repair damage before restarting and using the accessory.
4. If the unit should start to vibrate abnormally, stop the engine (motor) and check immediately for the cause. Vibration is generally a warning of trouble.
5. Take all possible precautions when leaving the vehicle unattended. Disengage the power take-off, lower the attachment, place the transmission into neutral, set the parking brake, stop the engine and remove the contact key.
6. Do not run the engine indoors, except when starting the engine and for transporting in or out of the building. Do not operate or let motor run in a storage area without ventilation because gas contains carbon monoxide which is odorless, colorless and can cause death.
7. Never clean across the face of slopes, go from top to bottom. Exercise extreme caution when using equipment on slopes. Do not attempt to clear a steep slope.
8. Never use an accessory without proper guards, plates, or other safety protective devices in place
9. Never tolerate bystanders in the working zone. Never use an accessory in the direction of bystanders, it might throw gravel or debris that can hurt people or damage property.
10. Never operate the accessory at high transport speeds on slippery surfaces. Use care when backing up.
11. Do not carry passengers.
12. Disengage power to the accessory when it is transported or not in use.

13. Never operate the accessory without good visibility or light.
14. Keep the accessory away from heat sources or flames.
15. Always wear a dust mask when working in a dusty environment.

## MAINTENANCE AND STORAGE

1. When cleaning, repairing or inspecting the vehicle and accessory, make certain that all moving parts have stopped. Disconnect wire from the spark plug (s) and keep wire away to prevent accidental starting.
2. Check all the bolts at frequent intervals to make sure that they are properly tightened .
3. Never store a motorized accessory with fuel in the fuel tank inside a building where ignition sources are present such as hot water and space heaters, clothes dryers, and the like. Allow the engine to cool before storing in any enclosure.
4. Always refer to the owner's manual when you store the accessory and vehicle for a prolonged or an unspecified length of time.
5. Maintain or replace safety and instruction labels, as necessary.
6. For winter accessories, (if applicable), let the engine run for a few minutes after clean snow in order to prevent the rotary parts from freezing.
7. Inspect the vehicle's and accessory's air filter every day. Clean it or replace it as necessary. Change the oil more often when working in dusty conditions. See the vehicle's and accessory's owner's manual.

**WHENEVER YOU SEE THIS SYMBOL**



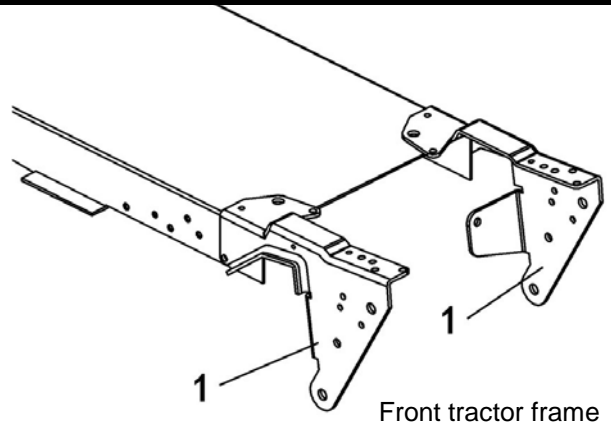
**IT MEANS:  
WARNING!  
BECOME ALERT !  
YOUR SAFETY IS INVOLVED!**

# ASSEMBLY

**IMPORTANT: TORQUE ALL BOLTS ACCORDING TO TORQUE SPECIFICATION TABLE (SEE TABLE OF CONTENTS) WHEN STATED: TIGHTEN FIRMLY. REFER TO PARTS BREAKDOWN SECTION FOR PARTS IDENTIFICATION.**

**NOTE: This subframe was designed to fit a tractor having the front frame shown (item 1, bolted supports).**

This subframe may be used to install different attachments (see attachments page). Once installed, it may remain permanently on the tractor. Before doing any modifications or installations on the tractor, open the tractor hood, disconnect the headlights and remove the hood. Disconnect the wire from the spark plug(s) and keep away from spark plug(s) to prevent accidental starting.



## STEP 1

### **TRACTOR PREPARATION:**

**NOTE:** It is not necessary to remove mower deck at this step.

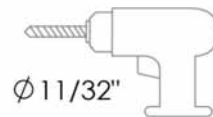
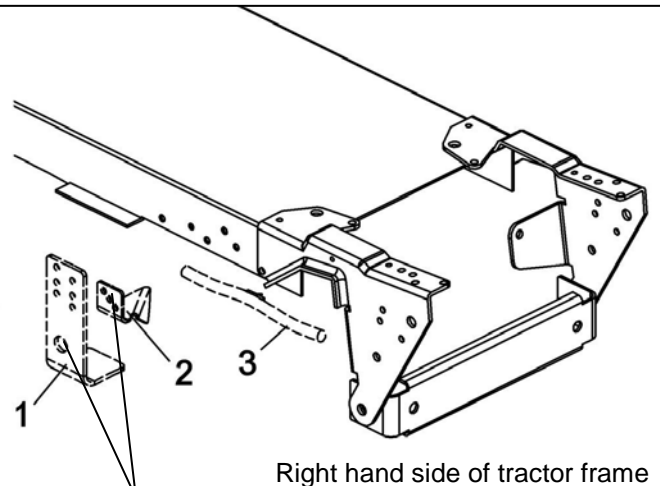
#### RIGHT HAND SIDE:

Unscrew / remove the following parts if installed: deck stop (item 1), clutch bracket (item 2) and the nylon tie wrap securing the electric loom (item 3) over the front axle. Drill to 11/32" diameter the holes used on deck stop & clutch bracket.

In order to install the subframe supports, it may be necessary to remove certain bolts or certain parts.

**NOTE:** Take note of the place and how the bolts and parts were installed in order to reinstall them in the same manner and place as before.

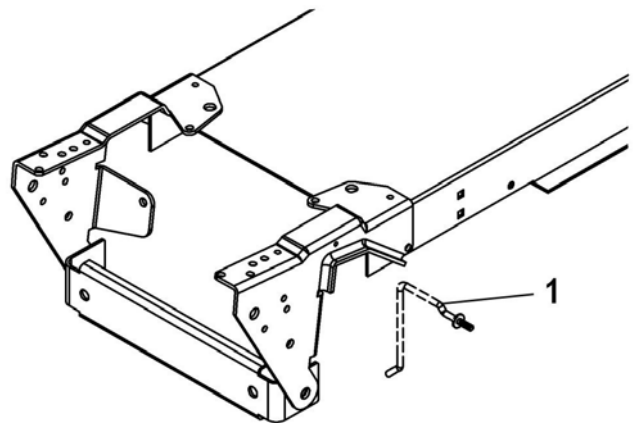
If applicable, make sure that the belt guide does not touch any part when reinstalled.



#### LEFT HAND SIDE:

Unscrew / remove the belt keeper rod (item 1, if there is one).

Cut the nylon tie wrap securing the electric loom in front of the foot rest.



# ASSEMBLY

## STEP 2

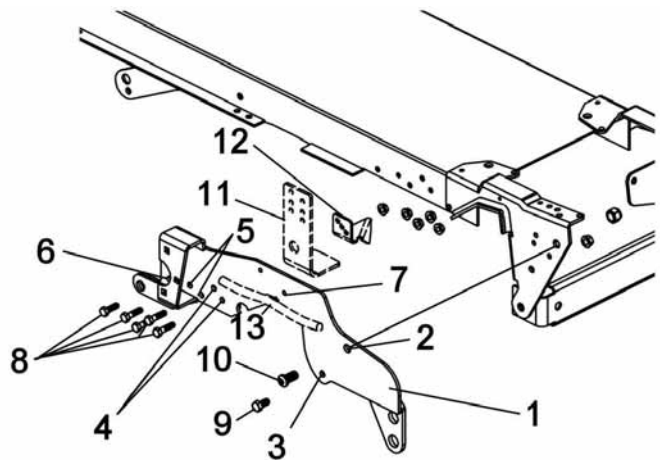
### SUBFRAME INSTALLATION:

#### RIGHT SUPPORT:

Install the right support (item 1) on the right side of tractor. The chart below identifies the hardware and the parts to be installed according to the holes in the tractor's frame. Even though some holes may not exist on certain models of tractors, **use the maximum of holes & bolts possible to ensure the solidity of the kit.** You may drill the missing holes in the tractor frame if necessary.

Hex bolt. = Hexagonal bolt; head towards the outside.

Hole #	Hardware to install	Parts to install (if previously removed)
2	Hex. bolt 1/2" x 1" (item 10) & Nylon insert lock nut 1/2"	None
3	Hex. bolt 3/8" x 1" (item 9) & Flange nut 3/8"	None
4	Hex. bolt 5/16" x 1" (item 8) & Flange nut 5/16"	Deck stop (item 11)
5	Hex. bolt 5/16" x 1" (item 8) & Flange nut 5/16"	Clutch bracket (item 12)
6	Hex. bolt 5/16" x 1" (item 8) & Flange nut 5/16"	None
7	None	Nylon tie wrap securing electric loom (item 13)



Install right support .

#### **NOTES:**

1. Turning the wheels to the left will facilitate installation on tractors with 16" wheels.
2. Do not tighten the screws nor the nuts.



# ASSEMBLY

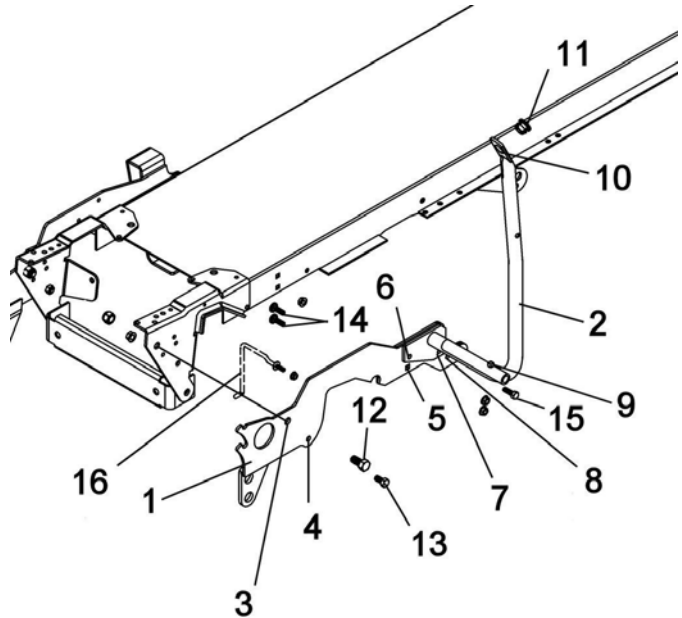
## LEFT SUPPORT AND HANDLE SUPPORT:

Install the left support (item 1) and the handle support (item 2).

The chart identifies the hardware and parts to be installed according to the holes in the tractor's frame. Even though some holes may not exist on certain models of tractors, **use the maximum of holes & bolts possible to ensure the solidity of the kit.** You may drill the missing holes in the tractor frame if necessary.

Carr. bolt. = Carriage bolt; head towards the inside.  
Hex bolt. = Hexagonal bolt; head towards the outside.

Hole #	Hardware to install	Parts to install
3	Hex. bolt 1/2" x 1" (item 12) & Nylon insert lock nut 1/2"	None
4	Hex. bolt 3/8" x 1" (item 13) & Flange nut 3/8"	None
5	Carr. bolt 5/16" x 1" (item 14) & Flange nut 5/16" <b>(SEE NOTE 2)</b>	Belt keeper rod (item 16; if previously removed)
6	Carr. bolt 5/16" x 1" (item 14) & Flange nut 5/16"	Handle support (item 2)
7	Hex. bolt 5/16" x 1" (item 15) Flange nut 5/16"&	Handle support (item 2)
8	None	Nylon tie wrap (for electric loom)
9	Square head set screw 5/16" x 1/2" (for the cab) (item 9)	None
10	None	Plastic grommet (item 11)



Install the left support and handle support

### **NOTE:**

1. Turning the wheels to the right will facilitate installation on tractors with 16" wheels .
2. If the belt keeper rod must be put back in place in hole #. 5, do not use the carriage bolt, use only the flange nut.

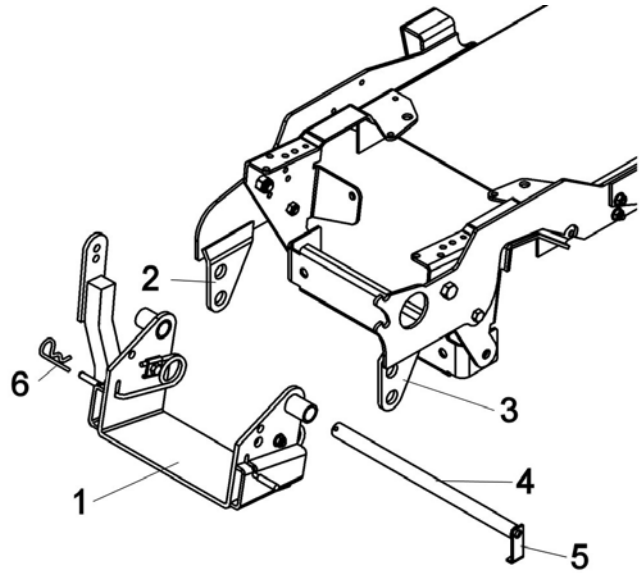
Do not tighten the screws or the nuts.

# ASSEMBLY

## **PIVOT SUPPORT:**

Turn the front wheels towards the left.  
 Install the pivot support (item 1) between the two supports (item 2 & 3) and slide in place the pin (item 4) in the required holes.  
 See chart below for required position.

Front Tires	Axle distance to measure Figure A	Holes in the supports (item 2 & 3)
15" x 6.5" or smaller.	1 3/4"	Top
15" x 6.5" or smaller.	2 7/8"	Bottom
16" x 7.5"	2 7/8"	Bottom

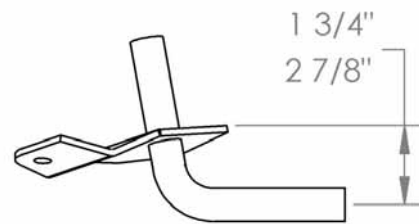


Install the pivot support.

Lock into place by placing the bended part (item 5) of the pin in the hole that is free on the right support.

Secure with the hair pin 4mm (item 6).

Tighten all the bolts and nuts on both sides securely.



**Figure A**

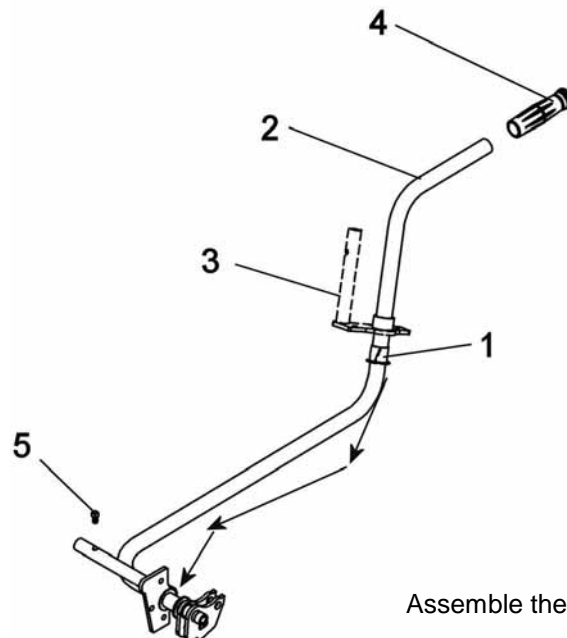
## **LIFT ARM:**

Insert the nylon bushing (item 1) down the lift arm (item 2) to the end of the lift arm.

Slide the cab support (item 3) down the lift arm to the end of the lift arm and over the nylon bushing.

Install the handgrip (item 4) on the lift arm as shown.

Screw one square head set screw 5/16" x 1/2" in the cab support (item 5).



Assemble the lift arm

# ASSEMBLY

## LIFT MECHANISM:

Slide the link (item 1) inside the box (item 2) of the right support.

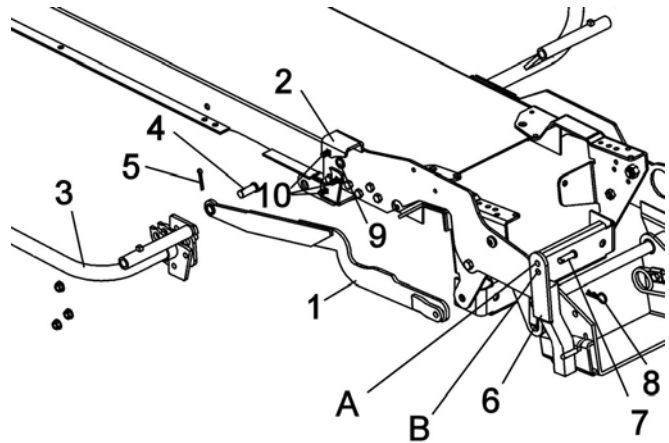
Secure the link to the lift arm (item 3) with the lift pin (item 4), and a cotter pin 1/8" x 3/4" (item 5).

Insert the lift arm (item 3) in the bushing (item 9; see through section) of the right support.

Secure the cab support with three carriage bolts 5/16" x 3/4" (item x10, heads inside the box) and flange nuts.

Tighten securely.

Secure other end of the link to the pivot support (item 6) with a lift pin (item 7) and a hair pin 2.5 mm (item 8) in the hole indicated in the chart below.



Front Tires	Hole in pivot support
16" x 7.5" or bigger	"A"
Other sizes	"B"

Install the lift mechanism & the link

## INSTALLATION OF THREADED ROD:

Screw in a hex. nut 5/8" (item 1) and insert a lock washer (item 3) on each end of the threaded rod (item 2).

Insert the threaded rod in the rear holes (item 5) of left and right supports.

Secure in place with a nylon insert lock nut 5/8" (item 4) at each end of the threaded rod.

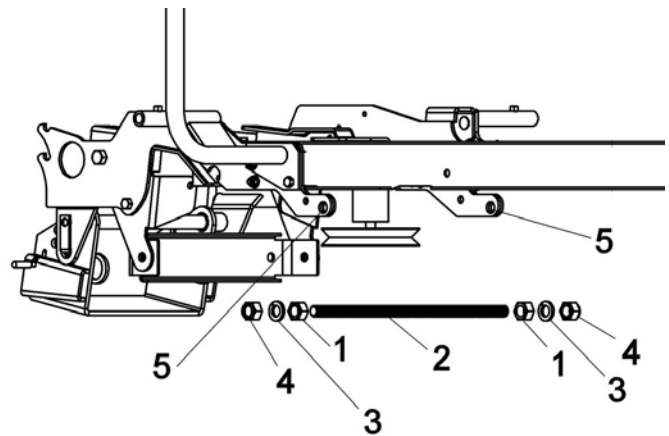
Tighten securely.

### How To:

It may be difficult to tighten the four nuts.

To proceed, secure the threaded rod in place with locking pliers ("Vise Grip"). Tighten the nylon insert lock nut, then the hex. nut on the one side.

Remove the locking pliers and tighten the remaining nuts on the other side.



Install the threaded rod

# ASSEMBLY

## STEP 3

### DRIVE MECHANISM PREPARATION:

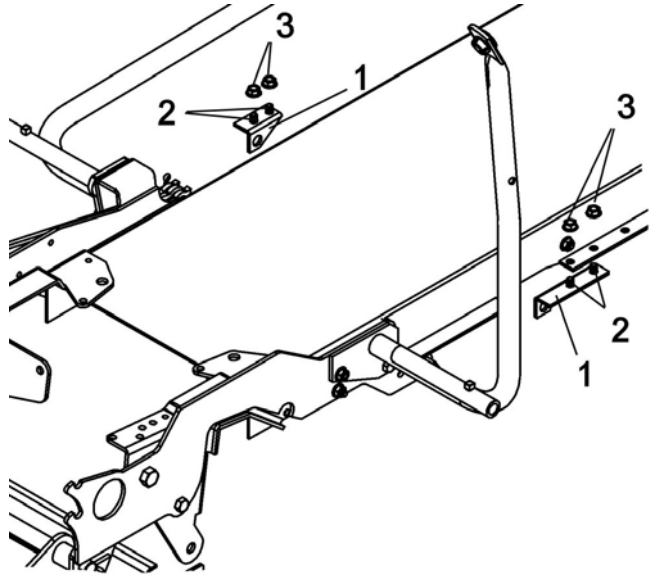
#### TRACTOR PREPARATION:

(Refer to the tractor's owner's manual to identify the parts to remove). Remove the mower deck and the deck stabilizer bracket.

#### Tractors with an electric clutch:

Secure a support (items 1) with two hex bolts 5/16" x 1/2" (item 2; head downwards) and two flange nuts 5/16" (item 3) on each side of tractor frame.

Tighten firmly.



Install the supports (Electric clutch).

#### Tractors with a manual clutch:

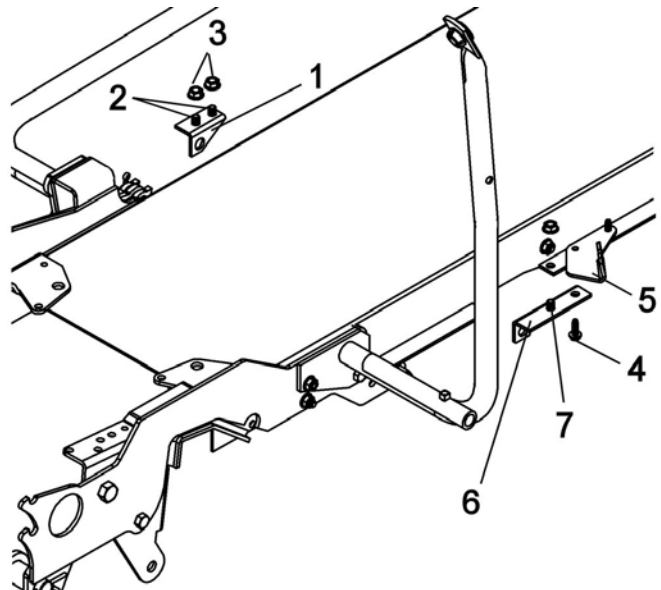
Secure the right support (item 1) with two hex. bolts 5/16" x 1/2" (item 2; heads underneath) and two flange nuts 5/16" (item 3). Tighten firmly.

Remove the front screw (item 4) that holds the cable support (item 5).

Secure the front of the left support (item 6) with one hex. bolt 5/16" x 1/2" (item 7, head underneath) and one flange nut 5/16".

Secure the rear of the left support and the cable support with the screw (item 4) removed previously.

Tighten firmly.



Install the supports (Manual clutch).

# ASSEMBLY

**NOTE:**

- 1) This drive mechanism may be mounted on tractors with two types of clutch mechanisms. See the following instructions for those that are appropriate for your tractor.
- 2) The mower deck must be removed to install / use the drive mechanism.

**NOTE:** The drive mechanism must be straight, to make sure the belt works well.

**TRACTOR WITH AN ELECTRIC CLUTCH.**

No modifications on the drive frame are needed.

**TRACTORS WITH A MANUAL CLUTCH ACTIVATED BY A CABLE.**

Remove the spring (item 1) that is hooked in holes of the idler arm (item 2) and drive frame (item 3).

Hook the spring of the tractor's cable (item 4) on the tension arm.

Cut the tie wrap that holds the cable to the frame.

**NOTE:** Depending on the mower deck model, there are different cable lengths. To determine where to place the cable holder (item 5), hook the end of the cable spring (item 4) on the idler arm (item 2).

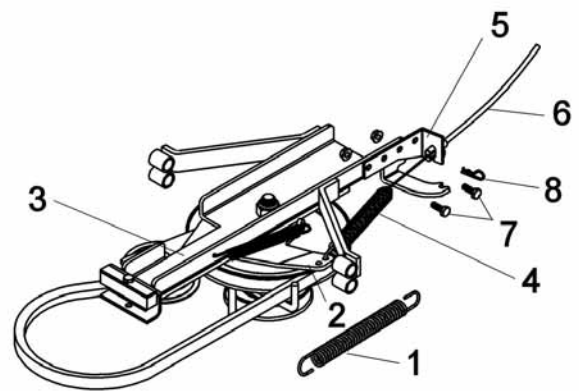
Slide the cable shield (item 6) temporarily into the slot on the cable holder.

To identify into which holes the cable holder will be bolted in on the drive frame, you must apply a slight tension on the cable.

This adjustment must be done with the clutch arm in the disengaged position.

Remove the cable shield and secure the cable holder on the drive frame using two 1/4 x 3/4" hex bolts (item 7) and flange nuts.

Reinstall the cable shield into the cable holder and secure a 2mm hair pin (item 8).



Install cable holder

# ASSEMBLY

## STEP 4

### DRIVE MECHANISM INSTALLATION:

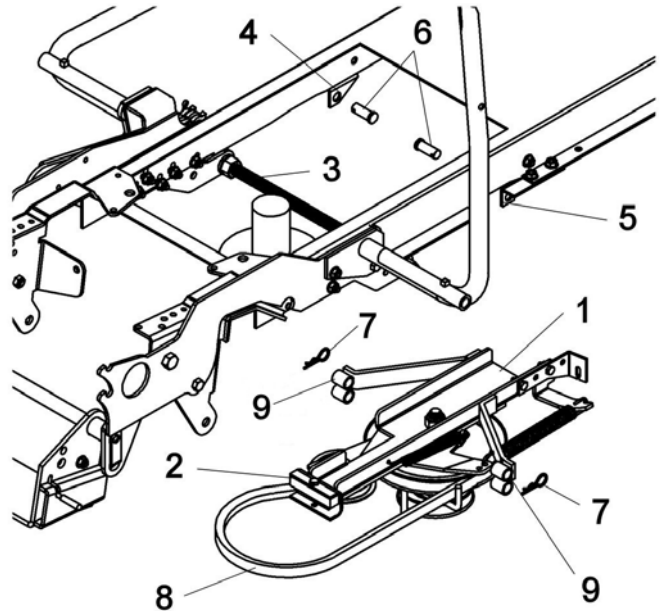
**NOTE: You must remove mower deck to install the drive mechanism.**

Install the drive mechanism (item 1) by hooking the front part of the drive frame (item 2) on the threaded rod (item 3).

Install the belt (item 8) on the engine pulley.

Lift and secure the rear portion of the drive frame between the supports (items 4 & 5) by inserting a pin (item 6) in the top tubes (item 9) on each side.

Secure with two 2.5 mm hair pins (item 7).



## WARNING



### **TO PREVENT INJURIES:**

**It is the person who installs the drive mechanism responsibility to make sure that when the clutch is disengaged that all moving parts stop.**

**For more information, do not hesitate to contact the technical support.**

Install drive mechanism .

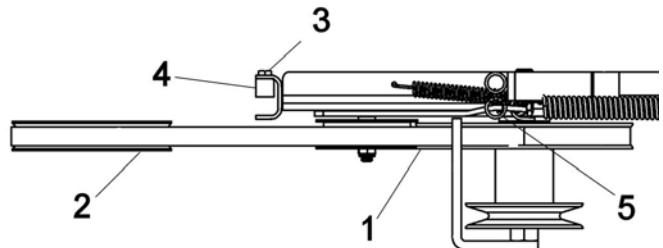
### **BELT ALIGNMENT VERIFICATION:**

Make sure the drive mechanism pulley (item 1) is aligned with the engine pulley (item 2). An offset of 1/4" is acceptable. If alignment must be changed, remove the drive mechanism.

Remove the hex. bolt 1/4" x 3/4" (item 3) that secures the shim (item 4) that is in the highest position.

Position the shim in the lower position (figure A) and tighten securely using the hex. bolt 1/4" x 3/4".

Put the drive mechanism back in place, using the lower tubes (item 5).



Belt alignment verification.

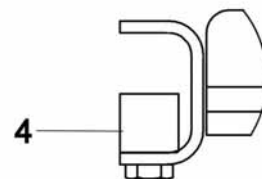


Figure A  
Cale en position basse

# ASSEMBLY

## STEP 5

### **SNOWBLOWER INSTALLATION:**

Refer to snowblower owner's manual, parts breakdown section for parts identification.



## WARNING



### **FOR YOUR SECURITY:**

Read the snowblower's owner's manual for safety precautions and rules.

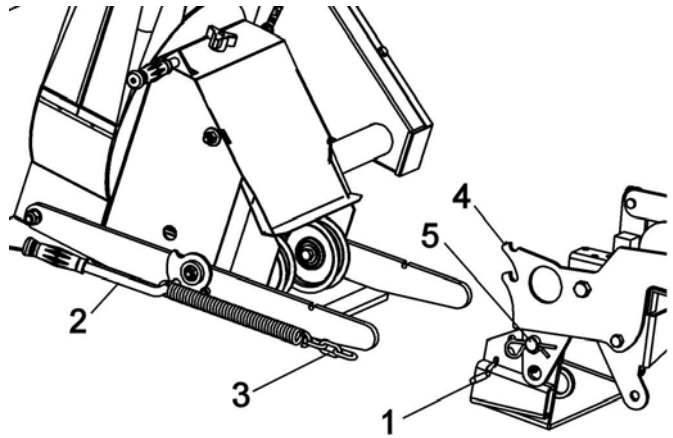
Follow the assembly and operation instructions.

Attach the snowblower to the subframe as shown.

Make sure the snowblower is pushed in until locked into place by the springs (item 1).

Lift the snowblower by pulling the lift arm. Turn the tension arm (item 2) towards the back. Hook the chain (item 3) (of the helper spring) on the tip (item 4) of the left support intended for this purpose. Use the upper tip (item 4) if the pivot support is secured in the top hole (item 5). Turn the tension arm towards the front to apply tension on the spring.

Lower the snowblower.



## WARNING



### **TO PREVENT INJURIES:**

Stop the motor.

Apply parking brake.

Remove the ignition key.

Disconnect the wire from the spark plug(s) and keep away from spark plug(s) to prevent accidental starting.



## CAUTION



The belt tension arm and lift assist spring are spring loaded & needs to be held firmly while displacing to prevent injury.

Install snowblower and lift assist spring



## CAUTION



Never use the snowblower without the belt guard.

### **BELT INSTALLATION:**

Remove the belt guard.

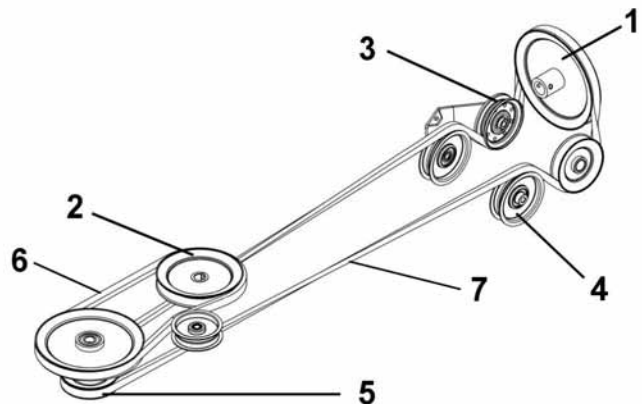
Install the belt around the pulleys as shown.

Install the belt on the drive mechanism pulley (item 5) under the tractor.

Apply tension on the belt by pulling up the belt tension arm.

Reinstall the belt guard.

**NOTE:** See belt replacement instructions in the maintenance section of the snowblower owner's manual.



- Item 1: Snowblower pulley
- Item 2: Tractor engine pulley
- Item 3: Flat pulley L.H.
- Item 4: Flat pulley R.H.
- Item 5: Drive mechanism pulley
- Item 6: Drive mechanism belt
- Item 7: Snowblower belt

Install-belt and belt guard

# ASSEMBLY

## **VERIFY BELT ROUTING:**

- Lower the snowblower to the ground and let it run for a few seconds under supervision.
- Disengage the snowblower and stop the engine.
- Remove the belt guard.
- Check the belts to make sure they are well inserted on the pulleys and have not flipped on their sides in the pulleys and that they do not touch the belt guides.
- Reinstall the belt guard.



## **WARNING**

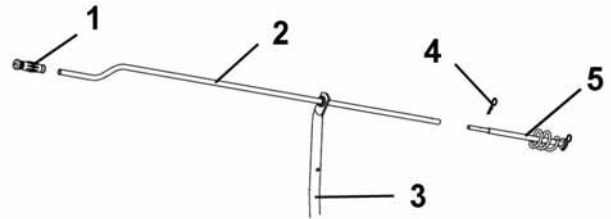


### **TO PREVENT INJURIES:**

**It is the person who installs the drive mechanism responsibility to make sure that when the clutch is disengaged that all moving parts stop.**

**For more information, do not hesitate to contact the technical support.**

- Insert the handgrip (item 1) on the handle (item 2).  
Insert the handle (item 2) through the support (item 3) as shown.  
Insert the handle (item 2) in the rotation worm (item 5) and secure with a 2.5 mm. hair pin (item 4).



Install handle

## **VERIFY SKID SHOE ADJUSTMENT:**

**LEVEL PAVED SURFACE:** Adjust skid shoes to allow 3/16" to 1/4" clearance (A) between cutting edge and surface.

**UNEVEN OR GRAVEL SURFACE:** Adjust skid shoes to allow 1/2" to 5/8" clearance (A) between cutting edge and surface.

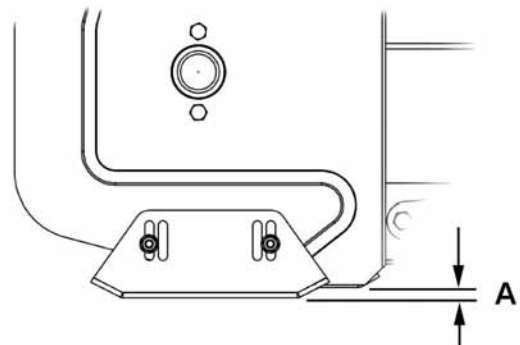
## **VERIFY TIRE PRESSURE:**

Check and adjust tractor tire pressure as follows:

Front tires: To tire manufacturer max.

Back tires: 7-8 psi

Tire pressure must be even on both sides of tractor.



Adjust skid shoe



# ASSEMBLY

## ROTARY BROOM INSTALLATION:

Refer to rotary broom owner's manual, parts breakdown section for parts identification.



## WARNING



### FOR YOUR SECURITY:

Read the Rotary Broom owner's manual for safety precautions and rules.

Follow the assembly and operation instructions.

Attach the rotary broom to the subframe as shown.

Make sure the rotary broom is pushed in until locked into place by the springs (item 1).



## WARNING



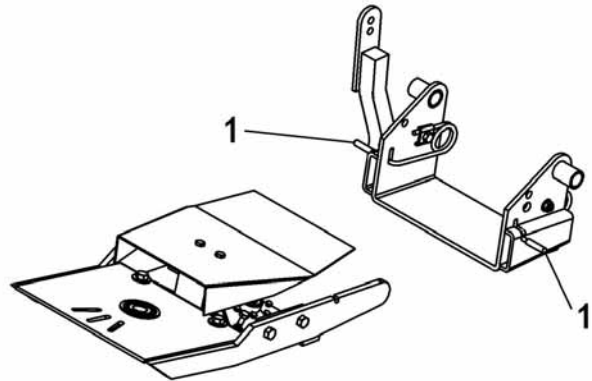
### TO PREVENT INJURIES:

Stop the motor.

Apply parking brake.

Remove the ignition key.

Disconnect the wire from the spark plug(s) and keep away from spark plug(s) to prevent accidental starting.



Install rotary broom



## CAUTION



Never use the Rotary Broom without the belt guard.

## BELT INSTALLATION

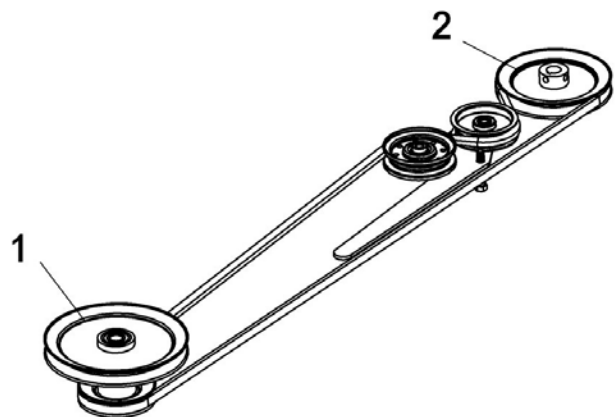
**NOTE:** See belt replacement instructions in the maintenance section of the owner's manual for the broom.

Remove the belt guard.

Install the belt on the drive mechanism pulley (item 1) as shown.

Reinstall the belt guard.

**TIP:** Because of strong tension on the spring and to facilitate installation of the belt, the broom must be on the ground and remove the belt from the engine pulley.



Item 1: Drive mechanism pulley

Item 2: Rotary broom pulley

Install belt

# ASSEMBLY

## **VERIFY BELT ROUTING:**

- Lower the rotary broom to the ground and let it run for a few seconds under supervision.
- Disengage the rotary broom and stop the engine.
- Check the belts to make sure they are well inserted on the pulleys and have not flipped on their sides in the pulleys and that they do not touch the belt guides



## **WARNING**



### **TO PREVENT INJURIES:**

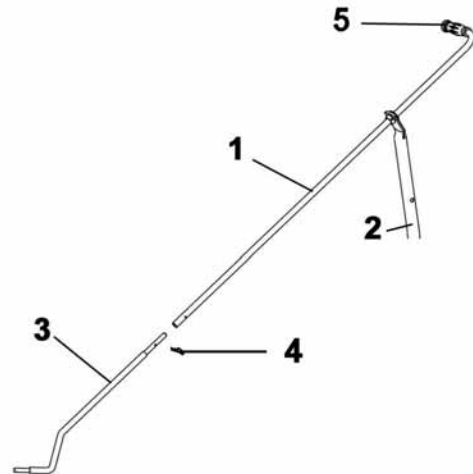
**It is the person who installs the drive mechanism responsibility to make sure that when the clutch is disengaged that all moving parts stop.**

**For more information, do not hesitate to contact the technical support.**

Insert handgrip (item 5) on the handle (item 1).

Insert the handle (item 1) through the support (item 2) as shown.

Install the handle on the control rod (item 3) as shown and secure with a 2.5 mm. hair pin (item 4).



Install handle

## **VERIFY TIRE PRESSURE:**

Check and adjust tractor tire pressure as follows:

Front tires:	To tire manufacturer max.
Back tires:	7-8 psi

Tire pressure must be even on both sides of the tractor.

# ASSEMBLY

## **BLADE INSTALLATION:**

Refer to blade owner's manual, parts breakdown section for parts identification.



## **WARNING**



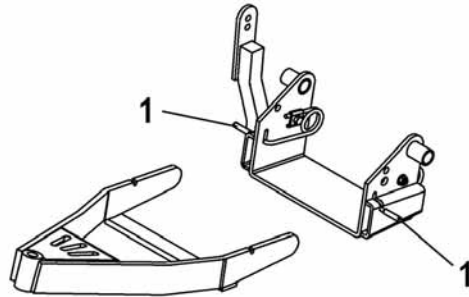
### **FOR YOUR SECURITY:**

Read the Blade owner's manual for safety precautions and rules.

Follow the assembly and operation instructions.

Attach the blade to the subframe as shown.

Make sure the blade is pushed in until locked into place by the springs (item 1).

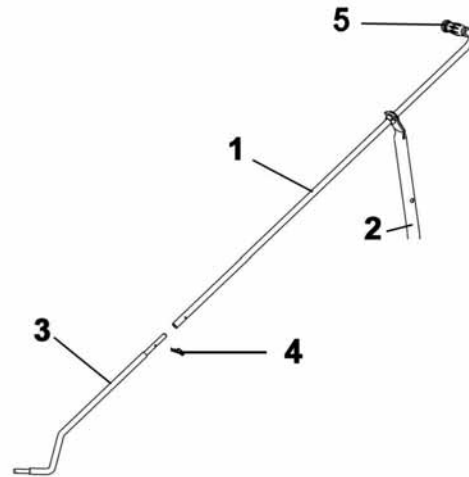


Install the blade

Insert the handgrip (item 5) on the handle (item 1).

Insert the handle (item 1) through the handle support (item 2) as shown.

Install the handle on the control rod (item 3) as shown and secure with a 2.5 mm hair pin (item 4).



Install handle

## **VERIFY TIRE PRESSURE:**

Check and adjust tractor tire pressure as follows:

Front tires:	To tire manufacturer max.
Back tires:	7-8 psi

Tire pressure must be even on both sides of the tractor.

# MAINTENANCE & DISMOUNTING

## **MAINTENANCE**

- a) Check mounting bolts at frequent intervals for proper tightness to be sure equipment is in safe working condition.
- b) Apply oil at all pivot points.

## **DRIVE MECHANISM DISMOUNTING**

**SEE ATTACHMENT OWNER'S MANUAL (SNOWBLOWER, BROOM AND BLADE) FOR DISMOUNTING INSTRUCTIONS.**

- a) Dismount the attachment.
- b) Remove the rear counterweight when you remove the front attachment.
- c) Dismount the drive mechanism by supporting it in hand and removing the two hair pins and the pins. Carefully lower to the ground. Remove the V-belt from engine pulley.

### Manual clutch activated by cable:

Unhook cable shield by removing the hair pin. Unhook spring. Pull out drive mechanism from underneath tractor.

- d) You may leave the subframe on tractor all year long or remove it if preferred.
- e) Reinstall mower if needed.

## **BELT REPLACEMENT**

### **Drive Mechanism Belt:**

Dismount the drive mechanism.

Remove the bolt which retains the tension pulley. Replace the belt and re-install the tension pulley. Before tightening make sure the belt guide does not touch the belt at any time. Re-install the drive mechanism.

## **END OF SEASON STORAGE**

- a) Clean and paint all parts from which paint has worn.
- b) Apply oil at all pivot points.
- c) Inspect and replace all defective parts before using again.

# TORQUE SPECIFICATION TABLE

## GENERAL TORQUE SPECIFICATION TABLE

### USE THE FOLLOWING TORQUES WHEN SPECIAL TORQUES ARE NOT GIVEN

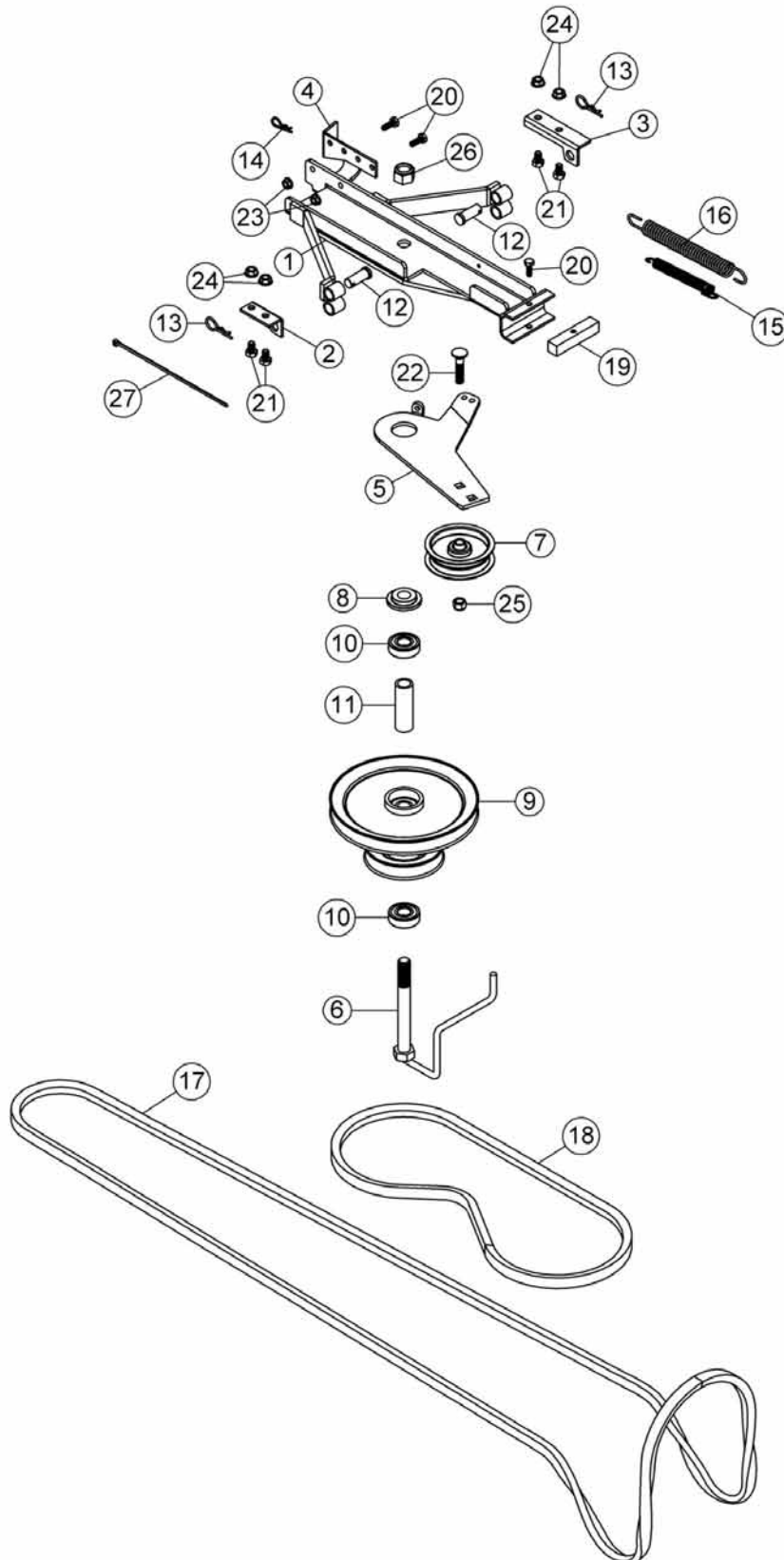
NOTE: These values apply to fasteners as received from supplier, dry or when lubricated with normal oil. They do not apply if special graphited or moly disulphide greases or other extreme pressure lubricants are used. This applies to both UNF and UNC threads.

SEE Grade No.		2				5				8 *			
BOLT HEAD IDENTIFICATION MARKS AS PER GRADE NOTE MANUFACTURING MARKS WILL VARY		TORQUE				TORQUE				TORQUE			
BOLT SIZE		POUNDS FEET		NEWTON-METERS		POUNDS FEET		NEWTON-METERS		POUNDS FEET		NEWTON-METERS	
Inches	Millimetre	Min.	Max.	Min.	Max.	Min.	Max.	Min.	Max.	Min.	Max.	Min.	Max.
1/4"	6.35	5	6	6.8	8.13	9	11	12.2	14.9	12	15	16.3	30.3
5/16"	7.94	10	12	13.6	16.3	17	20.5	23.1	27.8	24	29	32.5	39.3
3/8"	9.53	20	23	27.1	31.2	35	42	47.5	57	45	54	61	73.2
7/16"	11.11	30	35	40.7	47.4	54	64	73.2	86.8	70	84	94.9	113.9
1/2"	12.7	45	52	61	70.5	80	96	108.5	130.2	110	132	149.2	179
9/16"	14.29	65	75	88.1	101.6	110	132	149.2	179	160	192	217	260.4
5/8"	15.88	95	105	128.7	142.3	150	180	203.4	244.1	220	264	298.3	358
3/4"	19.05	150	185	203.3	250.7	270	324	366.1	439.3	380	456	515.3	618.3
7/8"	22.23	160	200	216.8	271	400	480	542.4	650.9	600	720	813.6	976.3
1"	25.4	250	300	338.8	406.5	580	696	786.5	943.8	900	1080	1220.4	1464.5

\*Thick nuts must be used with grade 8 bolts

METRIC BOLT TORQUE SPECIFICATIONS							
Size Screw	Grade No.	Pitch (mm)	COARSE THREAD		FINE THREAD		
			Pounds Feet	Newton-Meters	Pitch (mm)	Pounds Feet	Newton-Meters
M6	4T	1.00	3.6 - 5.8	4.9 - 7.9	-	-	-
	7T		5.8 - 9.4	7.9 - 12.7		-	-
	8T		7.2 - 10	9.8 - 13.6		-	-
M8	4T	1.25	7.2 - 14	9.8 - 19	1.00	12 - 17	16.3 - 23
	7T		17 - 22	23 - 29.8		19 - 27	25.7 - 36.6
	8T		20 - 26	27.1 - 35.2		22 - 31	29.8 - 42
M10	4T	1.50	20 - 25	27.1 - 33.9	1.25	20 - 29	27.1 - 39.3
	7T		34 - 40	46.1 - 54.2		35 - 47	47.4 - 63.7
	8T		38 - 46	51.5 - 62.3		40 - 52	54.2 - 70.5
M12	4T	1.75	28 - 34	37.9 - 46.1	1.25	31 - 41	42 - 55.6
	7T		51 - 59	69.1 - 79.9		56 - 68	75.9 - 92.1
	8T		57 - 66	77.2 - 89.4		62 - 75	84 - 101.6
M14	4T	2.00	49 - 56	66.4 - 75.9	1.50	52 - 64	70.5 - 86.7
	7T		81 - 93	109.8 - 126		90 - 106	122 - 143.6
	8T		96 - 109	130.1 - 147.7		107 - 124	145 - 168
M16	4T	2.00	67 - 77	90.8 - 104.3	1.50	69 - 83	93.5 - 112.5
	7T		116 - 130	157.2 - 176.2		120 - 138	162.6 - 187
	8T		129 - 145	174.8 - 196.5		140 - 158	189.7 - 214.1
M18	4T	2.00	88 - 100	119.2 - 136	1.50	100 - 117	136 - 158.5
	7T		150 - 168	203.3 - 227.6		177 - 199	239.8 - 269.6
	8T		175 - 194	237.1 - 262.9		202 - 231	273.7 - 313
M20	4T	2.50	108 - 130	146.3 - 176.2	1.50	132 - 150	178.9 - 203.3
	7T		186 - 205	252 - 277.8		206 - 242	279.1 - 327.9
	8T		213 - 249	288.6 - 337.4		246 - 289	333.3 - 391.6

**PARTS BREAKDOWN / NOMENCLATURE DES PIÈCES  
DRIVE MECHANISM COMPACT #700435  
MÉCANISME D'ENTRAÎNEMENT COMPACT #700435**



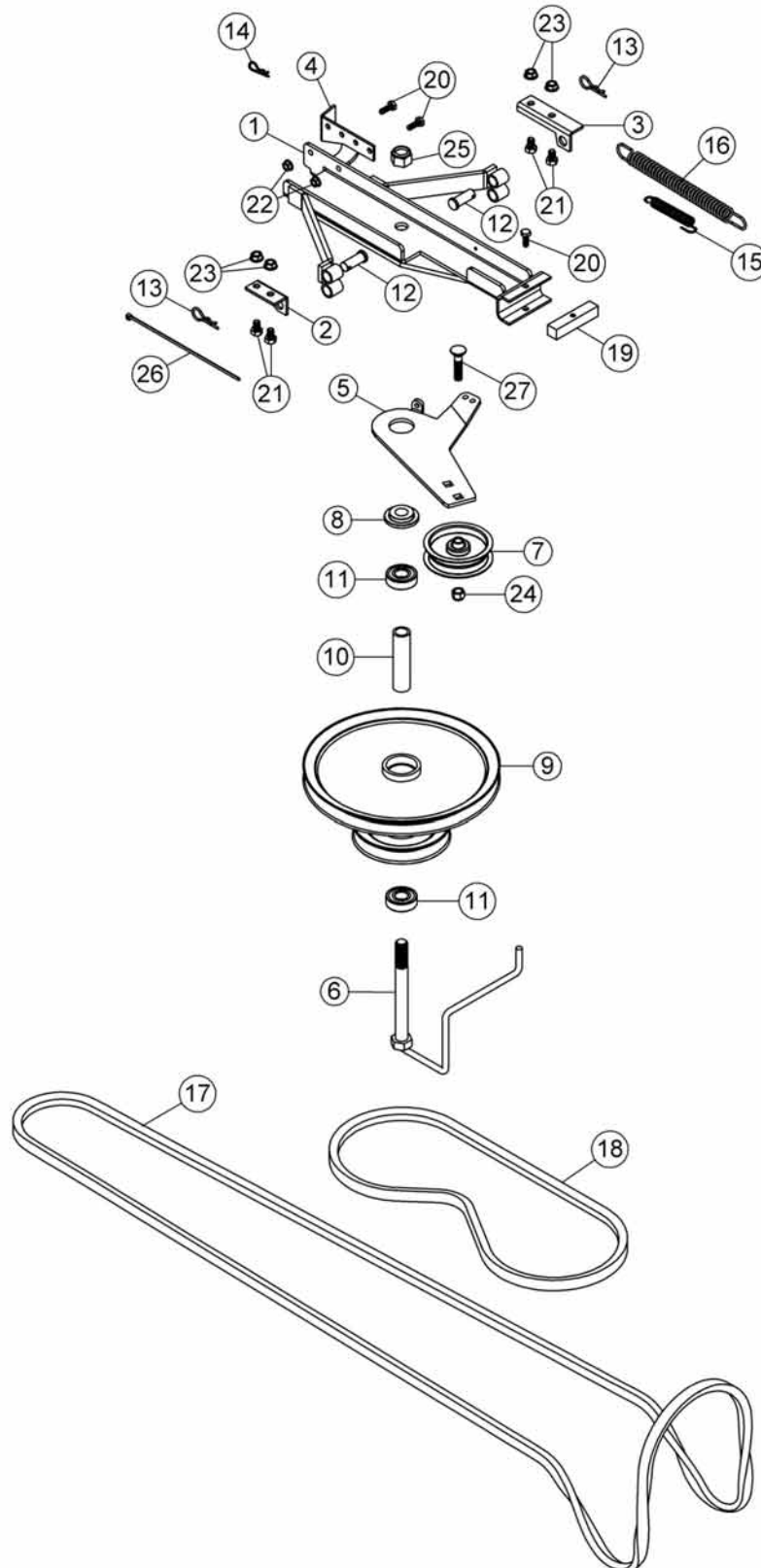
# PARTS LIST / LISTE DES PIÈCES

#700435

Ref. Réf.	English description	Description française	Qty. Qté.	Part # Pièce #
1	Drive frame	Châssis d'entraînement	1	104553
2	Right support	Support droit	1	104554
3	Left support	Support gauche	1	104555
4	Cable holder	Fixation du câble	1	104092
5	Idler arm	Bras de tension	1	104347
6	Belt guide	Guide-courroie	1	104095
7	Flat pulley	Poulie plate	1	102839
8	Flange washer	Rondelle à bride	1	102969
9	Double pulley inc. 102736 & 102782	Poulie double inc. 102736 & 102782	1	102692
10	Bearing	Roulement à billes	2	102736
11	Sleeve	Douille	1	102782
12	Pin	Goupille	2	103070
13	Hair pin 2.5mm	Goupille à ressort 2.5mm	2	102013
14	Hair pin 2mm	Goupille à ressort 2mm	1	102430
15	Spring 1/2"	Ressort 1/2"	1	102003
16	Spring	Ressort	1	102304
17	V-Belt , B-118	Courroie en V , B-118	1	104044
18	V-Belt , A-45	Courroie en V , A-45	1	104103
19	Shim	Cale	1	104574
20	Hex. bolt 1/4" n.c. x 3/4"	Boulon hex. 1/4" n.c. x 3/4"	3	O/L
21	Hex. bolt 5/16" n.c. x 1/2"	Boulon hex. 5/16" n.c. x 1/2"	4	O/L
22	Carriage bolt 3/8" n.c. x 1 3/4"	Boulon à carrosserie 3/8" n.c. x 1 3/4"	1	O/L
23	Flange nut 1/4" n.c.	Écrou à bride 1/4" n.c.	2	O/L
24	Flange nut 5/16" n.c.	Écrou à bride 5/16" n.c.	4	O/L
25	Nylon insert lock nut 3/8" n.c.	Écrou à garniture de nylon 3/8" n.c.	1	O/L
26	Nylon insert lock nut 5/8" n.c.	Écrou à garniture de nylon 5/8" n.c.	1	O/L
27	Tie wrap 8"	Attache de nylon 8"	1	O/L

O/L = Obtain locally/ obtenir localement

**PARTS BREAKDOWN / NOMENCLATURE DES PIÈCES  
NORTHEAST DRIVE MECHANISM 700436  
MÉCANISME D'ENTRAÎNEMENT NORDET 700436**





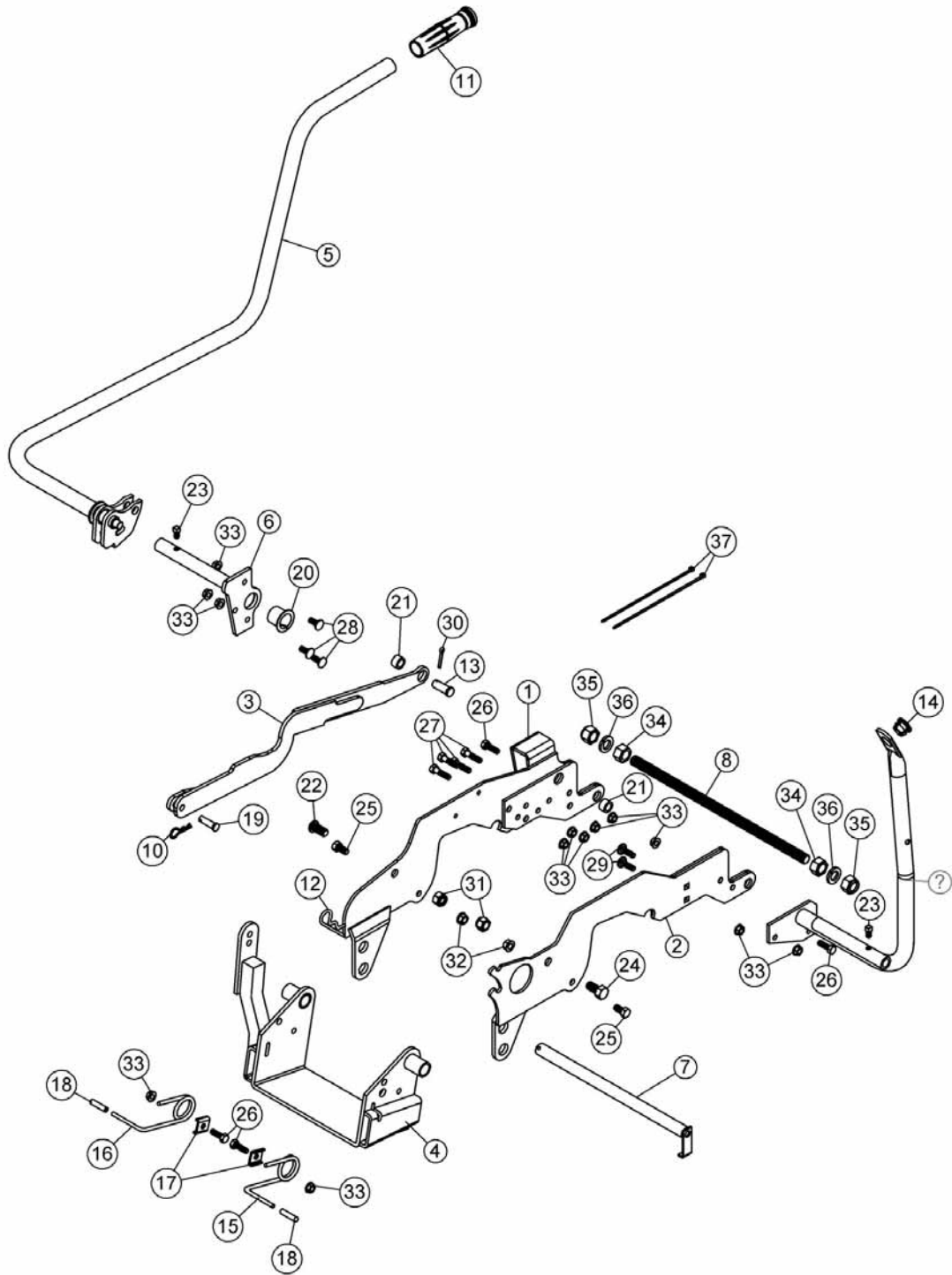
# PARTS LIST / LISTE DES PIÈCES

#700436

Ref. Réf.	English description	Description française	Qty. Qté.	Part # Pièce #
1	Drive frame	Châssis d'entraînement	1	104553
2	Right support	Support droit	1	104554
3	Left support	Support gauche	1	104555
4	Cable holder	Fixation du câble	1	104092
5	Idler arm	Bras de tension	1	104347
6	Belt guide	Guide-courroie	1	104043
7	Flat pulley	Poulie plate	1	102839
8	Flange washer	Rondelle à bride	1	102969
9	Double pulley inc. 102736 & 103035	Poulie double inc. 102736 & 103035	1	103040
10	Sleeve	Douille	1	103035
11	Bearing	Roulement à billes	2	102736
12	Pin	Goupille	2	103070
13	Hair pin 2.5mm	Goupille à ressort 2.5mm	2	102013
14	Hair pin 2mm	Goupille à ressort 2mm	1	102430
15	Spring 1/2"	Ressort 1/2"	1	102003
16	Spring	Ressort	1	102304
17	V-Belt , B-124	Courroie en V , B-124	1	102484
18	V-Belt , A-49	Courroie en V , A-49	1	102764
19	Shim	Cale	1	104574
20	Hex. bolt 1/4" n.c. x 3/4"	Boulon hex. 1/4" n.c. x 3/4"	3	O/L
21	Hex. bolt 5/16" n.c. x 1/2"	Boulon hex. 5/16" n.c. x 1/2"	4	O/L
22	Flange nut 1/4" n.c.	Écrou à bride 1/4" n.c.	2	O/L
23	Flange nut 5/16" n.c.	Écrou à bride 5/16" n.c.	4	O/L
24	Nylon insert lock nut 3/8" n.c.	Écrou à garniture de nylon 3/8" n.c.	1	O/L
25	Nylon insert lock nut 5/8" n.c.	Écrou à garniture de nylon 5/8" n.c.	1	O/L
26	Tie wrap 8"	Attache de nylon 8"	1	O/L
27	Carriage bolt 3/8" n.c. x 1 3/4"	Boulon à carrosserie 3/8" n.c. x 1 3/4"	1	O/L

O/L = Obtain locally/ obtenir localement

**PARTS BREAKDOWN / NOMENCLATURE DES PIÈCES  
SUBFRAME / SOUS-CHÂSSIS #700434**



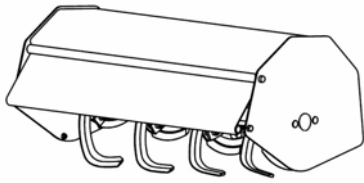
# PARTS LIST / LISTE DES PIÈCES

#700434

Ref.	English description	Description française	Qty.	Part #
1	Right support (Inc. ref. #21)	Support droit (Inc. ref. #21)	1	104543
2	Left support	Support gauche	1	104544
3	Link (Inc. ref. #21)	Lien (Inc. ref. #21)	1	104545
4	Pivot support	Support de pivot	1	104546
5	Lift arm	Bras de relevage	1	104549
6	Cab support	Support de cabine	1	104550
7	Pin	Goupille	1	104551
8	Threaded rod	Tige filetée	1	104552
9	Handle support	Support de manivelle	1	104557
10	Hair pin 2.5mm	Goupille à ressort 2.5mm	1	102013
11	Handgrip	Poignée de plastique	1	102025
12	Hair pin 4mm	Goupille à ressort 4mm	1	102054
13	Pin	Goupille	1	103070
14	Plastic grommet	Oeillet de plastique	1	102063
15	Left spring lock	Ressort de barrure gauche	1	102208
16	Right spring lock	Ressort de barrure droit	1	102209
17	Spring bracket	Fixation du ressort	2	102210
18	Handgrip	Poignée	2	102248
19	Lift pin	Goupille de relevage	1	102780
20	Nylon bushing	Coussinet en nylon	1	103087
21	Bushing	Coussinet	2	102225
22	Button head cap screw 1/2" n.c. x 1"	Vis tête ronde six pans creux 1/2" n.c. x 1"	1	O/L
23	Square head set screw 5/16" n.c. x 1/2"	Vis à pression à tête carrée 5/16" n.c. x 1/2"	2	O/L
24	Hex. bolt 1/2" n.c. x 1"	Boulon hex. 1/2" n.c. x 1"	1	O/L
25	Hex. bolt 3/8" n.c. x 3/4"	Boulon hex. 3/8" n.c. x 3/4"	2	O/L
26	Hex. bolt 5/16" n.c. x 1"	Boulon hex. 5/16" n.c. x 1"	4	O/L
27	Hex. bolt 5/16" n.c. x 1 1/4"	Boulon hex. 5/16" n.c. x 1 1/4"	4	O/L
28	Carriage bolt 5/16" n.c. x 3/4"	Boulon à carrosserie 5/16" n.c. x 3/4"	3	O/L
29	Carriage bolt 5/16" n.c. x 1"	Boulon à carrosserie 5/16" n.c. x 1"	2	O/L
30	Cotter pin 5/32" x 1"	Goupille fendue 5/32" x 1"	1	O/L
31	Nylon Insert lock Nut 1/2" n.c.	Écrou à garniture de nylon 1/2" n.c.	2	O/L
32	Flange nut 3/8" n.c.	Écrou à bride 3/8" n.c.	2	O/L
33	Flange nut 5/16" n.c.	Écrou à bride 5/16" n.c.	13	O/L
34	Hex. nut 5/8" n.c.	Écrou hex. 5/8" n.c.	2	O/L
35	Nylon insert lock nut 5/8" n.c.	Écrou à garniture de nylon 5/8" n.c.	2	O/L
36	Lock washer 5/8"	Rondelle de blocage 5/8"	2	O/L
37	Tie wrap 8"	Attache de nylon 8"	2	O/L

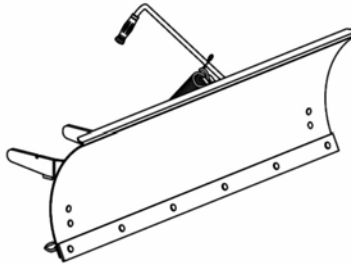
O/L = Obtain locally/ obtenir localement

# ATTACHMENTS



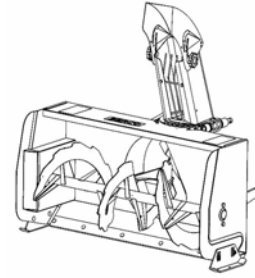
**ROTARY TILLER #700312**

Mounts to the rear of lawn, yard & garden tractors 14 to 25 HP. Comes complete with drive & manual lift mechanisms & mounting hardware.



**UTILITY BLADE #700266  
UTILITY BLADE 700463**

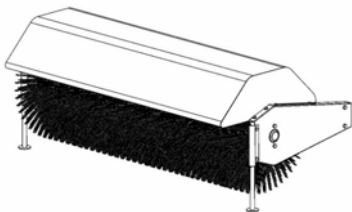
Mounts on the same subframe as the snowblower & rotary broom.



**SNOWBLOWER**

#700255-40"  
#700374-44"  
#700378-48"

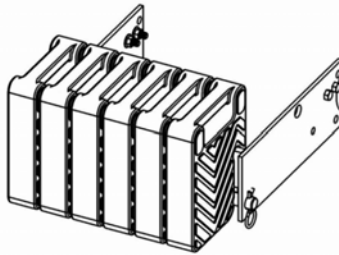
Fits on same subframe as rotary broom and utility blade.



**ROTARY BROOM**

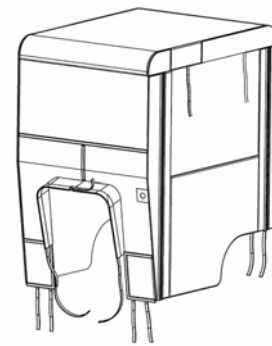
#700380 with nylon brush  
#700381 with polypropylene brush.

Fits on same subframe as snowblower & utility blade. Requires an adaptor.



**COUNTERWEIGHT**

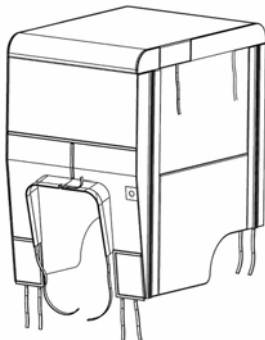
#700240 Universal rear weights  
#700246 Rear weights Electrolux  
#700444 Rear weights for MTD  
Required for safety and traction. Counterbalances weight of attachment.



**TRACTOR WINTER CAB**

#700271  
#700423

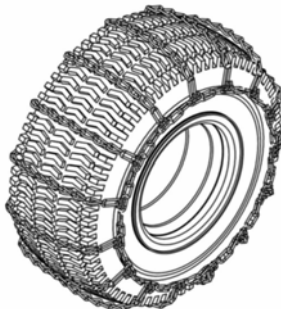
Universal type fits on a wide variety of lawn and garden tractors.



**TRACTOR SCREEN CAB**

#700313  
#700424

Universal type fits on a wide variety of lawn and garden tractors.



**TIRE CHAINS**

Two link spacing. Required for traction and safety.

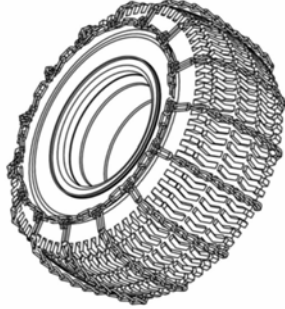
Pkg. of 2



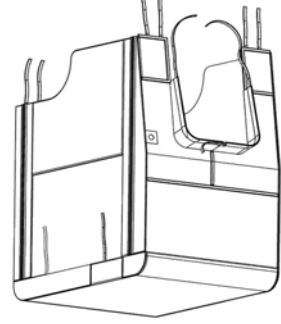




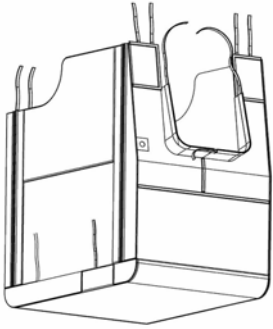
**CHAÎNES À PNEUS**  
 Deux mailles d'espacement.  
 Requis pour meilleur traction et  
 Ens. de 2



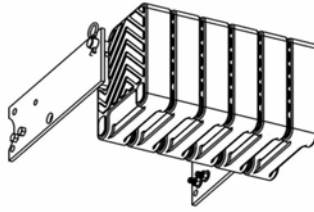
**CABINE MOUSTIGUAIRE POUR TRACTEUR**  
 #700424  
 %700313  
 Type universel qui s'adapte sur la plupart des tracteurs de jardin & pelouse.



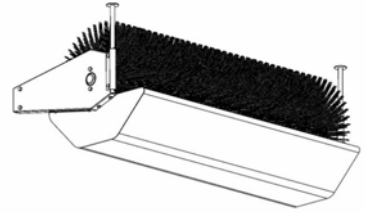
**CABINE D'HIVER POUR TRACTEUR**  
 #700271  
 #700423  
 Type universel qui s'adapte sur la plupart des tracteurs de jardin & pelouse.



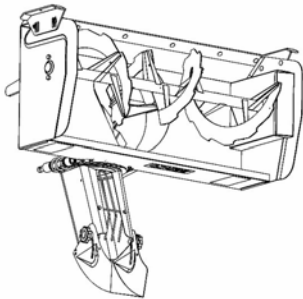
**CONTREPOIDS**  
 #700240 contrepois arrières universels  
 #700246 contrepois arrières Electrolux  
 #700444 contrepois arrières MTD  
 Requis pour une plus grande sécurité et une meilleure traction.  
 Contrebalance le poids des accessoires.



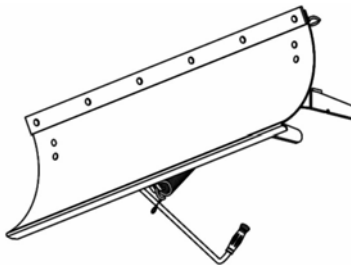
**BALAI ROTATIF**  
 #700380 avec brosse de nylon.  
 #700381 avec brosse polypropylène.  
 Se monte sur le même sous-châssis que la souffléuse et la lame utilitaire.  
 Requier un adaptateur.



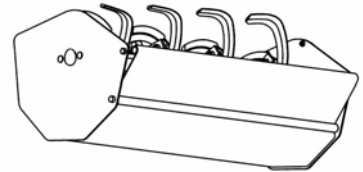
**SOUFFLEUSE**  
 #700255 40"  
 #700374 44"  
 #700378-48"  
 S'installe sur le même sous-châssis que le balai rotatif et la lame utilitaire.



**LAME UTILITAIRE #700266**  
**LAME UTILITAIRE #700463**  
 S'installe sur le même sous-châssis que la souffléuse & balai rotatif.



**ROTOCULTEUR #700312**  
 S'installe à l'arrière des tracteurs de pelouse, cours & jardin de 14 à 25 cv. Inclus le mécanisme d'entraînement & de relavage manuel ainsi que le nécessaire de montage.



**ACCESSOIRES**



# ENTRETIEN

## ENTRETIEN

## REMPLACEMENT DE LA COURROIE

### Courroie du mécanisme d'entraînement:

Démonter le mécanisme d'entraînement.  
Enlever le boulon qui retient la poulie de tension.  
Remplacer la courroie et réinstaller la poulie. Avant de serrer, assurez-vous que le guide courroie soit placé de façon à ce qu'en aucun temps il ne touche à la courroie.  
Réinstaller le mécanisme d'entraînement.

a) Vérifiez les boulons de montage fréquemment afin de prévenir une réparation coûteuse. Assurez-vous que votre accessoire est en condition de travailler sécuritairement.

b) Lubrifiez tous les points pivotants.

## DÉMONTAGE DU MÉCANISME D'ENTRAÎNEMENT

VOIR: LE MANUEL DU PROPRIÉTAIRE DE L'ACCESSOIRE (SOUFFLEUSE, BALAI ET LAME) POUR LES INSTRUCTIONS DE DÉMONTAGE.

a) Nettoyez et peignez toutes les surfaces où la peinture a été utilisée.  
b) Huilez tous les points pivotants.  
c) Inspectez et remplacez toutes les pièces défectueuses avant la prochaine utilisation.

a) Démontez l'accessoire.  
b) Enlevez les contrepois arrière lorsque vous enlevez l'accessoire.

c) Démontez le mécanisme d'entraînement en le supportant et enlever les deux goupilles à ressort et les goupilles. Baissez avec précaution au sol. Démontez la courroie de la poulie du moteur.

Embrayage manuel activé par câble:  
Décrochez l'enveloppe du câble en enlevant la goupille à ressort et décrocher le ressort. Retirer le mécanisme d'entraînement en dessous du tracteur.



d) Vous pouvez laisser le sous-châssis sur le tracteur en permanence ou l'enlever si vous préférez.

e) Installez la tondeuse si requis.

# ASSEMBLAGE

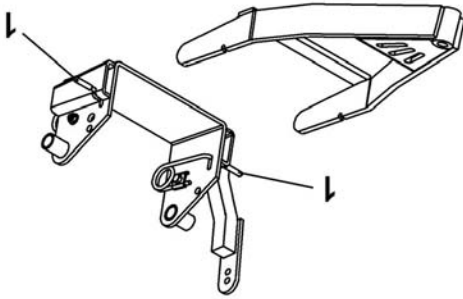
## INSTALLATION DE LA LAME:

Référez-vous au manuel du propriétaire de la lame, section nomenclature des pièces pour leur identification.

	ATTENTION	
<p><b>POUR VOTRE SÉCURITÉ:</b> Lisez le manuel du propriétaire de la lame pour prendre connaissance des précautions sécuritaires et consignes de sécurité. Suivre attentivement les instructions d'assemblage et d'opération.</p>		

Attacher la lame au sous-châssis tel qu'illustré.

Assurez-vous que la lame est bien insérée jusqu'à ce que les ressorts (item 1) la bloquent bien en place.

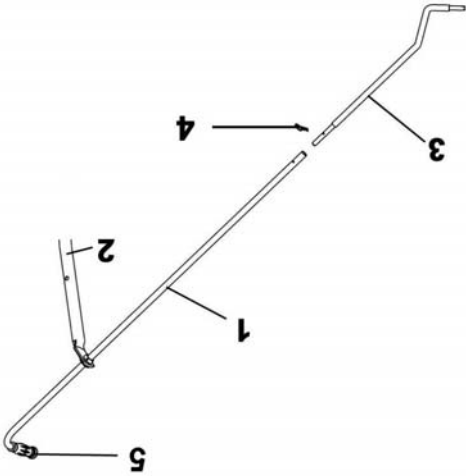


Installer la lame

Insérer la poignée de plastique (item 5) sur la manivelle (item 1).

Insérer la manivelle (item 1) dans le support (item 2) tel qu'illustré.

Installer la manivelle sur la tige de contrôle (item 3) tel qu'illustré et sécuriser avec une goupille de 2,5 mm (item 4).



Installer la manivelle

## VÉRIFIER LA PRESSION DES PNEUS:

Vérifier et régler la pression des pneus comme suit:

Pneus avant: Maximum du fabricant des pneus  
Pneus arrière: 7-8 psi

La pression des pneus doit être égale des deux côtés du tracteur.

# ASSEMBLAGE

## VÉRIFIER LE CHEMIN DE LA COURROIE:

-Abaisser le balai rotatif au sol et faire tourner pendant quelques secondes sous supervision.  
-Débrayer le balai rotatif et arrêter le moteur.  
-Vérifier si les courroies sont bien insérées dans les poulies et qu'elles ne soient pas tournées sur le côté et ne touchent pas aux guide-courroies.

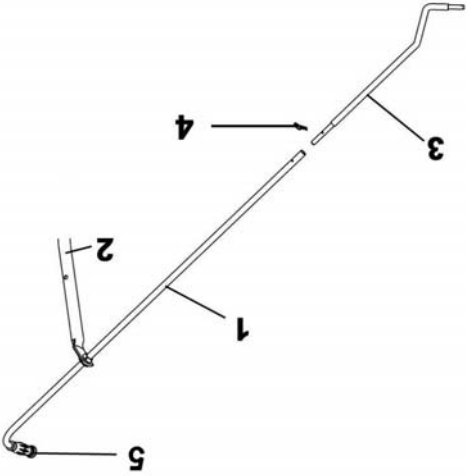
## ATTENTION

**POUR PRÉVENIR LES BLESSURES:**  
C'est la responsabilité de la personne qui effectue l'installation du mécanisme d'entraînement de s'assurer que lorsqu'on débraye l'embrayage toutes les pièces mobiles s'arrêtent.  
Pour de plus amples informations, n'hésitez pas à contacter le support technique.

Insérer la poignée de plastique (item 5) sur la manivelle (item 1).

Insérer la manivelle (item 1) dans le support (item 2) tel qu'illustré.

Installer la manivelle sur la tige de contrôle (item 3) tel qu'illustré et sécuriser avec une goupille de 2,5 mm (item 4).



Installer la manivelle

## VÉRIFIER LA PRESSION DES PNEUS:

Vérifier et régler la pression des pneus comme suit:

Pneus avant: Maximum du manufacturier des pneus  
Pneus arrière: 7-8 psi

La pression des pneus doit être égale des deux côtés du tracteur.

# ASSEMBLAGE

## INSTALLATION DU BALAI ROTATIF:

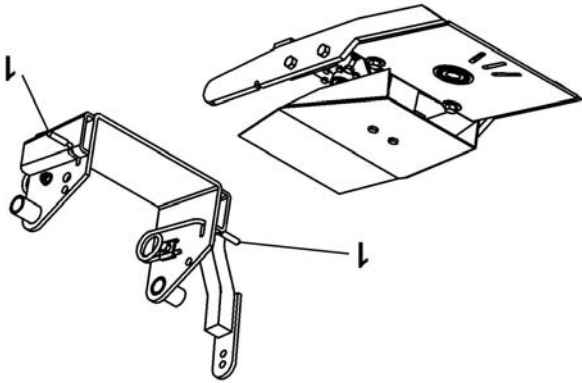
Référez-vous au manuel du propriétaire du balai rotatif, section nomenclature des pièces pour leur identification .

**ATTENTION**

**POUR VOTRE SÉCURITÉ:**  
Lisez le manuel du propriétaire du Balai Rotatif pour prendre connaissance des précautions sécuritaires et consignes de sécurité.  
Suivre attentivement les instructions d'assemblage et d'opération.

Attacher le balai rotatif au sous-châssis tel qu'illustré.

Assurez-vous que le balai rotatif est bien inséré jusqu'à ce que les ressorts (item 1) le bloque bien en place.



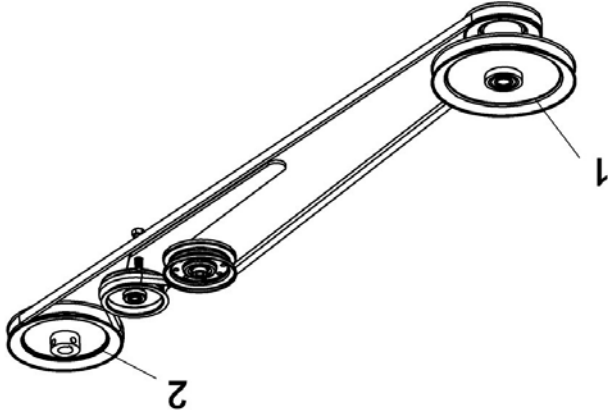
Installer le balai rotatif

## INSTALLATION DE LA COURROIE

**NOTE:** Voir les instructions pour le remplacement de la courroie dans la section "Entretien" du manuel du balai rotatif.

Enlever le garde-courroie.  
Installer la courroie sur la poulie du mécanisme d'entraînement (item 1) tel qu'illustré.  
Réinstaller le garde-courroie.

**TRUC:** Dû à l'utilisation d'un ressort à forte tension et pour faciliter l'installation de la courroie, le balai rotatif doit être au sol et la courroie retirée de la poulie du moteur.



Item 1 : Poulie du mécanisme d'entraînement  
Item 2 : Poulie du balai rotatif

Installer de la courroie

**ATTENTION**



**POUR PRÉVENIR DES BLESSURES:**

Arrêtez le moteur.  
Appliquez le frein de stationnement.  
Enlevez la clé du contact.  
Débranchez le fil de la ou des bougie(s) et gardez-le éloigné de la ou des bougie(s) pour prévenir un démarrage accidentel.

# ASSEMBLAGE

## VERIFIER LE CHEMIN DES COURROIES:

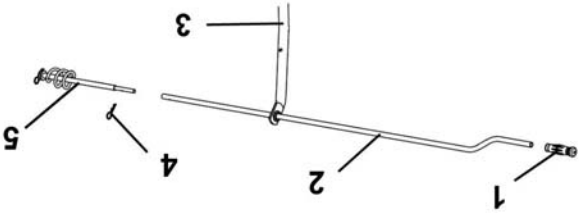
- Abaisser la souffluse au sol et faites-la tourner pendant quelques secondes sous supervision.
- Débrayer la souffluse et arrêter le moteur.
- Enlever le garde-courroie.
- Vérifier que les courroies sont bien insérées dans les poulies et qu'elles ne soient pas tournées sur le côté.
- et ne touchent pas aux guide-courroies.
- Réinstaller le garde-courroie

	<b>ATTENTION</b>	
<p><b>POUR PRÉVENIR LES BLESSURES:</b> C'est la responsabilité de la personne qui effectue l'installation du mécanisme d'entraînement de s'assurer que lorsqu'on débraye l'embrayage toutes les pièces mobiles s'arrêtent.</p> <p>Pour de plus amples informations, n'hésitez pas à contacter le support technique.</p>		

Insérer la poignée de plastique (item 1) sur la manivelle (item 2).

Insérer la manivelle (item 2) dans le support (item 3) tel qu'illustré.

Insérer la manivelle (item 2) sur la spirale de rotation (item 5) et sécuriser avec une goupille à ressort de 2.5 mm (item 4)



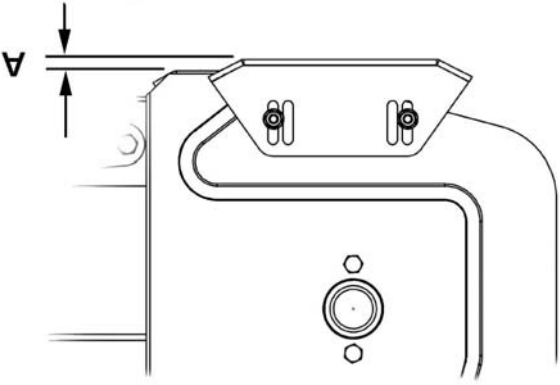
Installer la manivelle

## VERIFIER L'AJUSTEMENT DES PATINS:

**SURFACE PAVÉE:** Ajuster les patins pour obtenir de 3/16" à 1/4" de dégagement (A) entre le racloir et la surface.  
**SURFACE INÉGALE OU DE GRAVIER:** Ajuster les patins pour obtenir de 1/2" à 5/8" de dégagement (A) entre le racloir et la surface.

## VERIFIER LA PRESSION DES PNEUS:

Vérifier et régler la pression des pneus comme suit:  
Pneus avant: Maximum du manufacturier des pneus  
Pneus arrière: 7-8 psi  
La pression des pneus doit être égale des deux côtés du tracteur.





Ajuster les patins

# ASSEMBLAGE

## ÉTAPE 5

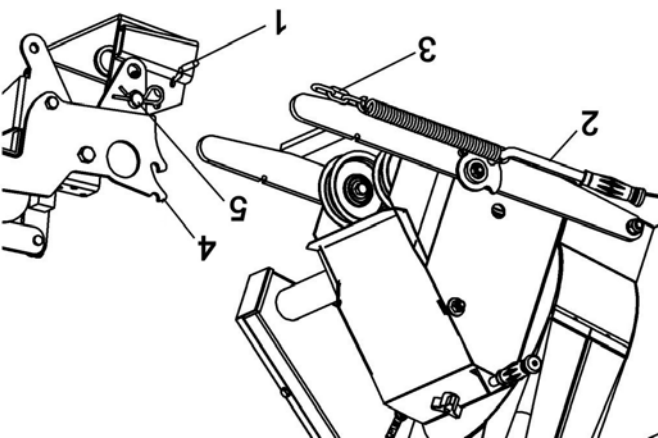
### INSTALLATION DE LA SOUFFLEUSE:

Référez-vous au manuel du propriétaire de la souffeuse, section nomenclature des pièces pour leur identification.

	<b>ATTENTION</b>	
---	------------------	---

**POUR VOTRE SÉCURITÉ:**  
Lisez le manuel du propriétaire de la souffeuse pour prendre connaissance des précautions sécuritaires et consignes de sécurité. Suivre attentivement les instructions d'assemblage et d'opération.





Attacher la souffeuse au sous-châssis tel qu'illustré. Assurez-vous que la souffeuse est bien insérée jusqu'à ce que les ressorts (item 1) la bloque bien en place.  
Lever la souffeuse en tirant le bras de relevage. Tourner le bras de tension (item 2) vers l'arrière. Accrocher la chaîne (item 3) (du ressort d'assistance au relevage), au doigt (item 4) sur le support gauche à cet effet. Utiliser le doigt du haut (item 4) si le support de pivot est dans le trou du haut (item 5). Tourner le bras de tension vers l'avant pour appliquer la tension sur le ressort.  
Abaisser la souffeuse.

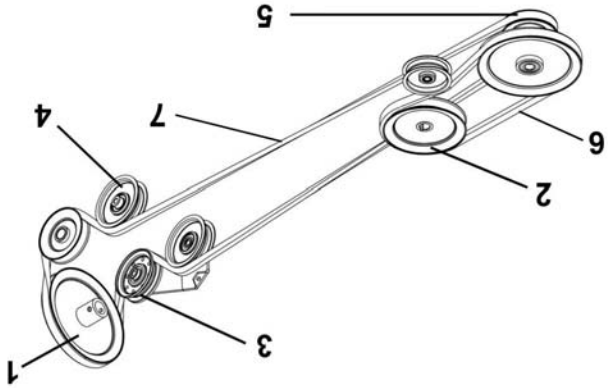


Installer la souffeuse et le ressort d'assistance au relevage

### INSTALLATION DES COURROIES

Enlever le garde-courroie.  
Installer la courroie sur les poulies de la souffeuse tel qu'illustré.  
Installer la courroie sur la poulie du mécanisme d'entraînement (item 5) sous le tracteur.  
Appliquer de la tension sur la courroie en levant le bras de tension.  
Réinstaller le garde-courroie.  
**NOTE:** Voir les instructions pour le remplacement des courroies dans la section "Entretien" du manuel de la souffeuse.

	<b>PRÉCAUTIONS</b>	
Le bras de tension de la courroie et du ressort d'assistance au relevage doivent être tenu fermement lorsque vous déplacez le bras afin de prévenir des blessures.		
	<b>PRÉCAUTIONS</b>	
Ne jamais utiliser la souffeuse sans le garde-courroie.		



Item 1: Poulie de la souffeuse  
Item 2: Poulie du moteur du tracteur  
Item 3: Poulie plate gauche  
Item 4: Poulie plate droite  
Item 5: Poulie du mécanisme d'entraînement  
Item 6: Courroie du mécanisme d'entraînement  
Item 7: Courroie de la souffeuse.

Installer la courroie et le garde-courroie

# ASSEMBLAGE

## ÉTAPE 4

### INSTALLATION DU MÉCANISME D'ENTRAÎNEMENT:

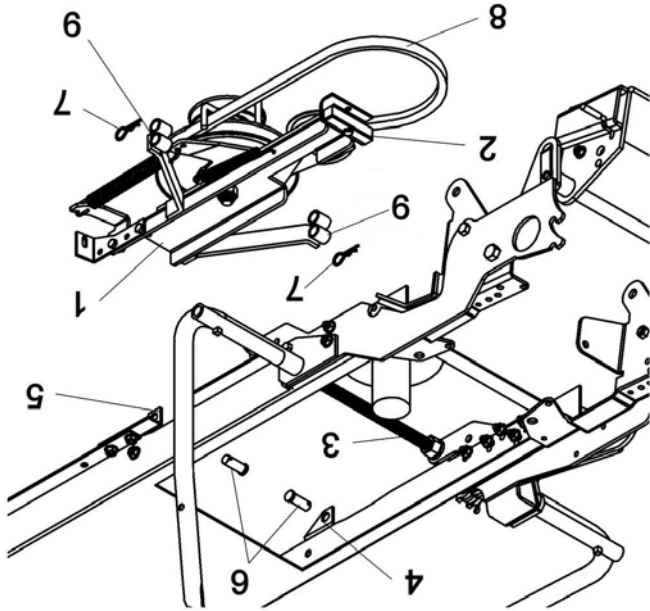
**NOTE:** Vous devez enlever la tondeuse pour installer le mécanisme d'entraînement.

Installer le mécanisme d'entraînement (item 1) en accrochant la partie avant du châssis d'entraînement (item 2) sur la tige fileté (item 3).

Installer la courroie (item 8) sur la poulie du moteur .

Lever et attacher la partie arrière du châssis d'entraînement entre les supports (items 4 & 5) en insérant une goupille (item 6) dans les tubes du haut (item 9) de chaque côté.

Sécuriser avec deux goupilles à ressort de 2,5 mm (item 7).



**POUR PRÉVENIR LES BLESSURES:**  
C'est la responsabilité de la personne qui effectue l'installation du mécanisme d'entraînement de s'assurer que lorsqu'on débraye l'embrayage toutes les pièces mobiles s'arrêtent.  
Pour de plus amples informations, n'hésitez pas à contacter le support technique.



**ATTENTION**



### VERIFICATION DE L'ALIGNEMENT DE LA COURROIE:

Assurez-vous que la poulie du mécanisme d'entraînement (item 1) est alignée avec la poulie du moteur (item 2). Un décalage de 1/4" est acceptable. Si l'alignement doit être revue, retirer le mécanisme d'entraînement.

Retirer le boulon hex. 1/4" x 3/4" (item 3) retenant la cale (item 4) qui en position haute.

Placer la cale en position basse (figure A) et serrer fermement avec le boulon hex. 1/4" x 3/4".

Remettre le mécanisme d'entraînement en place en utilisant cette fois les tubes du bas (item 5).

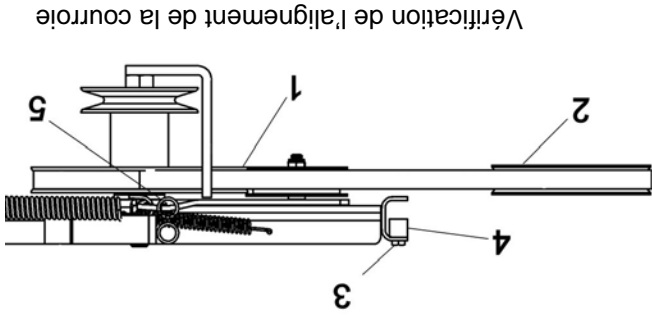


Figure A  
Cale en position basse

# ASSEMBLAGE

## NOTES:

1) Ce mécanisme d'entraînement peut être installé sur des tracteurs munis de deux types d'embrayage. Voir le tableau et les instructions ci-dessous correspondants à votre tracteur.

2) La tondeuse doit être retirée pour pouvoir installer / utiliser le système d'entraînement.

**NOTE:** Le mécanisme d'entraînement doit être au niveau pour assurer le bon fonctionnement de la courroie.

**TRACTEUR À EMBRAYAGE ÉLECTRIQUE:**  
Aucune modification n'est requise sur le châssis d'entraînement.

## TRACTEUR À EMBRAYAGE MANUEL ACTIF PAR UN CÂBLE:

Enlever le ressort (item 1) installé dans les trous du bras de tension (item 2) et du châssis d'entraînement (item 3).

Relier le ressort du câble (item 4) du tracteur au bras de tension.

Couper l'attache de nylon qui retient le câble au châssis.

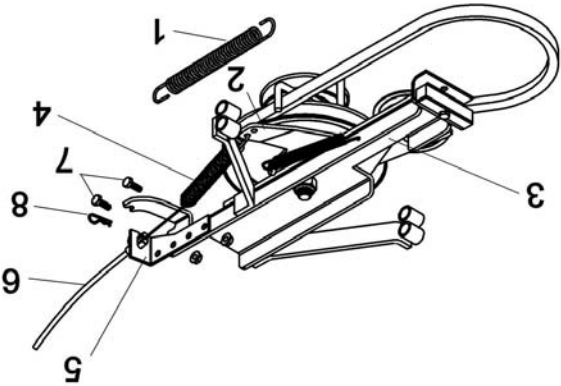
**NOTE:** Selon le modèle de la tondeuse, le câble a plusieurs longueurs différentes. Pour déterminer où placer la fixation du câble (item 5), accrocher l'extrémité du ressort du câble (item 4) sur le bras de tension (item 2).

Glisser l'enveloppe du câble (item 6) temporairement dans la rainure de la fixation du câble.

Pour identifier dans quel trou la fixation du câble doit être boulonnée sur le châssis d'entraînement, vous devez appliquer une légère tension sur le câble. Cet ajustement doit être effectué avec le bras d'embrayage en position débrayée.

Enlever l'enveloppe du câble et sécuriser la fixation du câble sur le châssis en utilisant deux boulons hex. de 1/4 x 3/4" (item 7) et écrous à bride.

Reinstaller l'enveloppe du câble dans la fixation du câble et sécuriser avec une goupille à ressort 2mm (item 8).



Installer la fixation du câble



# ASSEMBLAGE

## ETAPE 3 PRÉPARATION DU MÉCANISME D'ENTRAÎNEMENT:

### PRÉPARATION DU TRACTEUR:

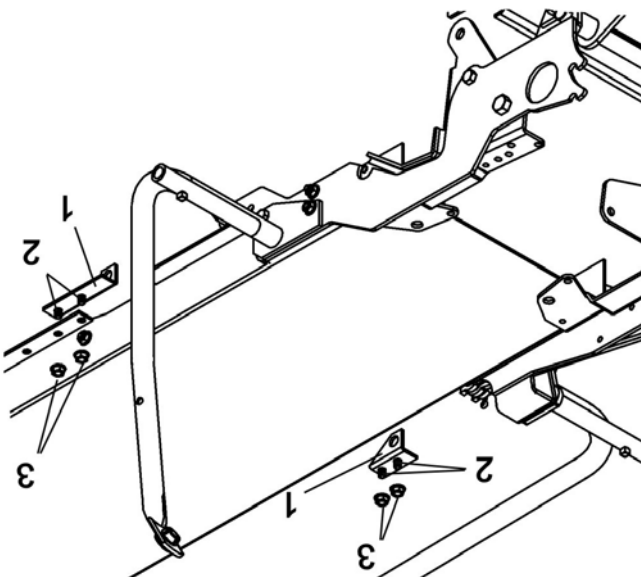
(Se référer au manuel du tracteur pour identifier les pièces à retirer). Retirer la tondeuse et le support de stabilisation du plateau de coupe.

### INSTALLATION DES SUPPORTS:

#### Tracteur à Embrayage Electrique:

Fixer un support (item 1) de chaque côté du châssis du tracteur avec deux boulons hex. 5/16" x 1/2" (item 2, les têtes vers le bas) et deux écrous à bride 5/16" (item 3).

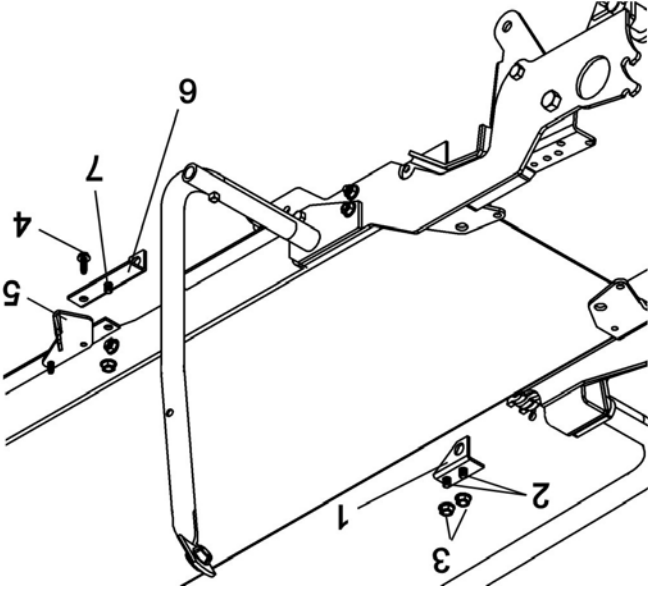
Serrer fermement.



#### Tracteur à Embrayage Manuel:

Fixer le support droit (item 1) avec deux boulons hex. 5/16" x 1/2" (item 2, têtes en dessous) et deux écrous à bride 5/16" (item 3). Serrer fermement.

Enlever la vis en avant (item 4) qui retient le support de câble (item 5).  
Fixer l'avant du support gauche (item 6) avec un boulon hex 5/16" x 1/2" (item 7, tête en dessous) et un écrou à bride.  
Fixer l'arrière du support gauche et l'avant du support de câble avec la vis (item 4) retirée précédemment.  
Serrer fermement.



Installation des supports (Embrayage Manuel).

Installation des supports (Embrayage électrique).

# ASSEMBLAGE

## SYSTÈME DE RELEVAGE:

Glisser le lien (item 1) à l'intérieur de la boîte (item 2) du support droit.

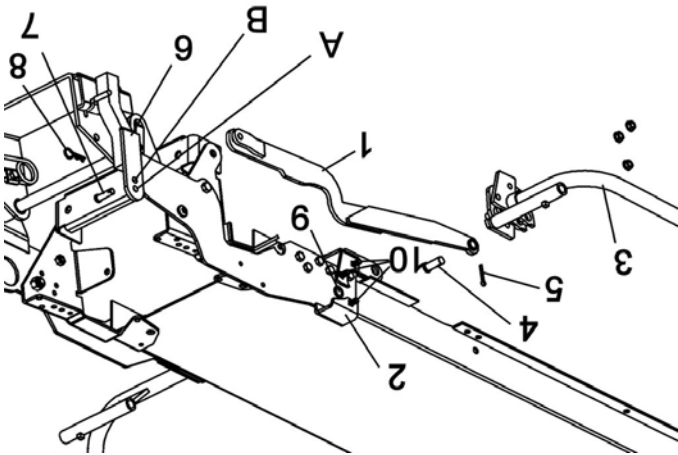
Sécuriser le lien au bras de relevage (item 3) à l'aide d'une goupille de relevage (item 4), et d'une goupille fendue 1/8" x 3/4" (item 5).

Insérer le bras de relevage (item 3) dans le coussinet (item 9; section de la pièce) du support.

Sécuriser en place le support de cabine avec trois boulons à carrosserie 5/16" x 3/4" (item 10) et écrous à bride. Serrer fermement.

Sécuriser le lien au support de pivot (item 6) à l'aide d'une goupille de relevage (item 7) et d'une goupille à ressort 2,5 mm (item 8) dans le trou indiqué dans le tableau suivant:

Pneus avant	Trou du support de pivot
16" x 7,5" ou plus gros	"A"
Autres	"B"



Installer le système de relevage et lien.

## INSTALLATION DE LA TIGE FILETÉE:

Visser un écrou hex. 5/8" (item 1) et une rondelle de blocage 5/8" (item 3) à chaque extrémité de la tige filetée (item 2).

Insérer la tige filetée dans les trous arrière (item 5) des support gauche et droit.

Visser un écrou à garniture de nylon 5/8" (item 4) à chaque extrémité de la tige filetée.

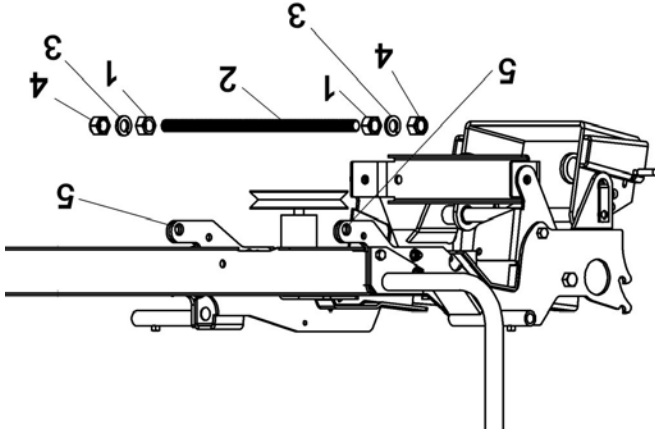
Serrer fermement.

### Facon de faire:

Il peut être difficile de serrer les quatre écrous. Pour ce faire, bloquer en place la tige filetée avec des pinces-étaux ("Vise Grip").

Serrer un des écrous à garniture de nylon, puis l'écrou hex. qui est du même côté.

Retirer les pinces étaux et complétez le serrage.



Installation de la tige filetée.

# ASSEMBLAGE

## SUPPORT DE PIVOT:

Tourner les roues avant vers la gauche.  
 Installer le support de pivot (item 1) entre les deux supports (items 2 & 3) et glisser en place la goupille (item 4) dans les trous requis.  
 Voir tableau pour la position requise.

Pneus avant	Essieu Distance à mesurer Figure A	Trou dans les supports (item 2 & 3)
15" x 6.5" ou plus petit	1 3/4"	Haut
15" x 6.5" ou plus petit	2 7/8"	Bas
16" x 7.5"	2 7/8"	Bas

Insérer la partie pliée (item 5) de la goupille dans le trou restant du support droit pour bloquer la goupille en place.  
 Serrer fermement tous les boulons et écrous des 2 côtés.

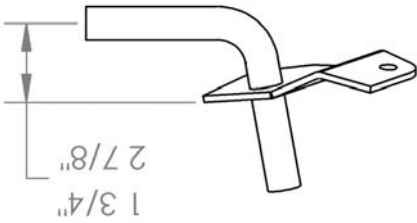


Figure A

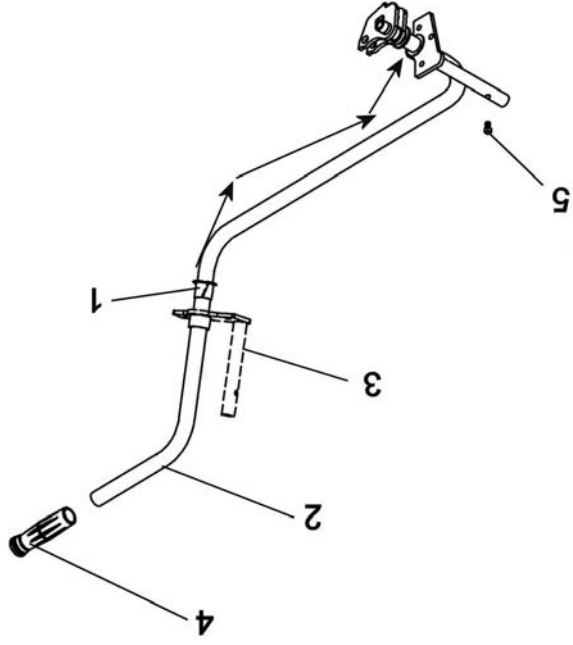
## BRAS DE RELEVAGE:

Insérer le coussinet de nylon (item 1) le long du bras de relevage (item 2) jusqu'à son extrémité.

Glisser le support de la cabine (item 3) le long du bras de relevage (item 2) jusqu'à son extrémité et par-dessus le coussinet de nylon.

Installer la poignée de plastique (item 4) sur le bras de relevage tel qu'illustré.

Visser une vis à pression carrée 5/16" x 1/2" (item 5) dans le support de cabine.

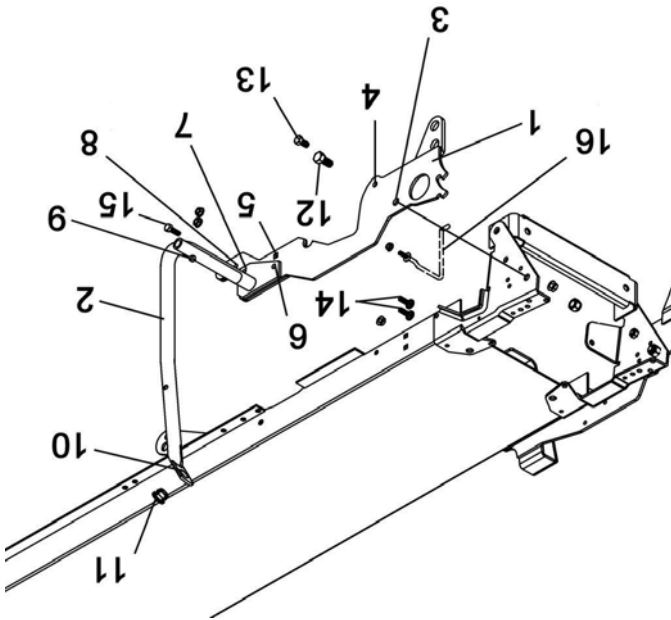


Assembler le bras de relevage

# ASSEMBLAGE

**SUPPORT GAUCHE ET SUPPORT DE MANIVELLE:**  
 Installer le support gauche (item 1) et le support de manivelle (item 2). Le tableau identifie la boulonnerie et les pièces à installer en fonction des trous du châssis du tracteur. Bien que certains trous n'existent pas sur certains modèles de tracteurs, **utilisez le maximum de trous & de boulons possibles afin d'assurer la solidité de l'ensemble.** Vous pouvez percer les trous manquants dans le châssis du tracteur si nécessaire.

B. à carr. = boulon à carrosserie; Tête vers l'intérieur  
 B. hex = boulon hexagonal; Tête vers l'extérieur.



Installer le support gauche et le support de manivelle

Trou #	Boulonnerie à installer	Pièce à installer
3	B. hex. 1/2" x 1" & (item 12) & Ecrus à garniture de nylon 1/2".	Aucune
4	B. hex. 3/8" x 1" & (item 13) & Ecrus à bride 3/8".	Aucune
5	B. à carr. 5/16 x 1" & (item 14) & Ecrus à bride 5/16" (VOIR NOTE 2)	Tige de garde de la courroie (item 14) & Ecrus à bride 5/16" (item 16; si retirée précédemment)
6	B. à carr. 5/16 x 1" & (item 14) & Ecrus à bride 5/16"	Support de manivelle (item 2)
7	B. hex. 5/16" x 1" & (item 15) & Ecrus à bride 5/16".	Support de manivelle (item 2)
8	Aucune	Attache de nylon (pour fil électrique)
9	Vis à pression à tête carrée 5/16" x 1/2"	Aucune
10	Aucune	Oeillet de plastique (item 11)

## NOTES:

1. Tourner les roues vers la droite facilite l'installation pour les tracteurs avec des roues de 16".
2. Si le tige de garde doit être remis en place dans le trou no. 5, ne pas utiliser le boulon à carrosserie, mais seulement l'écrus à bride.

Ne serrer ni les vis ni les écrous.

# ASSEMBLAGE

## ÉTAPE 2

### INSTALLATION DU SOUS-CHÂSSIS

#### SUPPORT DROIT:

Installer le support droit (item 1) sur le côté droit du tracteur. Le tableau identifie la boulonnerie et les pièces à installer en fonction des trous du châssis du tracteur. Bien que certains trous n'existent pas sur certains modèles de tracteurs, **utilisez le maximum de trous et de boulons possibles afin d'assurer la solidité de l'ensemble.** Vous pouvez percer les trous manquants dans le châssis du tracteur si nécessaire.

B. hex = boulon hexagonal, Tête vers l'extérieur.

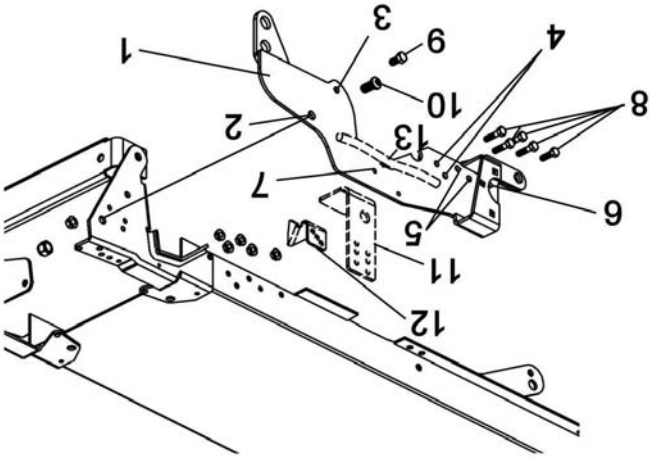
Trou #	Boulonnerie à installer	Pièce à installer (si retirée précédemment)
2	B. hex. 1/2" x 1" & (item 10) & Ecrou à garniture de nylon 1/2".	Aucune
3	B. hex. 3/8" x 1" & (item 9) & Ecrou à bride 3/8".	Aucune
4	B. hex. 5/16" x 1" & (item 8) & Ecrou à bride 5/16".	Butée du plateau de coupe (item 11)
5	B. hex. 5/16" x 1" & (item 8) & Ecrou à bride 5/16".	Support de l'embrayage (item 12)
6	B. hex. 5/16" x 1" & (item 8) & Ecrou à bride 5/16".	Aucune
7	Aucune	Attache de nylon retenant le fil électrique (item 13)

#### NOTES:

1. Tourner les roues vers la gauche facilite l'installation pour les tracteurs avec des roues de 16".

Ne serrer ni les vis ni les écrous.

Installer support droit.



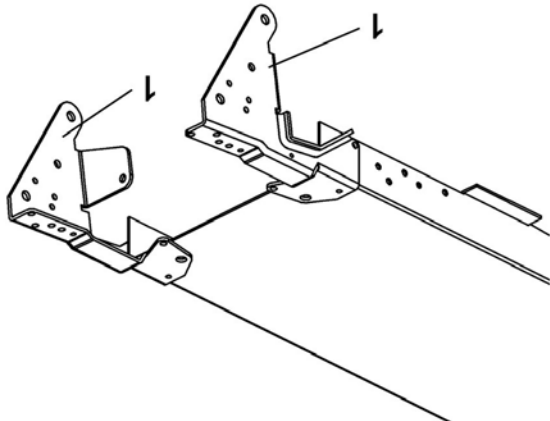
# ASSEMBLAGE

IMPORTANT: SERRER TOUS LES BLOUS SELON LA TABLE DE SPÉCIFICATION DE COUPLE ("SERREZ FERMEMENT", RÉFÉREZ-VOUS À LA SECTION NOMENCLATURE DES PIÈCES POUR IDENTIFICATION DES PIÈCES).

**NOTE:** Ce sous-châssis a été conçu de façon à être installé sur un tracteur comportant le châssis avant illustré (item 1, supports boulonnés).

Ce sous-châssis peut servir pour installer différents accessoires (voir page des accessoires). Une fois installé, il peut demeurer en permanence sur votre tracteur. Avant de faire des modifications ou installations sur le tracteur, ouvrir le capot du tracteur, débrancher les lumières. Débrancher le fil de la ou des bougie(s) et garder-le éloigné de la ou des bougie(s) afin de prévenir des démarrages accidentels.

Châssis avant du tracteur



## ÉTAPE 1

### PRÉPARATION DU TRACTEUR:

**NOTES:** Il n'est pas nécessaire d'enlever la tondeuse à cet étape.

### CÔTÉ DROIT:

Dévisser / retirer les pièces suivantes si elles sont présentes: butée du plateau de coupe (item 1) support de l'embrayage (item 2) et l'attache de nylon retenant les fils électrique (item 3) au dessus de l'essieu avant. Percer à un diamètre de 11/32" les trous utilisés sur la butée du plateau de coupe et sur le support de l'embrayage.

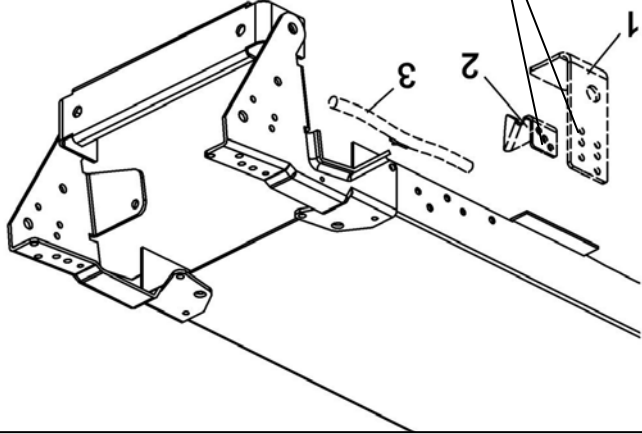
Pour permettre l'installation des supports du sous-châssis, il peut être nécessaire d'enlever certaines autres pièces.

**NOTE:** Remarque: l'endroit et de quelle façon les boulons ou les pièces étaient installés afin de pouvoir les réinstaller de la même façon et au même endroit. S'il y a lieu, assurez-vous que le guide-courroie ne touche aucune pièces lors de la réinstallation.

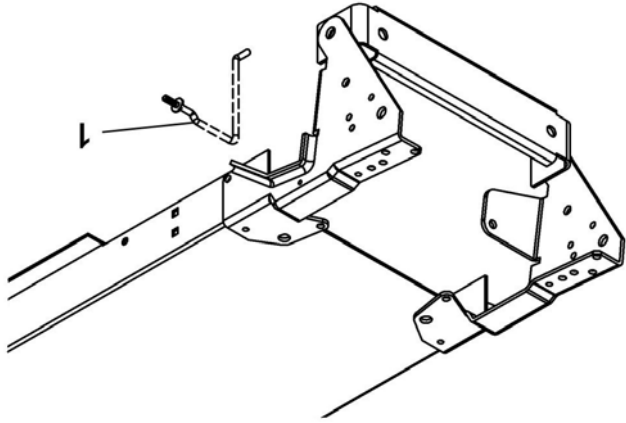
### CÔTÉ GAUCHE:

Dévisser / retirer la tige de garde de la courroie (item 1, si présente). Couper l'attache de nylon retenant le fils électrique à l'avant du marchepieds.

Côté droit du châssis du tracteur



Côté gauche du châssis du tracteur



# PRÉCAUTIONS SÉCURITAIRES

## OPÉRATION:

1. Ne mettez jamais vos mains ou pieds près, sous ou à l'intérieur des pièces rotatives.
2. Soyez prudent lorsque vous êtes sur ou que vous traversez les entrées en gravier, trottoirs, ou chemins. Redoublez de vigilance face aux dangers cachés ou au trafic. Ne transporter jamais de passager.
3. Après avoir heurté un objet étranger, arrêtez le moteur, débranchez le fil de la ou des bougie(s) et gardez-le éloigné de la ou des bougie(s) pour prévenir un démarrage accidentel (si applicable au véhicule et à l'accessoire). Inspectez l'accessoire pour tout dommage et réparez-le avant de redémarrer et d'utiliser l'accessoire.
4. Si l'unité commence à vibrer anormalement, arrêtez le moteur et vérifiez la cause immédiatement. Les vibrations sont généralement signe de problèmes.
5. Prenez toutes les précautions nécessaires lorsque vous quittez votre véhicule: abaissez et débrayez l'accessoire, placez la transmission en position neutre, appliquez le frein de stationnement, arrêtez le moteur et enlevez la clé d'ignition.
6. Ne faites pas tourner le moteur à l'intérieur, excepté pour démarrer, entrer ou sortir du bâtiment. Ne pas opérer ou faire tourner le moteur dans un endroit sans ventilation car l'essence contient du monoxyde de carbone qui est sans odeur, sans couleur et peut causer la mort.
7. Ne jamais nettoyer la neige sur la façade d'une pente; aller de haut en bas. Soyez extrêmement prudent quand vous opérez l'équipement dans une pente. Ne pas tenter de déblayer une pente abrupte.
8. Ne jamais utiliser l'accessoire sans que les écrans protecteurs et les dispositifs de sûreté soient bien en place.
9. Ne tolérer jamais personne dans la zone de travail. Ne jamais utiliser l'accessoire en direction des gens, il peut projeter des cailloux, des débris qui peuvent blesser les gens ou endormir les biens.
10. Ne jamais opérer l'accessoire à haute vitesse sur les surfaces glacées. Regarder vers l'arrière et soyez prudent lorsque vous reculez.
11. Ne jamais transporter de passager.
12. Débrayez le pouvoir de l'accessoire lorsqu'il doit être transporté ou qu'il n'est pas utilisé.

## ENTRETIEN ET ENTREPOSAGE:

1. Lorsque vous nettoyez, dégagez réparez ou inspectez le véhicule et l'accessoire soyez assuré que toutes les pièces rotatives sont arrêtées. Débranchez le fil de la ou des bougie(s) et gardez-le éloigné de la ou des bougie(s) afin de prévenir des démarrages accidentels.
2. Vérifiez tous les boulons à intervalles fréquents pour s'assurer qu'ils soient bien serrés et que l'accessoire soit en mesure de fonctionner sécuritairement.
3. Ne jamais entreposer un accessoire motorisé avec de l'essence dans le réservoir à l'intérieur d'une bâtisse ou il y a des sources d'ignition comme des réservoirs d'eau chaude, sècheuses, source de chaleur, etc... Laisser refroidir le moteur avant de l'entreposer à l'intérieur.
4. Toujours se référer au manuel du propriétaire concerné lorsque vous entreposez l'accessoire et le véhicule pour une période prolongée ou indéterminée.
5. Maintenir ou remplacez les décalques de sécurité et d'instructions au besoin.
6. Pour les accessoires hivernaux, faire tourner l'accessoire (si applicable) pendant quelques minutes après avoir déblayé la neige pour prévenir le gel des pièces rotatives.
7. Inspectez le filtre à air du véhicule et de l'accessoire chaque jour. Nettoyez-le ou remplacez-le au besoin. Changez l'huile plus fréquemment lorsque vous travaillez dans des conditions poussiéreuses. Voir le manuel du propriétaire du véhicule et de l'accessoire.

## LORSQUE VOUS VOYEZ CE SYMBOLE



## CELA SIGNIFIE:

## ATTENTION!

## VOTRE SÉCURITÉ EST EN CAUSE!

# PRÉCAUTIONS SÉCURITAIRES

Une opération prudente est votre meilleure assurance contre un accident. Lisez cette section attentivement avant d'opérer le véhicule et l'accessoire. Cet accessoire a la capacité d'amputer mains, pieds ou projeter des objets étrangers. Ne pas respecter les instructions de sécurité suivantes peut entraîner de sérieuses blessures. Tous les opérateurs, peu importe leur expérience, devraient lire ce manuel et tout autre manuel relatif au véhicule et à l'accessoire avant l'opération. C'est l'obligation légale du propriétaire d'enseigner à tous les opérateurs comment utiliser l'accessoire d'une façon sécuritaire.

## LEXIQUE:

Dans ce manuel, le côté droit et le côté gauche sont déterminés en étant assis sur le siège du véhicule et regardant vers l'avant.

Dans ce manuel, "accessoire" veut dire instrument (souffleuse, balai rotatif, lame, etc.) que vous pouvez installer sur le véhicule (tracteur de pelouse, V.T.T. etc.).

## FORMATION:



Ce symbole d'avertissement sécuritaire est utilisé partout dans ce manuel et sur les décalques de sécurité des accessoires pour vous aviser des possibilités de blessures sérieuses. S.V.P. portez une attention particulière à la lecture et à la compréhension des précautions sécuritaires avant d'opérer l'accessoire ou le véhicule.

1. Lisez ce Manuel du Propriétaire attentivement. Soyez complètement familier avec les contrôles et l'utilisation de l'accessoire. Sachez comment arrêter l'unité et débrayer les contrôles rapidement.

2. Ne permettez jamais à un enfant d'opérer l'accessoire ni le véhicule. Ne permettez jamais à un adulte d'opérer l'accessoire ni le véhicule sans qu'il ait la formation nécessaire.

3. Ne pas opérer l'accessoire ni le véhicule si vous êtes sous l'influence de l'alcool, des drogues ou médicaments. Ceux-ci affaiblissent les facultés et diminuent le temps de réaction.

4. Gardez l'endroit d'opération libre de toute personne, particulièrement de jeunes enfants ou animaux domestiques.

## PRÉPARATION:

1. Faites une inspection complète de l'endroit où l'accessoire va être utilisée et enlevez les essuie-pieds et tout autre objet étranger.

2. Pour les accessoires motorisés, débrayez tous les embrayages et passer au neutre avant de démarrer le moteur de l'accessoire.

3. Ne jamais opérer l'accessoire sans porter des vêtements d'hiver adéquats. Éviter les vêtements et accessoires amples qui pourraient se prendre dans les pièces rotatives. Portez des chaussures anti-dérapantes qui vont vous aider à garder l'équilibre sur les surfaces glacées.

## 8. Ne jamais modifier l'accessoire ou les pièces sans le consentement écrit du manufacturier.

7. Toujours porter des lunettes de sécurité durant l'opération, lorsque vous procédez à des ajustements ou des réparations afin de protéger les yeux de tout objet qui pourrait être projeté par l'accessoire.

6. Laissez l'accessoire et le véhicule s'ajuster à la température extérieure avant de commencer à déblayer la neige.

5. Ne faites aucun ajustement lorsque le moteur est en marche (excepté quand cela est recommandé par le manufacturier).

g) Fermez le couvercle du réservoir fermement et essayez les éclaboussures.

h) Si vous renversez de l'essence sur les vêtements, changez les vêtements immédiatement.

f) Gardez le bec verseur en contact avec le rebords du réservoir d'essence ou de l'ouverture du contenant en tout temps, jusqu'au remplissage complet. Ne pas utiliser un dispositif de serrure ouvert sur le bec verseur.

e) Lorsque possible, enlevez les équipements à votre véhicule avant le remplissage. Toujours placer les contenants sur le sol loin de camion plateforme avec une doublure de caisse. Ne jamais remplir les contenants à l'intérieur d'un véhicule ou sur un camion ou sur un réservoir à l'intérieur.

d) Remplissez le réservoir à essence à l'extérieur avec extrême prudence. Ne jamais remplir le chaud ou en marche.

c) Utilisez un contenant à essence approuvé. Ne jamais ajouter de l'essence quand le moteur est chaud ou en marche.

b) Manipulez l'essence avec précaution (si applicable), il est extrêmement inflammable.



Dans ce manuel, le côté droit et le côté gauche sont déterminés en étant assis sur le siège du tracteur et regardant vers l'avant.

_____	DATE D'ACHAT:
_____	NUMÉRO DE SÉRIE:

**S.V.P. Vérifier si vous avez reçu toutes les pièces de votre ensemble avec la liste du sac et liste de la boîte.**

## Ce manuel devrait être conservé pour référence future.

Si des réparations sur garantie sont nécessaires, veuillez présenter ce livret d'enregistrement et la facture de vente originale à votre concessionnaire.

Notez le numéro de série avec la date d'achat de votre accessoire (il n'y a pas de numéro de série attribué au sous-chassis) dans la section réservée ci-dessous. Votre détaillant exige cette information afin d'assurer un service rapide et efficace lorsque des pièces de rechange sont à commander. Remplacez les pièces défectueuses par des pièces d'origine seulement.

**PRÉCAUTION:** Signifie un danger qui peut causer des blessures mineures si les précautions recommandées ne sont pas respectées.

**ATTENTION:** Signifie un danger qui peut causer des blessures graves ou même la mort, si les précautions recommandées ne sont pas respectées.

**DANGER:** Signifie un danger extrême qui causera des blessures graves ou même la mort, si les précautions recommandées ne sont pas respectées.

**DANS CE MANUEL, CE SYMBOLE D'AVERTISSEMENT SÉCURITAIRE IDENTIFIE UN MESSAGE DE SÉCURITÉ IMPORTANT QUI VOUS AIDERA AINSI QUE TOUTE AUTRE PERSONNE À ÉVITER DES BLESSURES GRAVES ET MÊME LA MORT. DANGER, ATTENTION, PRÉCAUTION SONT DES MOTS D'AVERTISSEMENT POUR IDENTIFIER LES NIVEAUX DE DANGER. TOUJOURS, SOYEZ TOUJOURS EXTRÊMEMENT PRUDENT.**



Familiarisez-vous avec les recommandations de sécurité et les procédures d'utilisation avant d'utiliser l'accessoire. Lisez et suivez attentivement ces recommandations et insistez pour qu'elles soient suivies par ceux qui se serviront de l'accessoire avec vous.

**NOTE:** Toutes les photographies et illustrations de ce manuel peuvent ne pas être du modèle ou de l'accessoire en main et ne sont présentées qu'à titre de référence. Elles sont basées sur les dernières informations disponibles lors de la publication.

Ce nouvel accessoire a été soigneusement conçu pour vous donner plusieurs années de bons services. Ce manuel a pour but de vous aider à utiliser prudemment votre accessoire.

**À L'ACHETEUR**

# INTRODUCTION

# TABLE DES MATIÈRES

PAGE

INTRODUCTION ..... 2

PRÉCAUTIONS SÉCURITAIRES ..... 3

## ASSEMBLAGE

Étape 1: Préparation du tracteur ..... 5

Étape 2: Installation du sous-châssis ..... 6

Étape 3: Préparation du mécanisme d'entraînement ..... 10

Étape 4: Installation du mécanisme d'entraînement ..... 12

Étape 5: Installation de la souffeuse ..... 13

Installation du balai rotatif ..... 15

Installation de la lame ..... 17

## ENTRETIEN

Entretien ..... 18

Démontage du mécanisme d'entraînement ..... 18

Remplacement de la courroie ..... 18

Entreposage ..... 18

ACCESSOIRES ..... 19

RÉFÉREZ-VOUS À LA SECTION ANGLAISE POUR:

TABLE DE SPÉCIFICATION DE COUPLE ..... 19

## NOMENCLATURE ET LISTE DES PIÈCES

Mécanisme d'entraînement Compact ..... 20

Mécanisme d'entraînement Nordet ..... 22

Sous châssis ..... 24

## DÉPANNAGE

Voir le manuel du propriétaire des accessoires pour cette section. (Souffeuse, Balai Rotatif, et Lame)

# GARANTIE LIMITÉE

## Couverture des Produits et Conditions

BERCOMAC garantit toute pièce ou accessoire fabriqué par BERCOMAC et trouvé, selon la discrétion raisonnable de BERCOMAC, être défectueux en matériel ou dans sa fabrication, sera réparé, remplacé ou ajusté par un marchand autorisé sans frais, jusqu'à concurrence maximale du taux horaire et du temps de réparation pré-établi. Pour le remplacement des pièces, seuls les frais de transport mode régulier sont couverts. Cette garantie est valide pour le premier propriétaire et ne peut être transféré à un autre propriétaire. La période de garantie débute à la date d'achat au détail.

## Période de Garantie

(à partir de la date d'achat au détail):

- Usage Résidentiel: 1 an
- Location ou usage commercial: 90 jours

## Voir exception:

Les items suivants sont garanties par le manufacturier d'origine et ont leurs propres conditions et durée limitée:

- Chaînes à pneus: 90 jours
- Moteurs (fourni avec les équipements BERCOMAC): 2 ans

Veillez vous référer à la garantie du manufacturier incluse avec l'unité. Bercomac n'est pas autorisé à agir concernant les garanties d'ajustement des moteurs.

## Conditions et Items Non Couverts:

Cette garantie n'inclut pas ce qui suit:

- Frais pour ramassage, de livraison, ou service à domicile;
- N'importe quel dommage ou détérioration de la marchandise, pièce ou finition due à l'utilisation normale, l'usure, bris et déchirure, ou l'exposition.
- Frais relatifs à l'usage et à la maintenance régulière tels que lubrifiants, gazoline, huile, pièces de mise au point et ajustements.
- N'importe quel pièce ou accessoire qui a été altéré, modifié, négligé, brisé accidentellement, mal installé, mal entretenu, remis ou réparé non conformément aux instructions dans le manuel du propriétaire.
- N'importe quelle réparation due à l'usure normale des pièces tel que les goupilles de sécurité, boulons, courroies, etc.
- Frais de transport en mode accéléré pour pièces de remplacement.

- Boulons et goupilles de sécurité sont considérés comme une mesure préventive et ne sont pas une protection assurée. Tout dommage provenant d'un non fonctionnement n'est pas couvert.

Note: Tout travail effectué sur garantie doit être exécuté par un marchand autorisé BERCOMAC utilisant des pièces de remplacement d'origine.

Note: BERCOMAC se réserve le droit de changer ou améliorer la conception de toute pièce et / ou accessoire sans assumer aucune obligation à modifier les produits fabriqués auparavant.

## Instructions pour Obtenir le Service sur Garantie

Contactez le marchand ou vous avez acheté le produit ou tout autre marchand de service BERCOMAC pour fixer un rendez-vous à leur atelier. Pour localiser un marchand de votre choix, visiter notre site web au [www.bercomac.com](http://www.bercomac.com). Apporter le produit et votre preuve d'achat (facture) chez votre marchand de service BERCOMAC.

## Responsabilités du Propriétaire

Tous les produits ou pièces défectueuses BERCOMAC doivent être retournés chez un marchand de service autorisé à l'intérieur de la période de garantie, pour réparation. Dans le cas où la marchandise doit être retournée au manufacturier pour réparation, le marchand doit d'abord obtenir une autorisation écrite de BERCOMAC, frais de transport payé d'avance. Cette garantie s'étend uniquement à l'équipement qui est opéré sous condition normale. Pour qu'une réclamation soit valide, l'opérateur a la responsabilité d'entretenir et d'effectuer les routines de maintenance tel que spécifié dans le manuel du propriétaire ou de les faire effectuer chez un marchand autorisé à ses frais.

## Conditions Générales

L'engagement exclusif de BERCOMAC en regard de cette garantie s'arrête à la réparation et au remplacement tel que mentionné ci-dessus. BERCOMAC ne doit avoir aucune responsabilité pour aucun autre frais, perte ou dommage, incluant mais sans se limiter à, aucun dommages-intérêts ou perte ou dommage subséquent. En particulier, BERCOMAC n'a aucun engagement ou responsabilité pour:

- Temps pour transport, surtemps, temps après les heures d'ouverture ou autre frais extraordinaires de réparation ou charges relatives aux réparations ou remplacement en dehors des heures normales de travail.
- Location d'équipement de remplacement similaire durant la période de garantie, réparation ou remplacement des travaux.
- N'importe quel frais téléphonique ou télégramme ou frais de transport.
- Perte ou dommage à une personne ou propriété autre que ceux couverts par les termes de cette garantie.
- N'importe quelle réclamation pour perte de revenus, perte de profits ou coûts additionnels résultant d'une réclamation d'un bris de garantie.
- Frais juridiques.

La responsabilité de BERCOMAC, en respect de la présente, se limite à couvrir la réparation et les pièces de remplacement et aucune réclamation d'un bris de garantie doit être la cause pour annulation ou résiliation de contrat de vente pour n'importe quel pièce ou accessoire.

Cette garantie vous donne des droits légaux spécifiques et vous pouvez également avoir d'autres droits qui varient d'état en état.

**ATTENTION:**  
LIRE & SUIVRE TOUTES LES RÈGLES DE SÉCURITÉ & INSTRUCTIONS  
AVANT D'UTILISER CET ÉQUIPEMENT

\* ASSEMBLAGE      \* OPÉRATION  
\* PIÈCES DE RÉPARATION      \* ENTRETIEN

**BERCO**  
**Sous-châssis & Mécanisme d'entraînement**  
pour tracteurs  
**BOLENS, COLUMBIA, CUB CADET, TORO, TROY-BILT, WHITE,  
YARD MACHINE & YARD MAN**



700434 Sous-châssis  
700435 Mécanisme d'entraînement Compact  
700436 Mécanisme d'entraînement Nordet

**MANUEL DU PROPRIÉTAIRE**  
**Modèle Numéro**

