



# Instructions

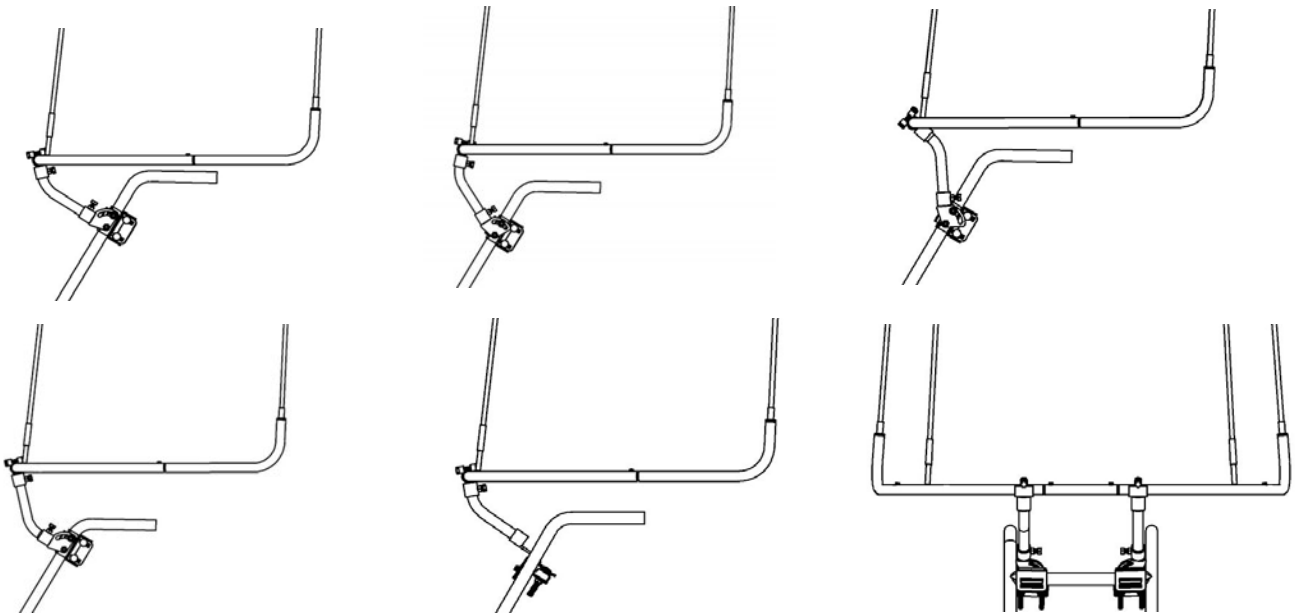
## CAB FOR WALK-BEHIND SNOWBLOWERS #700525-2 INSTALLATION

### PRE INSTALLATION:

**NOTE:** Some standard pre assembly has been done (the most commonly used) to facilitate installation. Certain models of walk behind snowblowers have accessories attached on the handle bar that come into interference with the cab's right adjustable support assembly.

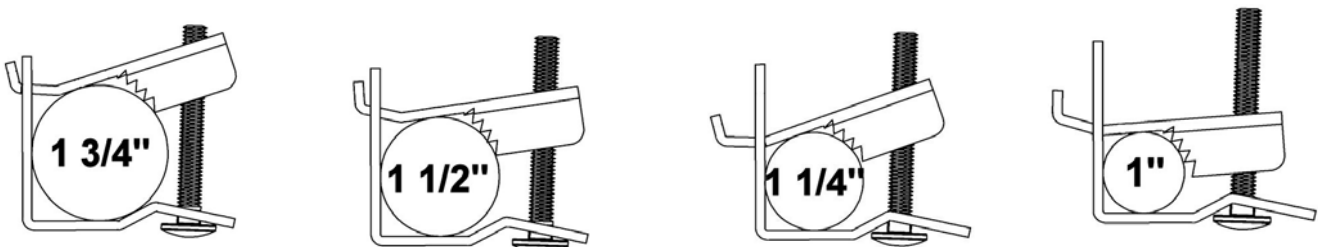
Please follow the instructions that are in the hardware bag. Refer to the parts breakdown for identification of the parts.

Determine the location of the left and right adjustable support assemblies that will adapt the best on your snowblower. Several possibilities are offered, they are not all illustrated. About twelve positions are possible and are adjustable in different ways. The link can be inverted which will allow even more positions.



The right & left adjustable supports can be moved from one side to the other, the inside and outside attaching plates can be inverted on either the vertical and horizontal handles, which will give a greater quantity of positions.

The inside and outside attaching plates were designed to accept different sizes of snowblower handles. Determine the installation that is necessary for your snowblower. Position the carriage bolts as close as possible to the handles of the snowblower.

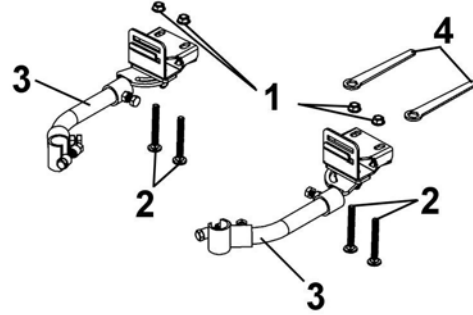


# ASSEMBLY

## INSTALLATION:

Remove the flange nuts M8 (item 1) and the carriage bolts M8 x 65mm (item 2) from the right and left adjustable support assemblies (item 3).

This will allow you to remove the 13mm tools (item 4) that you will use during the rest of the installation.

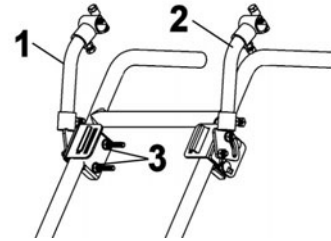


Remove the nuts and bolts.

Place in a satisfactory and temporary position the right (item 1) and left (item 2) adjustable support assembly on the handles of the snowblower as determined previously with the nuts and bolts previously removed.

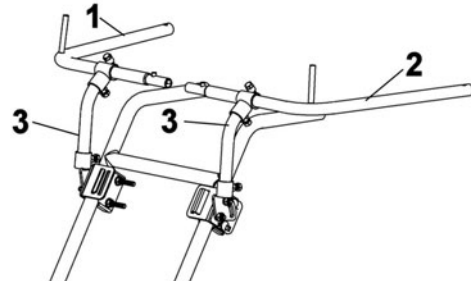
Tighten the nuts lightly (item 3).

This will allow you to freely adjust the assembly in the following steps.



Install the adjustable support assemblies.

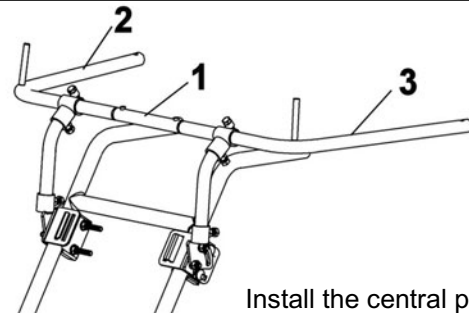
Insert the right pipe assembly (item 1) and the left pipe assembly (item 2) in the adjustable support assemblies (item 3) as shown.



Install the left and right pipe assemblies.

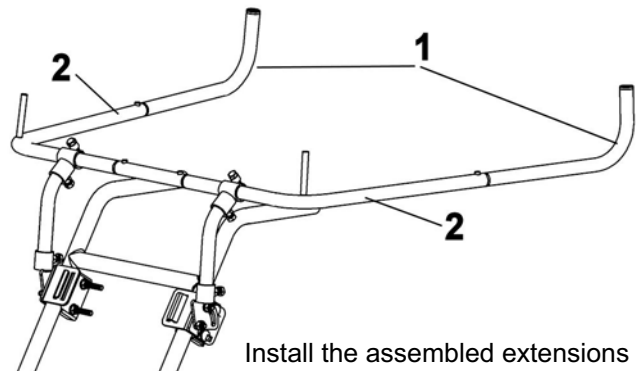
Insert the central pipe (item 1) between the pipe assemblies (items 2 & 3) as shown.

Make sure the central pipe is well inserted in the snap in buttons .



Install the central pipe

Insert the assembled extensions (item 1) in the right and left pipe assemblies (item 2) up to the pressure buttons as shown.

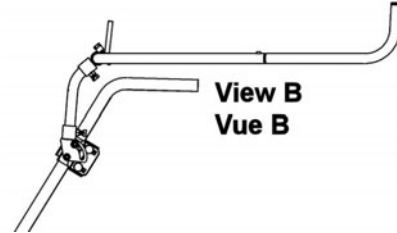
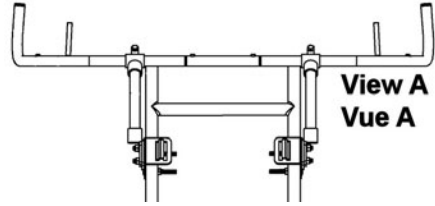


Install the assembled extensions

# ASSEMBLY

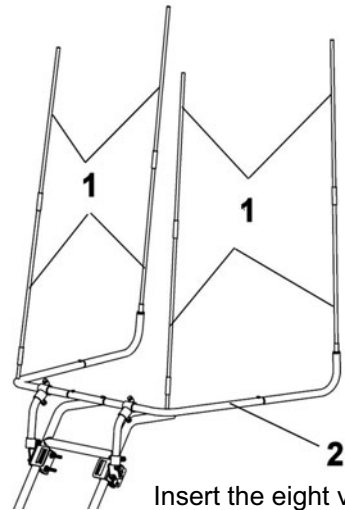
Place your assembly in the middle of the snowblower. Position it so that it is parallel with ground in both directions; front (View A) and the side (View B).

Tighten all the bolts and nuts firmly.



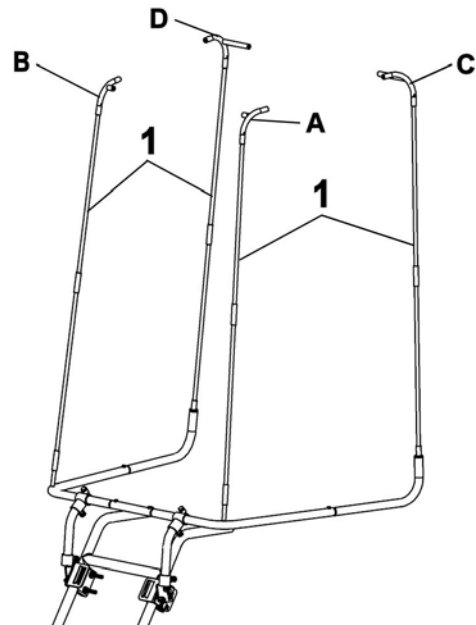
Place the mounting parallel with the ground

Insert the eight vertical rods (item 1) (all the same length) on the assembly (item 2) as shown.



Insert the eight vertical rods

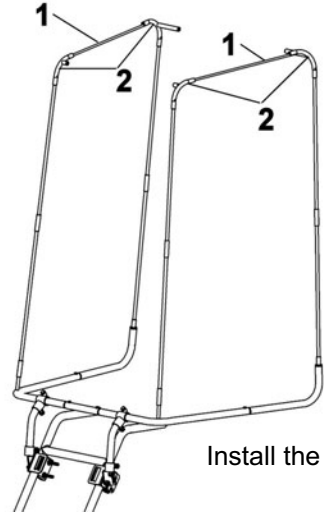
Insert the corners A, B, C, D, (identified with a letter) on the vertical rods (item 1).



Install the corners

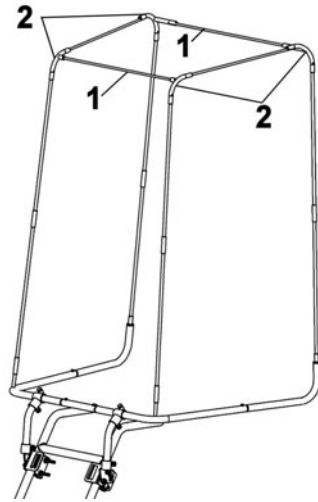
# ASSEMBLY

Install the two lateral rods (item 1) (the two shortest ones) in the corners (item 2) as shown.



Install the lateral rods

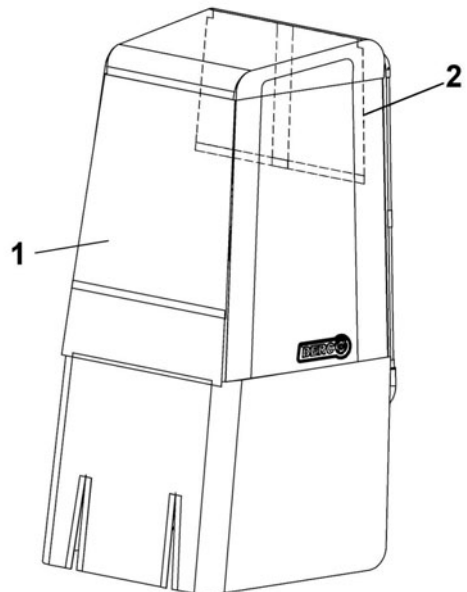
Install the front & back top rods (item 1) (in the corners (item 2) as shown.



Install the front and back rods

Install the canvas (item 1) on the cab assembly, make sure the back panels (item 2) are over the back top rod.

Hang the canvas and hold in place with the Velcro straps at the base of the canvas and at the back.



Install the canvas

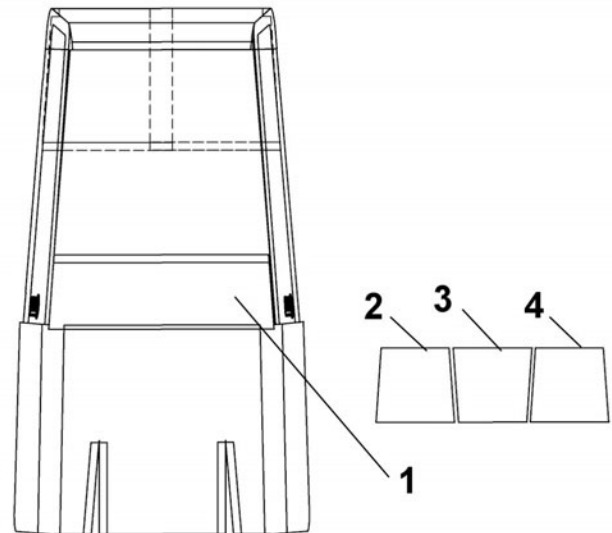
# ASSEMBLY

The canvas is preassembled with a removable window panel (long panel).

If the snowblower is equipped with headlights, handles or other accessories, remove the long window panel (item 1) from the window.

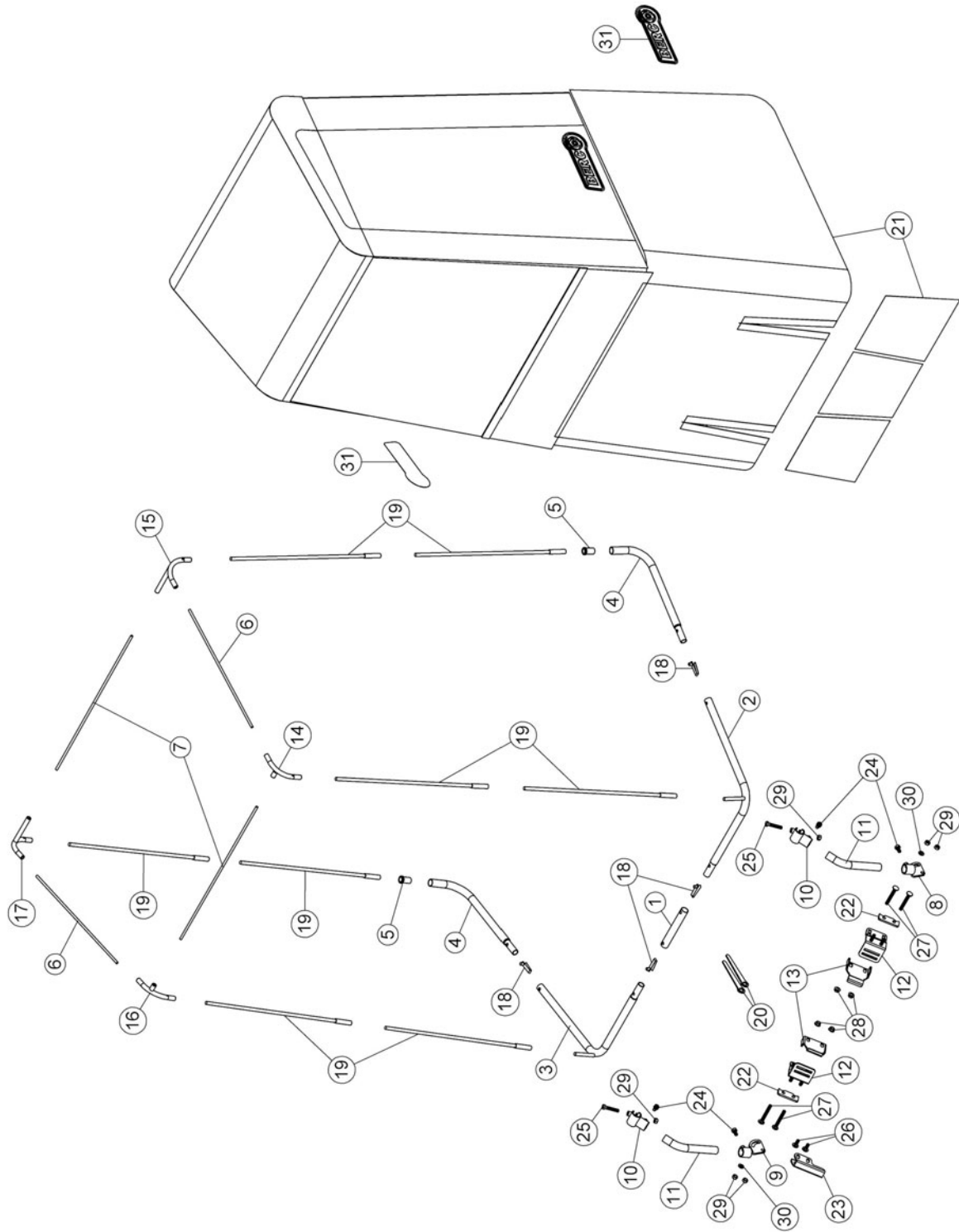
You can use the three panels (items 2,3 & 4) according to your needs.

**NOTE: Make sure that you do not block the engine air-intake and that the emanations do not enter the cab when the canvas is tied down in place.**



You can change the windows panels.

# PARTS BREAKDOWN CAB FOR WALK BEHIND SNOWBLOWER



## PARTS LIST CAB FOR WALK BEHIND SNOWBLOWER

Ref. Réf.	English description	Description française	Qty. Qté.	Part # Pièce #
1	Central pipe	Tube central	1	105450
2	Left pipe	Tube gauche	1	105451
3	Right pipe	Tube droit	1	105452
4	Extension	Extension	2	105453
5	Bushing	Coussinet	2	105454
6	Lateral rod	Tige latérale	2	105455
7	Top rod	Tige du haut	2	105456
8	Left adjustable support	Support ajustable gauche	1	105457
9	Right adjustable support	Support ajustable droit	1	105458
10	Base adjustable support	Support de la base ajustable	2	105459
11	Link	Lien	2	105460
12	Outside mounting plate	Plaque de montage extérieure	2	105461
13	Inside mounting plate	Plaque de montage intérieure	2	105462
14	A corner	Coin A	1	105463
15	C corner	Coin C	1	105464
16	B corner	Coin B	1	105465
17	D corner	Coin D	1	105466
18	Snap Button	Bouton pression	4	105467
19	Vertical rod	Tige verticale	8	105468
20	Key 13 mm	Clé 13 mm	2	105469
21	Canvas assembly with Berco decal	Toile assemblée avec décalque Berco	1	105827
22	Shim	Cale	2	105471
23	Spacer	Espaceur	1	106080
24	Hex. bolt M8 x 1.25 x 16	Boulon hex. M8 x 1.25 x16	4	O/L
25	Hex. bolt M8 X 1.25 X 45	Boulon hex. M8 X 1.25 X 45	2	O/L
26	Carriage bolt M8 x 1.25 x 20	Boulon à carrosserie M8 x 1.25 x 20	2	O/L
27	Carriage bolt Fully Threaded M8 x 1.25 x 65	Boulon carros. fileté p. long. M8 x 1.25 x 65	4	O/L
28	Flange nut M8 x 1.25	Écrou à bride M8 x 1.25	4	O/L
29	Nylon insert lock nut M8 x 1.25	Écrou à garniture de nylon M8 x 1.25	6	O/L
30	Flat washer M8	Rondelle plate M8	2	O/L
31	Reflective Berco decal	Décalque Berco réfléchissant	2	105369

**O/L = Obtain Locally**



***WHEN PERFORMANCE  
& DEPENDABILITY  
ARE NON NEGOTIABLE!***

Bercomac Limitée  
92, Fortin North, Adstock, Quebec, Canada, G0N 1S0

*WWW.BERCOMAC.COM*

PRINTED IN CANADA

(ORIGINAL NOTICE)