



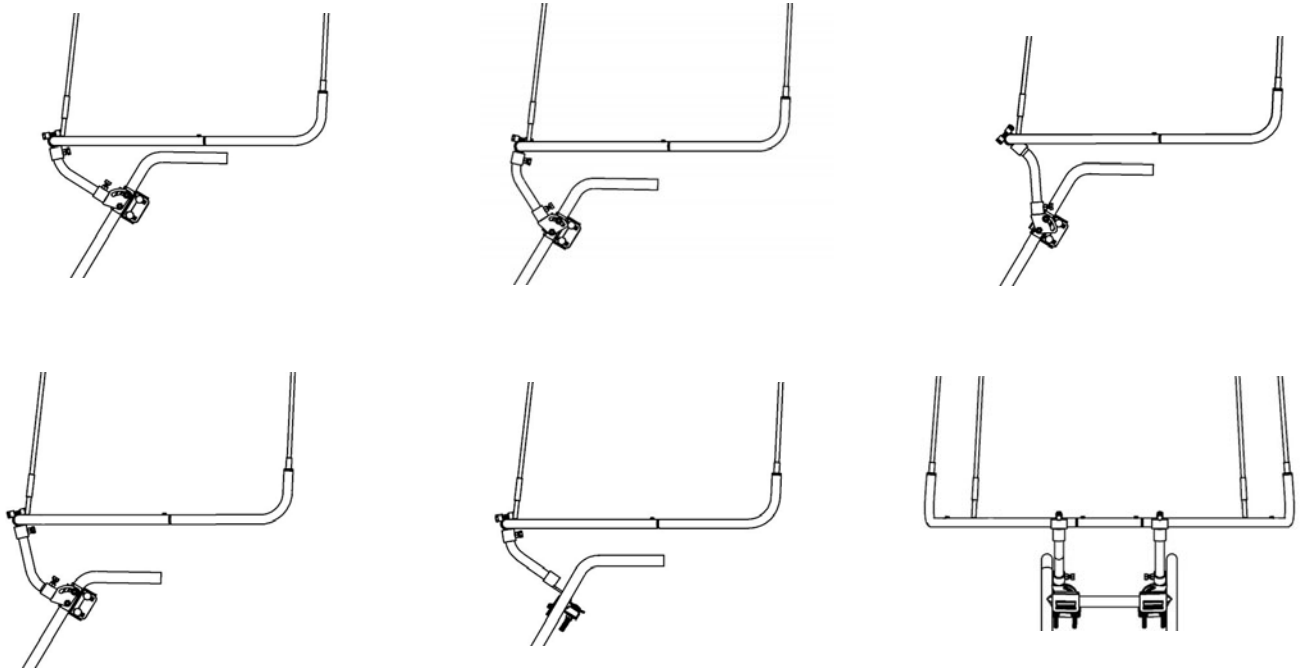
Instructions

CAB FOR WALK-BEHIND SNOWBLOWERS #700525 INSTALLATION

PRE INSTALLATION:

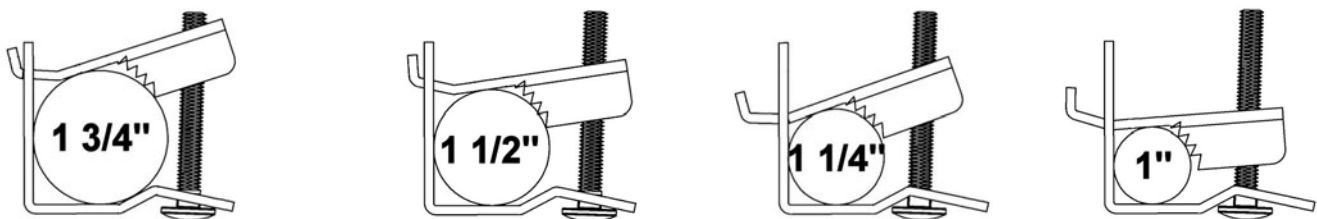
NOTE: Some standard pre assembly has been done (the most commonly used) to facilitate installation. Refer to the parts breakdown for identification.

Determine the location of the left and right adjustable support assemblies that will adapt the best on your snowblower. Several possibilities are offered, they are not all illustrated. About twelve positions are possible and are adjustable in different ways. The link can be inverted which will allow even more positions.



The right & left adjustable supports can be moved from one side to the other, the inside and outside attaching plates can be inverted on either the vertical and horizontal handles, which will give a greater quantity of positions.

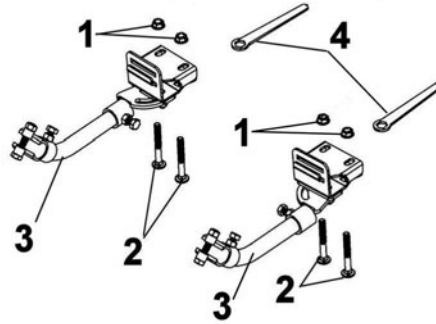
The inside and outside attaching plates were designed to accept different sizes of snowblower handles. Determine the installation that is necessary for your snowblower. Position the carriage bolts as close as possible to the handles of the snowblower.



ASSEMBLY

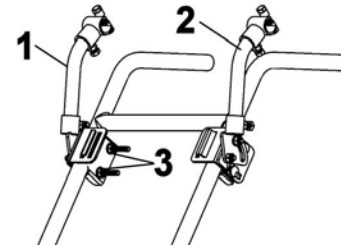
INSTALLATION:

Remove the flange nuts M8 (item 1) and the carriage bolts M8 x 65mm (item 2) from the right & left adjustable support assembly (item 3). This will allow you to remove the 13mm tools (item 4) that you will use during the rest of the installation.



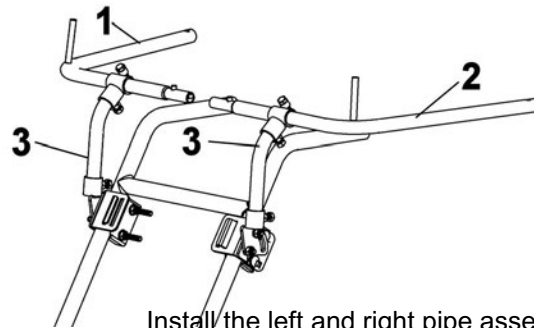
Remove the nuts and bolts.

Place in a satisfactory and temporary position the right (item 1) and left (item 2) adjustable support assembly on the handles of the snowblower as determined previously with the nuts and bolts previously removed. Tighten the nuts lightly (item 3). This will allow you to freely adjust the assembly in the following steps.



Install the mounting assemblies.

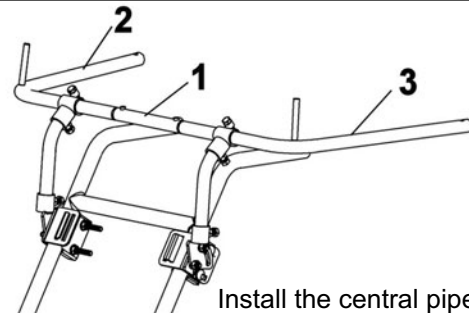
Insert the right pipe assembly (item 1) and the left pipe assembly (item 2) in the adjustable support assemblies (item 3) as shown.



Install the left and right pipe assemblies.

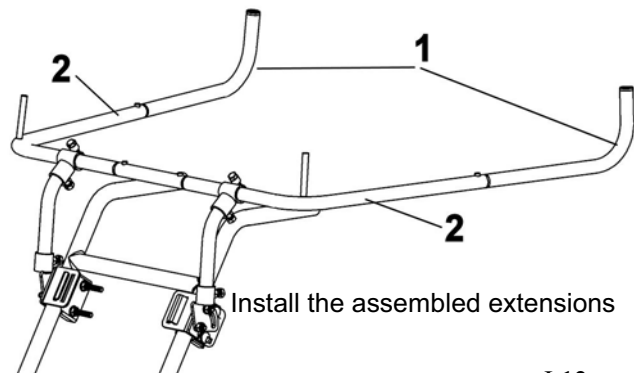
Insert the central pipe (item 1) between the pipe assemblies (items 2 & 3) as shown.

Make sure the central pipe is well inserted in the snap in buttons .



Install the central pipe

Insert the assembled extensions (item 1) in the right and left pipes assemblies (item 2) up to the pressure buttons as shown.

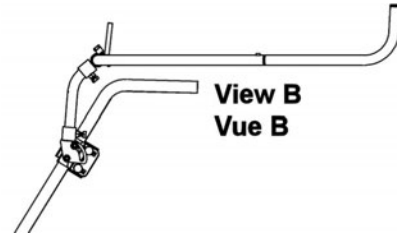
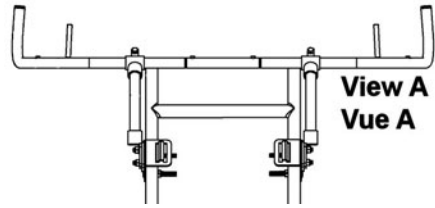


Install the assembled extensions

ASSEMBLY

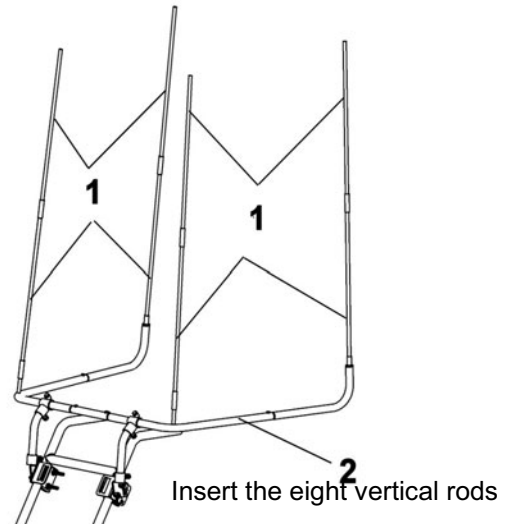
Place your assembly in the middle of the snowblower. Position it so that it is parallel with ground in both directions; front (View A) and the side (View B).

Tighten all the bolts and nuts firmly.

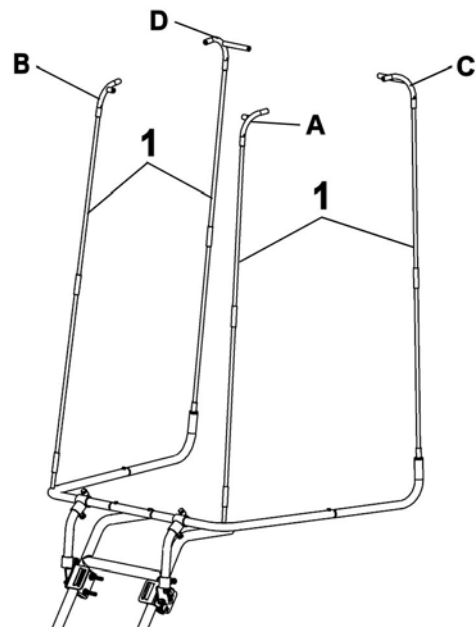


Place the mounting parallel with the ground

Insert the eight vertical rods (item 1) (all the same length) on the assembly (item 2) as shown.

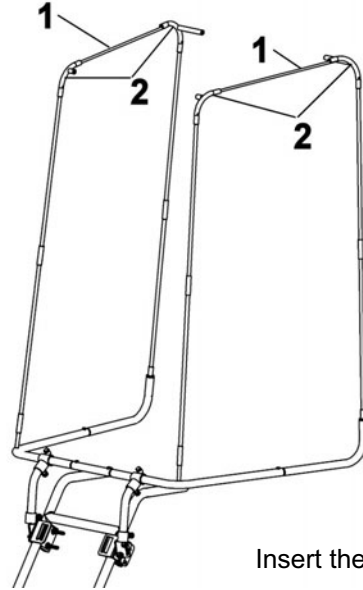


Insert the corners A, B, C, D, (identified with a letter) on the vertical rods (item 1).



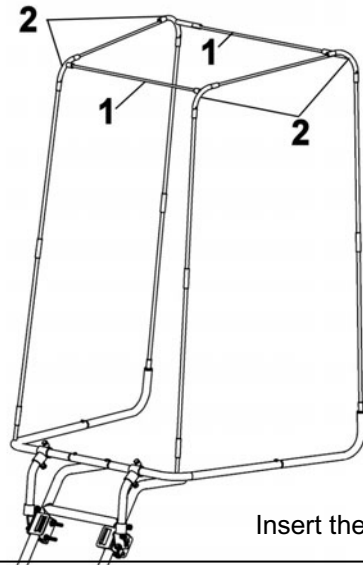
ASSEMBLY

Install the two lateral rods (item 1) (the two shortest ones) in the corners (item 2) as shown.



Insert the lateral rods

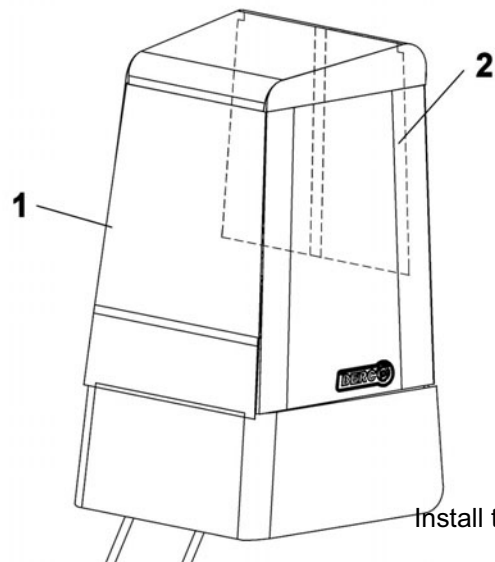
Insert the two top rods (item 1) (front & back) in the corners (item 2) as shown.



Insert the top rods

Install the canvas (item 1) on the cab assembly, make sure the back panels (item 2) are over the back top rod.

Hang the canvas and hold in place with the Velcro straps at the base of the canvas and at the back.



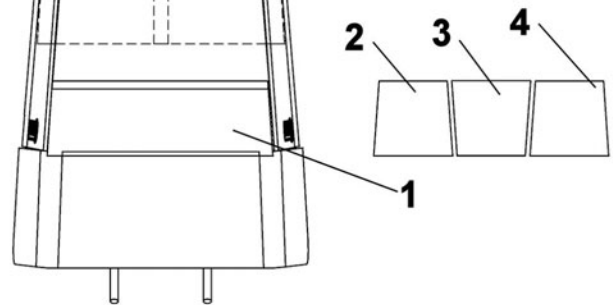
Install the canvas

ASSEMBLY

The canvas is preassembled with a removable window panel (long panel).

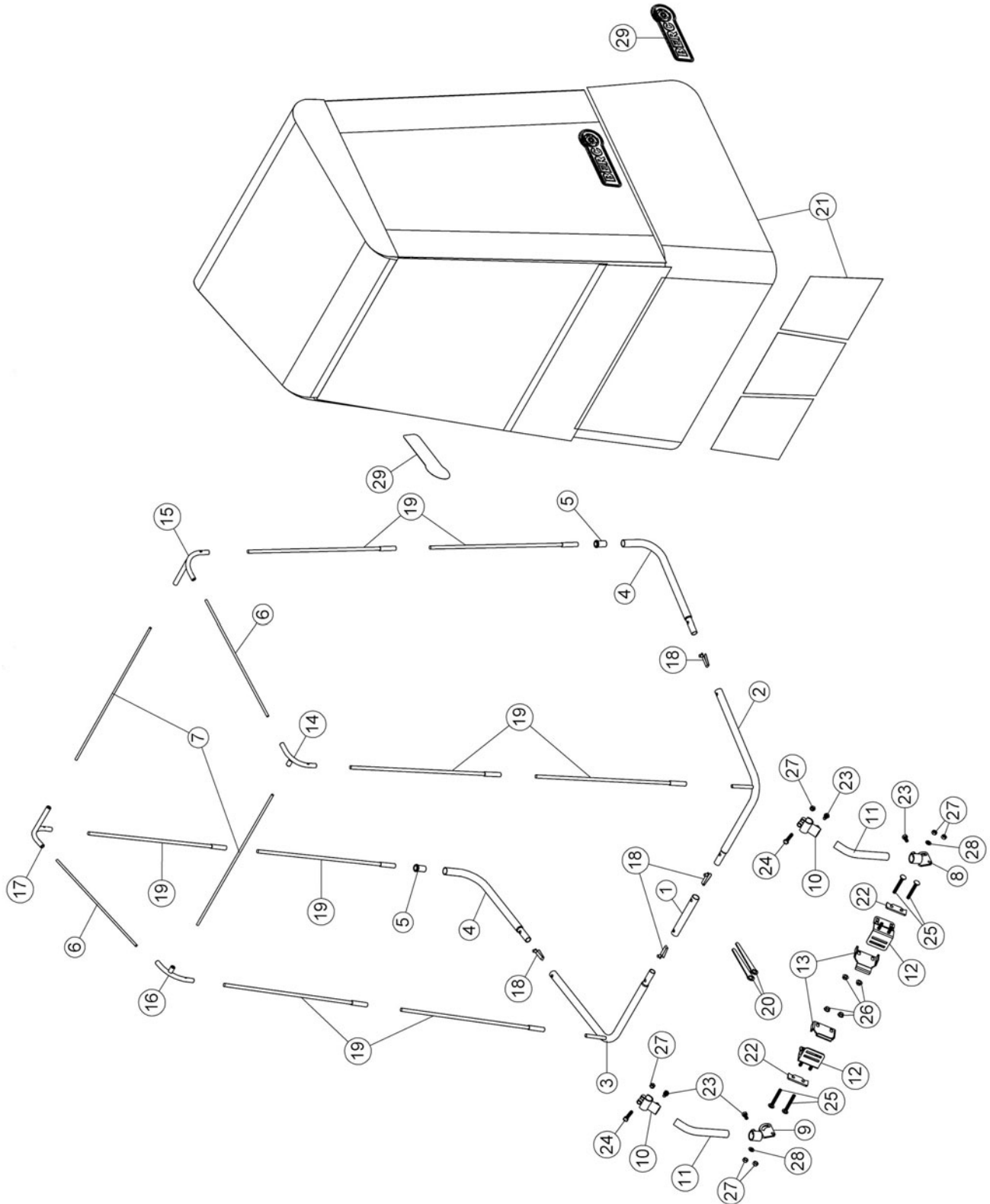
If the snowblower is equipped with headlights, handles or other accessories, remove the long window panel (item 1).

You can use the three panels (item 2-3 & 4) together or separately according to your needs.



You can change the windows panels.

PARTS BREAKDOWN CAB FOR WALK BEHIND SNOWBLOWER



PARTS LIST CAB FOR WALK BEHIND SNOWBLOWER

| Ref. Réf. | English description | Description française | Qty. Qté. | Part # Pièce # |
|--------------|---|---|--------------|-------------------|
| 1 | Central pipe | Tube central | 1 | 105450 |
| 2 | Left pipe | Tube gauche | 1 | 105451 |
| 3 | Right pipe | Tube droit | 1 | 105452 |
| 4 | Extension | Extension | 2 | 105453 |
| 5 | Bushing | Coussinet | 2 | 105454 |
| 6 | Lateral rod | Tige latérale | 2 | 105455 |
| 7 | Top rod | Tige du haut | 2 | 105456 |
| 8 | Left adjustable support | Support ajustable gauche | 1 | 105457 |
| 9 | Right adjustable support | Support ajustable droit | 1 | 105458 |
| 10 | Base adjustable support | Support de la base ajustable | 2 | 105459 |
| 11 | Link | Lien | 2 | 105460 |
| 12 | Outside mounting plate | Plaque de montage extérieure | 2 | 105461 |
| 13 | Inside mounting plate | Plaque de montage intérieure | 2 | 105462 |
| 14 | A corner | Coin A | 1 | 105463 |
| 15 | C corner | Coin C | 1 | 105464 |
| 16 | B corner | Coin B | 1 | 105465 |
| 17 | D corner | Coin D | 1 | 105466 |
| 18 | Snap button | Bouton pression | 4 | 105467 |
| 19 | Vertical rod | Tige verticale | 8 | 105468 |
| 20 | Key 13 mm | Clé 13 mm | 2 | 105469 |
| 21 | Canvas assembly | Toile assemblée | 1 | 105470 |
| 22 | Shim | Cale | 2 | 105471 |
| 23 | Hex. bolt M8 x 1.25 x 16 | Boulon hex. M8 x 1.25 x16 | 4 | O/L |
| 24 | Hex. bolt M8 X 1.25 X 45 | Boulon hex. M8 X 1.25 X 45 | 2 | O/L |
| 25 | Carriage bolt fully threaded M8 x 1.25 x 65 | Boulon carros. fileté p. long. M8 x 1.25 x 65 | 4 | O/L |
| 26 | Flange nut M8 x 1.25 | Écrou à bride M8 x 1.25 | 4 | O/L |
| 27 | Nylon insert lock nut M8 x 1.25 | Écrou à garniture de nylon M8 x 1.25 | 6 | O/L |
| 28 | Flat washer M8 | Rondelle plate M8 | 2 | O/L |
| 29 | Reflective Berco decal | Décalque Berco réfléchissant | 2 | 105369 |

O/L = Obtain Locally