



OWNER'S MANUAL

Model Number

700586 Snowblower 48"

700587 Snowblower 56"



BERCO ***3 points Snowblower 48" and 56"*** ***Pro series 1000***

- * ASSEMBLY
- * OPERATION

- * REPAIR PARTS
- * MAINTENANCE

CAUTION:

**READ & FOLLOW ALL SAFETY RULES & INSTRUCTIONS BEFORE
OPERATING YOUR EQUIPMENT**



LIMITED WARRANTY

Conditions and Products Covered:

BERCOMAC guarantees any part of the product or accessory manufactured by BERCOMAC and found in the reasonable judgment of BERCOMAC to be defective in material and or workmanship will be repaired or replaced by an authorized dealer without charge up to our maximum labor rates and pre-established times. For replacement parts only standard ground freight services are covered. This warranty extends to the original retail purchaser only and is not transferable to any subsequent purchasers. This warranty applies to the products bought and used in North America.

Warranty Period

(from date of the original retail purchase)

- Residential or semi-commercial use: 1 year
- Commercial, industrial or rental use: 90 days

Exceptions Noted Below; the following items are guaranteed by the original manufacturer and have their own warranty, conditions and limited time:

- Tire Chains:
 - 90 days residential or semi-commercial use
 - No warranty on other application
- Engines: Will vary as per the manufacturer
Please refer to the engine manufacturer's warranty statement included with the unit. BERCOMAC is not authorized to handle warranty adjustments on engines.

Items and Conditions NOT Covered:

This warranty does not cover the following:

- Pick-up or delivery charges or in-home services fees.
- Any damage or deterioration of the unit, parts and or finish of these due to normal use, wear and tear, or exposure.
- Cost of regular use or maintenance service or parts, such as gas, oil, lubricants, tune-up parts, and adjustments.
- Any part or accessory which has been altered, modified, misused, neglected, accidentally damaged or not properly installed, maintained, stored or repaired not in accordance with the instructions in the owner's manual.
- Repair due to normal wear and or any wear items such as shear pins, bolts, belts, winch cable, cutting edge, skid shoes, etc.
- Expedited freight fee services for replacement parts.
- Shear bolts and shear pins are to be considered as a preventive measure not as an assured protection, any damages resulting from the lack of shear bolts breakage are not covered.
- Damages due to product being installed on vehicle other than stipulated in the owner's manual.

NOTE: All warranty work must be performed by an authorized dealer using original (manufacturer) replacement parts.

NOTE: Bercomac reserves the right to change or improve the design of any part or accessory without assuming any obligation to modify any product previously manufactured.

Instructions for Obtaining Warranty Services:

Contact dealer where equipment was purchased or any other BERCO service dealer to arrange service at their dealership. To locate a dealer convenient to you, access our website at www.bercomac.com. Don't forget to bring your proof of purchase (sales receipt) to the BERCO dealer.

Owner's Responsibilities:

BERCOMAC's defective equipment or part must be returned to an authorized dealer within the warranty period for repairs. In the event that defective merchandise must be returned to manufacturer for repairs, freight fees are prepaid and a written authorization from BERCOMAC must be obtained by dealer prior to the shipment. This warranty extends only to equipment operated under normal conditions. To validate a warranty claim, it is the user's responsibility to maintain and service the unit as specified in the owner's manual or to have the unit serviced at their dealer at their expense.

General Conditions:

The sole liability of BERCOMAC with respect to this warranty shall be strictly and exclusively repair and replacement as mentioned herein. BERCOMAC shall not have any liability for any other costs, loss or damage, including but not limited to, any incidental or consequential loss or damage.

Taking advantage of the warranty does not in any way extend the length or renewal of the warranty.

In particular, without being limited to, BERCOMAC shall have no liability or responsibility for:

- Travel time, overtime, after hours time or other extraordinary repair charges or relating to repairs and or replacements outside of normal business hours.
- Rental of like or similar replacement equipment during the period of any, repair or replacement work.
- Any communicating or travel charges.
- Loss or damage to person or property other than that covered by the terms of this warranty.
- Any claims for lost revenue, lost profit or any similar costs as a result of damage or repair.
- Attorney's fees.

BERCOMAC's responsibility in respect to claims is limited to making the required repairs or replacement without charge up to our maximum labor rates and pre-established times and no claim of breach of warranty shall be cause for cancellation or rescission of the contract of sale of any product or accessory. In no event shall recovery of any kind be greater than the amount of the purchase price of the product sold.

This warranty gives you specific legal rights. You may also have other rights, which vary from state to state.

TABLE OF CONTENTS

	PAGE
INTRODUCTION	1
SAFETY PRECAUTIONS	2
SAFETY DECALS	4
ASSEMBLY	
Step 1 Snowblower Preparation	5
Step 2: PTO driveshaft Preparation and installation	7
Step 3: Snowblower Installation	8
Step 4: Snowblower and tractor adjustments	8
OPERATION	
Snowblower Operation	9
Controls	9
Snow Removal	9
MAINTENANCE	
Adjustments	10
Lubrication	10
Shear Bolt Replacement	10
Belt Replacement	11
Pulley Replacement	11
DISMOUNTING & STORAGE	12
TROUBLESHOOTING	13
PARTS BREAKDOWN AND PARTS LIST	
48" Snowblower	14
56" Snowblower.....	18
TORQUE SPECIFICATION TABLE	22
OPTIONS & ATTACHMENTS	23

INTRODUCTION

TO THE PURCHASER

This new accessory was carefully designed to give years of dependable service. This manual has been provided to assist in the safe operation and servicing of your attachment.

NOTE: All photographs and illustrations in the manual may not necessarily depict the actual models or attachment, but are intended for reference only and are based on the latest product information available at the time of publication.

Familiarize yourself fully with the safety recommendations and operating procedures before putting the machine to use. Carefully read, understand and follow these recommendations and insist that they be followed by those who will use this attachment.



THIS SAFETY ALERT SYMBOL IDENTIFIES AN IMPORTANT SAFETY MESSAGE IN THIS MANUAL THAT HELPS YOU AND OTHERS AVOID PERSONAL INJURY OR EVEN DEATH. DANGER, WARNING, AND CAUTION ARE SIGNAL WORDS USED TO IDENTIFY THE LEVEL OF HAZARD. HOWEVER, REGARDLESS OF THE HAZARD, BE EXTREMELY CAREFUL.

DANGER: Signals an extreme hazard that will cause serious injury or death if recommended precautions are not followed.

WARNING: Signals a hazard that may cause serious injury or death if the recommended precautions are not followed.

CAUTION: Signals a hazard that may cause minor or moderate injury if the recommended precautions are not followed.

Record your attachment serial number and purchase date in the section reserved below (there is no serial number on the subframe). Your dealer requires this information to give you prompt, efficient service when ordering replacement parts. Use only genuine parts when replacements are required.

If warranty repairs are required please present this registration booklet and original sales invoice to your selling dealer for warranty service.

This manual should be kept for future reference.

Please check if you have received all the parts for your kit with the list of the bag and the list of the box.

SERIAL NUMBER : _____
(IF APPLICABLE)

MODEL NUMBER: _____

PURCHASE DATE : _____



SAFETY PRECAUTIONS



Careful operation is your best insurance against an accident. Read this section carefully before operating the vehicle and accessory. This accessory is capable of amputating hands and feet and throwing objects. Failure to observe the following safety instructions could result in serious injury. All operators, no matter how experienced they may be, should read this and other manuals related to the vehicle and accessory before operating. It is the owner's legal obligation to instruct all operators in safe operation of the accessory.

GLOSSARY:

In this manual, right and left sides are determined by sitting on the seat of the vehicle facing forward.

In this manual, "accessories" means attachments (snowblower, rotary broom, blade etc.) that you install on the vehicle (lawn tractors, A.T.V. s etc).

TRAINING:



This symbol, "Safety Alert Symbol", is used throughout this manual and on the accessory's safety labels to warn of the possibility of serious injury. Please take special care in reading and understanding the safety precautions before operating the vehicle and accessory.

1. Read this owner's manual carefully. Be thoroughly familiar with the controls and proper use of the vehicle and accessory. Know how to stop the unit and disengage the controls quickly.
2. Never allow children to operate the vehicle nor the accessory. Never allow adults to operate the vehicle nor the accessory without proper instructions.
3. No one should operate the vehicle nor the accessory while intoxicated or while taking medication that impairs the senses or reactions.
4. Keep the area of operation clear of all people, particularly small children and pets.
5. Never start or operate the accessories except from the operator's station on the power unit except if this is impossible.

PREPARATION:

1. Thoroughly inspect the area where the accessory is to be used and remove door mats, all foreign objects and the like.
2. For motorized accessories, disengage all clutches and shift into neutral before starting engine.
3. Do not operate the accessory without wearing adequate winter outer garments. Avoid loose fitting clothing that can get caught in moving parts. Wear footwear that will improve footing on slippery surfaces.

4. Handle fuel with care, it is highly flammable.
 - a) Use approved fuel container.
 - b) Never add fuel to a running engine or hot engine.
 - c) Fill fuel tank outdoors with extreme care. Never fill fuel tank indoors.
 - d) Never fill containers inside a vehicle, or on a truck or a trailer bed with a plastic liner. Always place containers on the ground, away from your vehicle, before filling.
 - e) When practical, remove gas-powered equipment from the truck or trailer and refuel it on the ground. If this is not possible, then refuel such equipment on a trailer with a portable container, rather than from a gasoline dispenser nozzle.
 - f) Keep the nozzle in contact with the rim of the fuel tank or container opening at all times, until refueling is complete. Do not use a nozzle lock-open device.
 - g) Replace fuel cap securely and wipe up spilled fuel.
 - h) If fuel is spilled on clothing, change clothing immediately.
5. Never attempt to make any adjustments while the engine (motor) is running (except when specifically recommended by manufacturer).
6. Let the vehicle and accessory adjust to outdoor temperatures before using.
7. Never use an accessory without proper guards, plates, or other safety protective devices in place
8. Always make sure to wear the appropriate safety equipment required (glasses, muffs, mask...) for each type of product. See operation section.
9. Always make sure of having safe traction on the vehicle by using the recommended accessories (chains, A.T.V. tracks, counterweights...). See operation section.
10. Always make sure all components are correctly installed. (driveline securely attached and locked at both ends, belts properly installed...)
11. If applicable, always handle the winch cable with thick leather gloves.
12. **Never modify the accessory or any part without the written consent from the manufacturer.**



SAFETY PRECAUTIONS



OPERATION:

1. Do not put hands or feet near, under or inside rotating parts.
2. Exercise extreme caution when operating on or crossing gravel drives, walks or roads. Stay alert for hidden hazards or traffic. Do not carry passengers.
3. After striking a foreign object, stop the engine (motor), disconnect the wire from the spark plug(s) and keep wire away to prevent accidental starting. Thoroughly inspect the accessory for any damage and repair damage before restarting and using the accessory.
4. If the unit should start to vibrate abnormally, stop the engine (motor) and check immediately for the cause. Vibration is generally a warning of trouble.
5. Take all possible precautions when leaving the vehicle unattended. Disengage the power take-off, lower the attachment, place the transmission into neutral, set the parking brake, stop the engine and remove the ignition key.
6. Do not run the engine indoors, except when starting the engine and for transporting in or out of the building. Do not operate or let motor run in a storage area without ventilation because gas contains carbon monoxide which is odorless, colorless and can cause death.
7. Never use the accessories across the face of slopes, go from top to bottom. Exercise extreme caution when using equipment on slopes. Do not attempt to clear a steep slope.
8. Never tolerate bystanders in the working zone. Never use an accessory in the direction of bystanders, it might throw gravel or debris that can hurt people or damage property.
9. Never operate the accessory at high transport speeds on slippery surfaces. Use care when backing up.
10. Do not carry passengers.
11. Disengage power to the accessory when it is transported or not in use.
12. Never operate the accessory without good visibility or light.
13. Keep the accessory away from heat sources or flames.
14. If applicable, never handle the winch cable or hook while in tension.

MAINTENANCE AND STORAGE

1. When cleaning, repairing or inspecting the vehicle and accessory: stop the engine, set brake, remove ignition key, and wait that all moving parts have stopped. For gasoline engine, disconnect wire from the spark plug(s) and keep wire away to prevent accidental starting.
2. Check all the bolts and components at frequent intervals to make sure that they are properly tightened.
3. Never store a motorized accessory with fuel in the fuel tank inside a building where ignition sources are present such as hot water and space heaters, clothes dryers, and the like. Allow the engine to cool before storing in any enclosure.
4. Always refer to the owner's manual when you store the accessory and vehicle for a prolonged or an unspecified length of time.
5. Maintain or replace safety and instruction labels, as necessary.
6. For winter accessories, (if applicable), let the engine run for a few minutes after clearing snow in order to prevent the rotary parts from freezing.
7. Inspect the vehicle's and accessory's air filter (if applicable) every day. Clean it or replace it as necessary. Change the oil more often when working in dusty conditions. See the vehicle's and accessory's owner's manual.

TRANSPORT




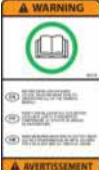

1. Review Transport Safety instructions in vehicle manual before moving.
2. Check with local authorities regarding transport on public roads. Obey all applicable laws and regulations.
3. Make sure all lights and reflectors that are required by the local highway and transport authorities (example : SMV (Slow Moving Vehicle)) are in place, are clean, and can be seen clearly by all overtaking and oncoming traffic.
4. Never have the equipment in operation during transport.
5. Always travel at a safe speed.



SAFETY DECALS



REPLACE IF DECALS ARE DAMAGED
SEE PARTS BREAKDOWN FOR DECAL LOCATION

Symbol	Description
Decal #105126 	To avoid serious injury: Keep hands, feet & clothing away from rotating auger while the vehicle's engine is running.
Decal #105127 	To avoid serious injury: Keep hands out of this discharge chute while the vehicle's engine is running.
Decal #105852 	To avoid serious injury: Keep people and clothing away. Do not operate without all driveline, tractor and equipment shields in place, nor without the drivelines securely attached at both ends.
Decal #105130 	Before installing or using: Locate, read and make sure to understand all of the owner's manual.
Decal #105131 	Refer to owner's manual about wearing safety glasses, ear muffs and mask. Refer to owner's manual for use of counter weights, cat tracks and tire chains.

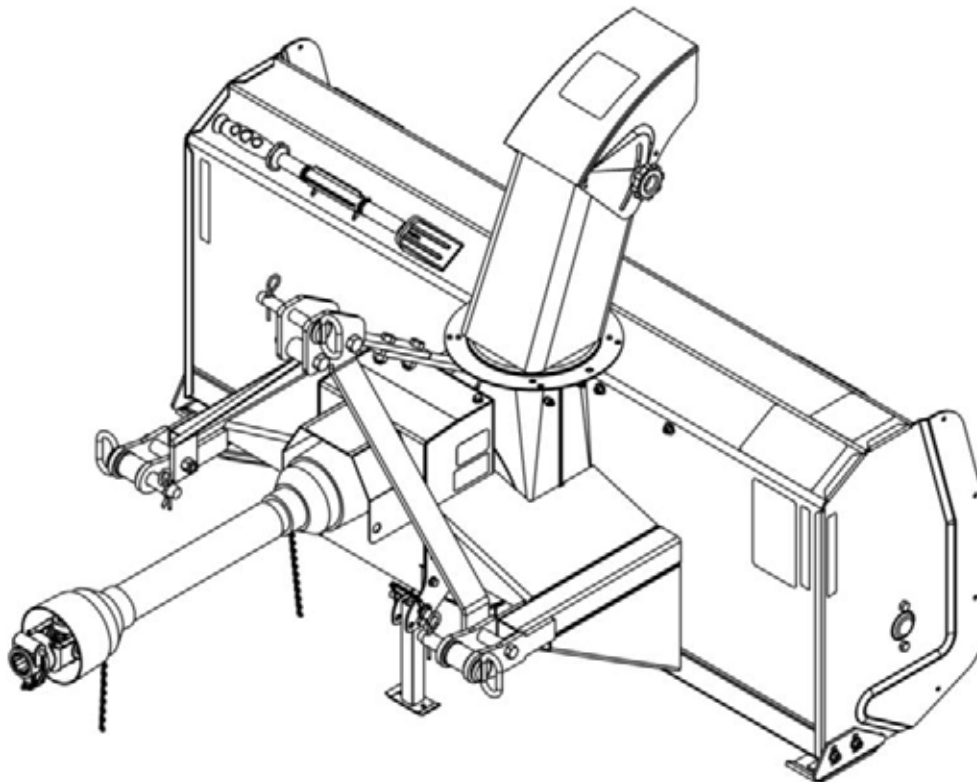
ASSEMBLY

ASSEMBLY INSTRUCTIONS

IMPORTANT: UNLESS OTHERWISE SPECIFIED TORQUE ALL BOLTS ACCORDING TO TORQUE SPECIFICATION TABLE (SEE TABLE OF CONTENTS) WHEN STATED: TIGHTEN FIRMLY. REFER TO PARTS BREAKDOWN SECTION FOR PART IDENTIFICATION.

NOTE: In this manual, the right and left side is determined being at the rear of the snowblower

Remove the snowblower from the shipping crate.
Remove the support plates from the skid shoes.
Remove the other components from the crate.



Overall view

TOOLS REQUIRED

Ratchet
Sockets: 3/4" , 15/16" , 1/2" , 7/16"
Wrench: 3/4" , 15/16" , 1/2" , 7/16"
Allen key

ASSEMBLY

STEP 1

SNOWBLOWER PREPARATION:

Refer to parts breakdown section for parts identification.

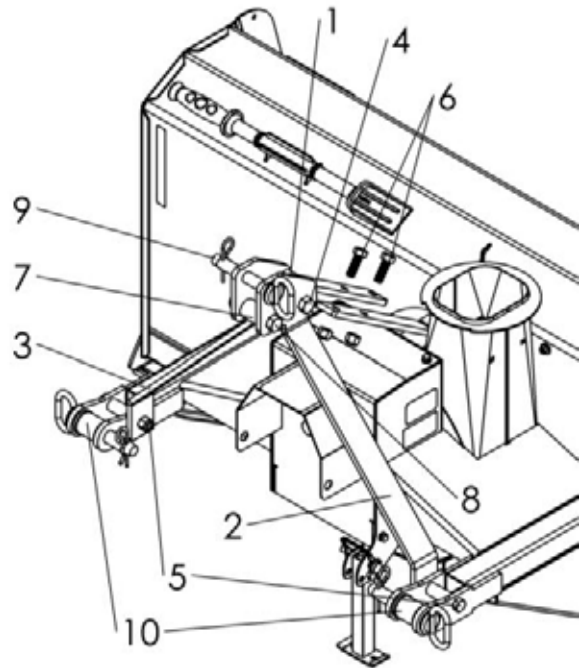
Rear hitch installation

Install the link (item 1) with the right lever arm (item 2) and the left lever arm (item 3) with a bolt 5/8" x 3-1/2" (item 4) and a nylon insert locknut 5/8.

Install this assembly on the snowblower with 2 bolts 1/2" x 3-3/4" (item 5) and nut 1/2". Then, install the link (item 4) with 2 bolts 1/2" x 1-1/2" (item 6) and 2 nylon insert locknut 1/2".

Install the sleeve (item 7) with a bolt 5/8" x 3-1/2"(item 8) and a nylon insert locknut 5/8"

Finally, put in place the pin with hair pin (item 9)



Note : This snowblower can be installed on a tractor with a standard 3 point hitch category 1 and on a tractor equipped with an 3points quick hitch category 1. To install with the quick hitch the sleeve (item 10) must be in place. For a standard 3 points hitch, the sleeve must be removed.

Chute installation

Install the metal rotation ring (item 1) over the opening of the chute as shown. This rotating ring is provided in your rotation kit (electric or hydraulic)

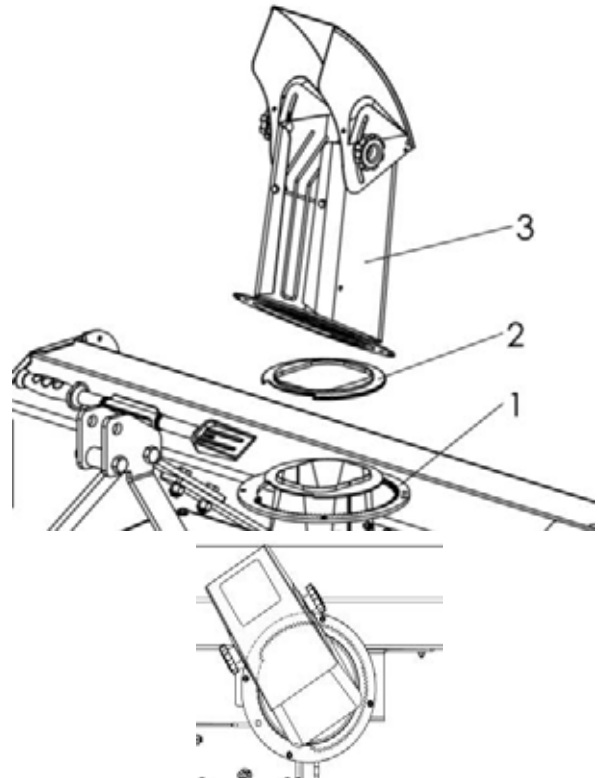
Install the nylon rotation ring (item 2) over the opening of the chute as shown.

Place the chute (item 3) facing the rear of blower on the opening as shown.

Clip the back under the rotation ring and turn the chute towards the front to lock into place.

Then finalise the installation of the chute rotation and/ or deflection kit

NOTE : When installing the chute rotation kit : make sure the chute is rotating in the direction of the front of the snowblower not in the direction of the tractor. If the chute is rotation in the direction of the tractor flip the rotating ring. (item 1)



ASSEMBLY

STEP 2

PTO DRIVESHAFT PREPARATION AND INSTALLATION

Refer to parts breakdown section for parts identification.

The length of the PTO drive shaft must be adjusted in regards to the length of the arms of the tractor or the options installed on the tractor (example : 3 point quick hitch) or the location of the PTO on the tractor.

PTO drive shaft length required

Install the snowblower on your tractor

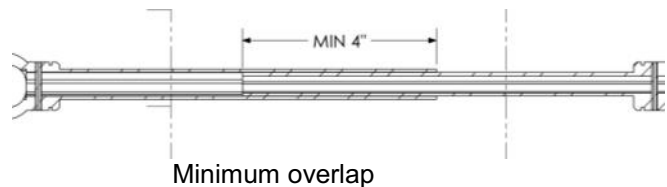
The length of the drive shaft must be :



Maximum : Make sure the shaft is not bottoming within all movement range of the accessory/3 points hitch.

Minimum : It has to be long enough to make sure that within all movement range of the accessory that the pto drive shaft has a minimum overlap of 4 inches.

See next section if you need to adjust the length of the PTO shaft

NOTE : is the owner's / user's responsibility to make sure the installation meets these requirements.



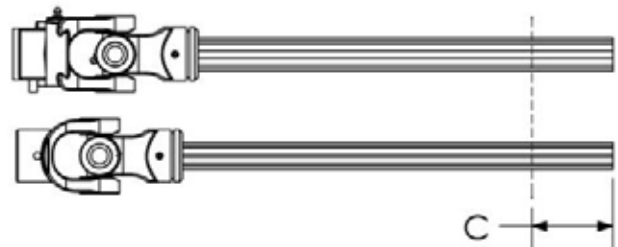
	WARNING	
TO PREVENT INJURIES: Never leave the driver seat without disengaging the snowblower, stopping the engine, applying the parking brakes and removing the ignition key.		

PTO drive shaft length adjustment

If needed, remove the length C from the PTO shaft

To cut the PTO driveshaft :

- a. Remove the PTO guards.
- b. Cut the male and female part of the driveshaft of the same length (distance C) then deburr the end of the drives shaft that were cut
- c. Cut the 2 PTO guards of the same length
- d. Grease all metallic part
- e. Reinstall the guards



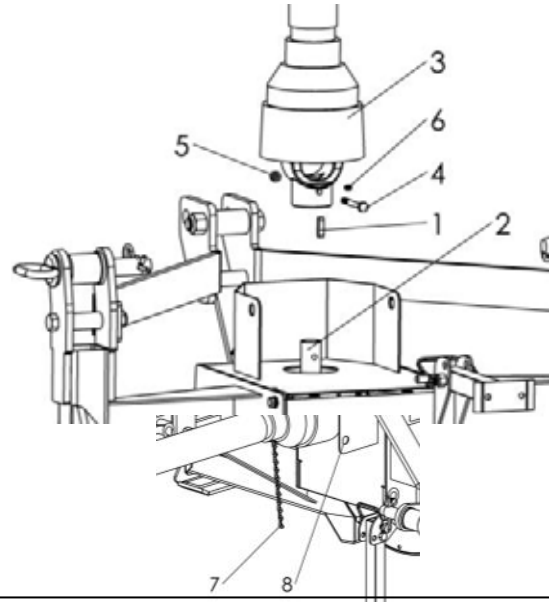
ASSEMBLY

PTO driveshaft installation

Note : putting the snowblower face down will help for this installation

Install the key (item 1) on the snowblower input shaft (item 2).

Install the PTO driveshaft (item 3) on the snowblower input shaft. Then install a bolt 1/4" x 2-1/2" (item 4) and a nylon insert locknut 1/4" (item 5).
Finalize the installation by tightening the setscrew (item 6)



PTO driveshaft chain installation

Install the PTO driveshaft chain (item 7) on the snowblower hole (item 8)

STEP 3

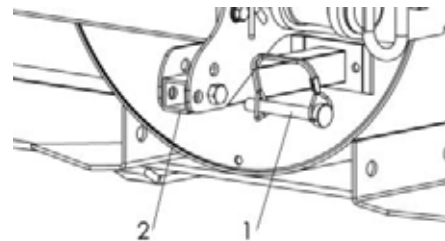
INSTALL THE SNOWBLOWER ON THE TRACTOR

Refer to parts breakdown section for parts identification.

Remove the parking stand after installing on the tractor 3 points hitch. :

Remove the lock pin (item 1) then the parking stand (item 2) must be pivoted and locked in place with the lock pin

Install the PTO driveshaft on the input shaft of the tractor



STEP 4

TRACTOR AND SNOWBLOWER ADJUSTEMENT

Refer to parts breakdown section for parts identification.



CAUTION



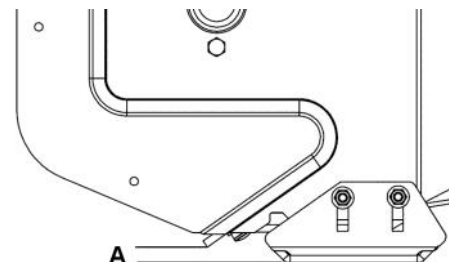
The lift span of the 3 point hitch must be adjusted to ensure the PTO driveshaft will not be damaged :

Adjust the lower and higher stopper location on the 3 points hitch lifting lever on the tractor. The lifting stopper must be adjusted to ensure the PTO driveshaft angle is not more than 35 degrees
In addition the PTO tractor output shaft and the snowblower input shaft must be parallel. If this is not the case, you must adjust the top link of the 3 point quick hitch.

Skid shoe adjustment:

LEVEL PAVED SURFACE: Adjust skid shoes to allow 3/16" to 1/4" or 5mm to 7mm clearance (A) between cutting edge and surface.

UNEVEN OR GRAVEL SURFACE: Adjust skid shoes to allow 1/2" to 5/8" or 13mm to 16mm clearance (A) between cutting edge and surface.



OPERATION

NOTE: To increase the life span of the components, always disengage the snowblower when it is raised at top level.

SNOWBLOWER OPERATION **IMPORTANT:**

Always inspect the hydraulic components and hoses before using. Replace any damaged or worn parts immediately. If you suspect a hose leak, **DO NOT** use your hand to locate it. Use a piece of cardboard or wood.

- Make sure the snowblower is clear of snow before engaging the snowblower.
- Make sure that the auger and impeller operate freely.
- Start the tractor engine.
- Before engaging the snowblower drive, always have the engine running at medium R.P.M.
- Operate the snowblower at maximum engine R.P.M when removing wet or sticky snow. A low R.P.M. will tend to plug the chute.
- Always make sure that the hydraulic hoses **never** come into contact with the mobile elements on the vehicle.
- Always make sure that the electric wires **never** come into contact with the mobile elements on the vehicle.

CONTROLS

CHUTE ROTATION

Use the tractor's hydraulic control to turn the chute from one side to the other with the hydraulic chute rotation option. For electric option, use the electric control of the kit. If the chute does not turn in the desired direction, review the rotation kit installation.

CHUTE DEFLECTOR

Set the angle of the deflector according to the distance the snow must be thrown and to prevent property damage. To change the deflector angle, loosen the two deflector knobs & adjust the deflector to the appropriate angle and retighten the two knobs securely.

SNOW REMOVAL

When removing snow, do not use the snowblower as a dozer blade to push snow. Allow snowblower to ingest snow at its own speed. If the speed of your tractor is too fast, the snowblower may become overloaded and plug. For best results, raise the snowblower and remove a top layer of snow. A second pass with the snowblower will remove the remaining snow.



WARNING



Read the tractor Owner's Manual carefully. Be thoroughly familiar with the controls & proper use of the attachment. Know how to stop the attachment & disengage the controls quickly.



WARNING



Hand contact with the rotating impeller inside the discharge chute is the most common cause of injury associated with snowblowers. Never use your hand to clean out the discharge chute.

- Do not attempt to clear plugged chute, auger or fan of snow while the tractors engine is running.
- Disengage snowblower.
- Lower snowblower to the ground and set parking brake.
- SHUT THE ENGINE OFF & REMOVE KEY!**
- Wait 10 seconds to be sure that all moving parts such as the impeller blades have stopped moving.
- Always use the clean-out tool (chute shovel) supplied with this snowblower, **NOT YOUR HANDS**



WARNING



TO PREVENT INJURIES:
Never leave the driver seat without disengaging the snowblower, stopping the engine, applying the parking brakes and removing the ignition key. Never operate on slopes of more than 10%.



WARNING



- Always check to see that both ends of the PTO shaft are securely attached every time the snowblower is used.
- This should always be done with the tractor engine off
- Do not run the snowblower without the PTO shield in place
- Operate only with ROPS and seatbelt equipped tractors
- Never operate over 540 PTO rpm speed

MAINTENANCE



WARNING



TO PREVENT INJURIES:
Stop the snowblower motor.
Apply parking brake.
Remove the ignition key.

MAINTENANCE

- Check mounting bolts at frequent intervals for proper tightness in order to prevent costly repairs. Make sure your snowblower is in safe working condition.
- Provide adequate blocking before working under the snowblower when in raised position.

ADJUSTMENTS

Skid shoe adjustment:

LEVEL PAVED SURFACE: Adjust skid shoes to allow 3/16" to 1/4" or 5mm to 7mm clearance between cutting edge and surface.

UNEVEN OR GRAVEL SURFACE: Adjust skid shoes to allow 1/2" to 5/8" or 13mm to 16mm clearance between cutting edge and surface.

CUTTING EDGE MAINTENANCE

Verify from time to time the wearing on the cutting edge to make sure you do not wear out the base of the snowblower's chassis. This cutting edge is reversible.

AUGERS, FAN AND DRIVESHAFT SHEAR BOLT REPLACEMENT

Shear bolts are to be considered a preventive measure and not an assured protection. Operator vigilance is required. Thoroughly inspect the areas where the snowblower is to be used and remove all foreign objects.

To avoid damage to the snowblower:

Use only the original shear bolts (grooved bolts).

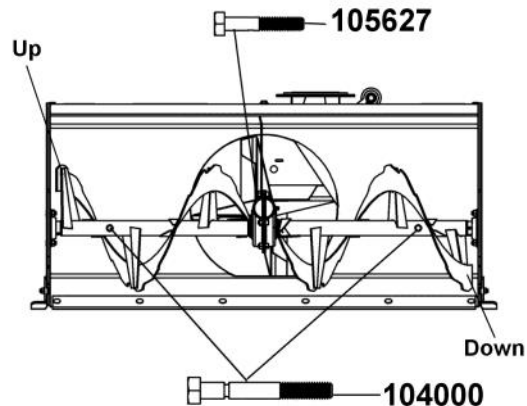
#104000 in bags of 10 for the augers.

#105627 in bags of 10 for the fan.

Refer to parts breakdown for the driveshaft

The use of any other shear bolt will not insure any protection and may void the warranty.

IMPORTANT: IT IS VERY IMPORTANT TO REPLACE THE AUGERS IN THE SAME POSITION AS SHOWN IN THE DRAWING BEFORE INSTALLING THE SHEAR BOLTS.



LUBRICATION

Apply oil at all pivot points.

Chute Rotation System: Oil chute base every sixteen hours of operation.

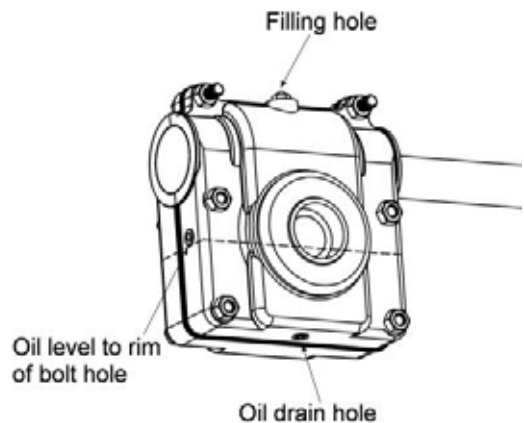
Gear box:

Check the oil annually. If necessary, add AGMA 5 EP or SAE 90 oil.

The gear box should have a total of 275 ml of oil or filled to the rim of the bolt hole when installed on the snowblower. (see figure).

PTO drive shaft and greasable bearings:

Grease at each 8hour of use



Gear Box

MAINTENANCE



WARNING



TO PREVENT INJURIES:

Park the vehicle on a flat surface

Disengage the P.T. O.

Lower the attachment to the ground.

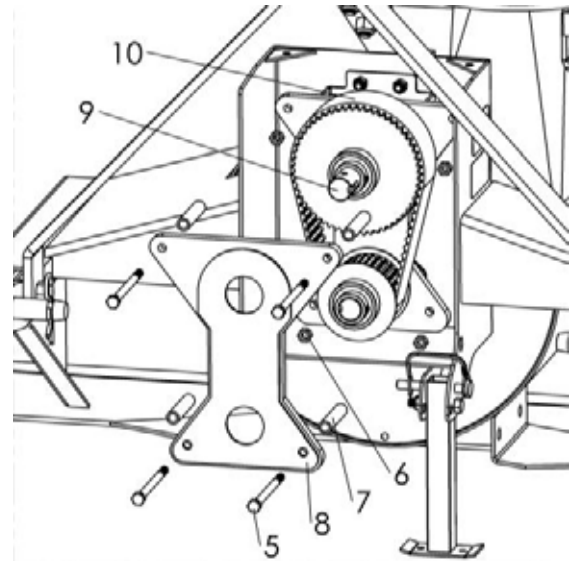
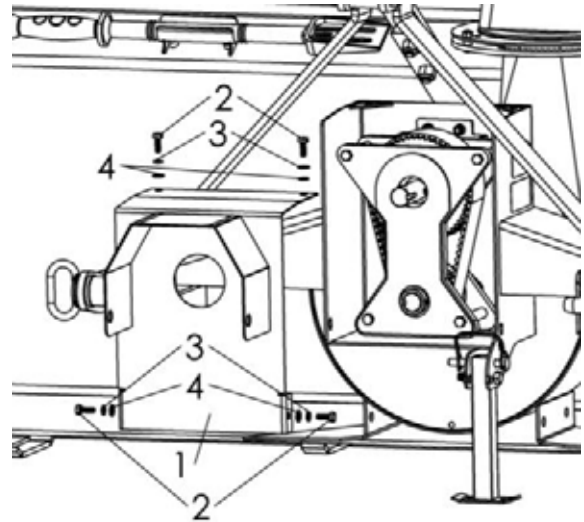
Apply parking brake.

Stop the motor and remove the ignition key.

Wait until all moving parts have stopped before leaving the driver's seat.

BELT REPLACEMENT:

- 1) Turn snowblower face down.
- 2) Remove the half driveline (See snowblower assembly section).
- 3) Remove the driveline guard (item 1) by removing the four 5/16" x 3/4" hex bolts (item 2), four lock washers (item 3) and four flat washers (item 4).
- 4) Loosen the four 5/16" x 4 1/2" bolts (item 5), four 5/16" nuts (item 6) and four sleeves (item 7) (see location of the parts in the parts breakdown for snowblower).
- 5) Remove rear support plate (item 8).
- 6) Remove input shaft (item 9).
- 7) Change the belt (item 10).
- 8) Reinstall the parts by reversing the steps. Tighten all the bolts firmly.



DANGER



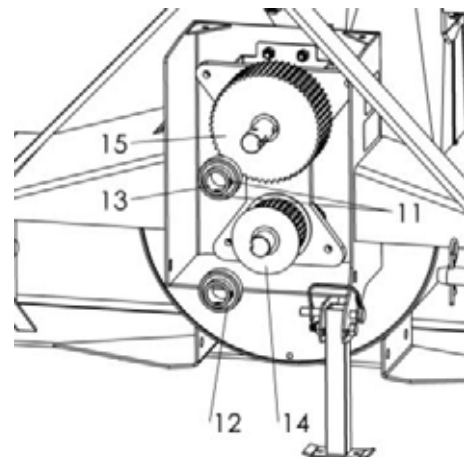
CONTACT WITH ROTATING DRIVELINE CAN CAUSE SEVERE INJURY OR DEATH.

Operate only when all driveline, tractor and equipment guards are in place.

Be sure driveline securely attached and locked at both ends before operating.

SNOWBLOWER PULLEY REPLACEMENT

- 1) Repeat steps 1 to 6 in the Belt Replacement section.
 - 2) Untighten the set screws (item 11) on the bearings.
 - 3) Remove the bearings (item 12 or 13) from the required pulleys.
 - 4) Remove damaged pulley (item 14 or 15) and reinstall new one.
 - 5) Reinstall the parts by reversing the steps
- NOTE:** Tighten the set screws at 94 lbf in.
Tighten firmly all the bolts.



DISMOUNTING & STORAGE

SNOWBLOWER DISMOUNTING



WARNING



TO PREVENT INJURIES:

Park the vehicle on a flat surface in a well ventilated area.

Disengage the P.T. O.

Lower the accessory and stop the engine

Apply parking brake.

Wait until all moving parts have stopped before leaving the driver's seat.

Use wheel chocks.

END OF SEASON STORAGE

- a) Clean thoroughly and repaint all parts from which paint has worn.
- b) List the replacement parts that will be needed for the next season.
- c) Store the components in a dry place.
- d) Follow the instructions in the Lubrication section.

Lower the parking stand then remove the snowblower from the 3points hitch

ATTENTION: Always install the protective covers on the ends of the hydraulic hoses when they are disconnected. This is to prevent any pollutants from entering the vehicle's accessory's hydraulic system.

ATTENTION: Clean up all oil spills to prevent accidents.

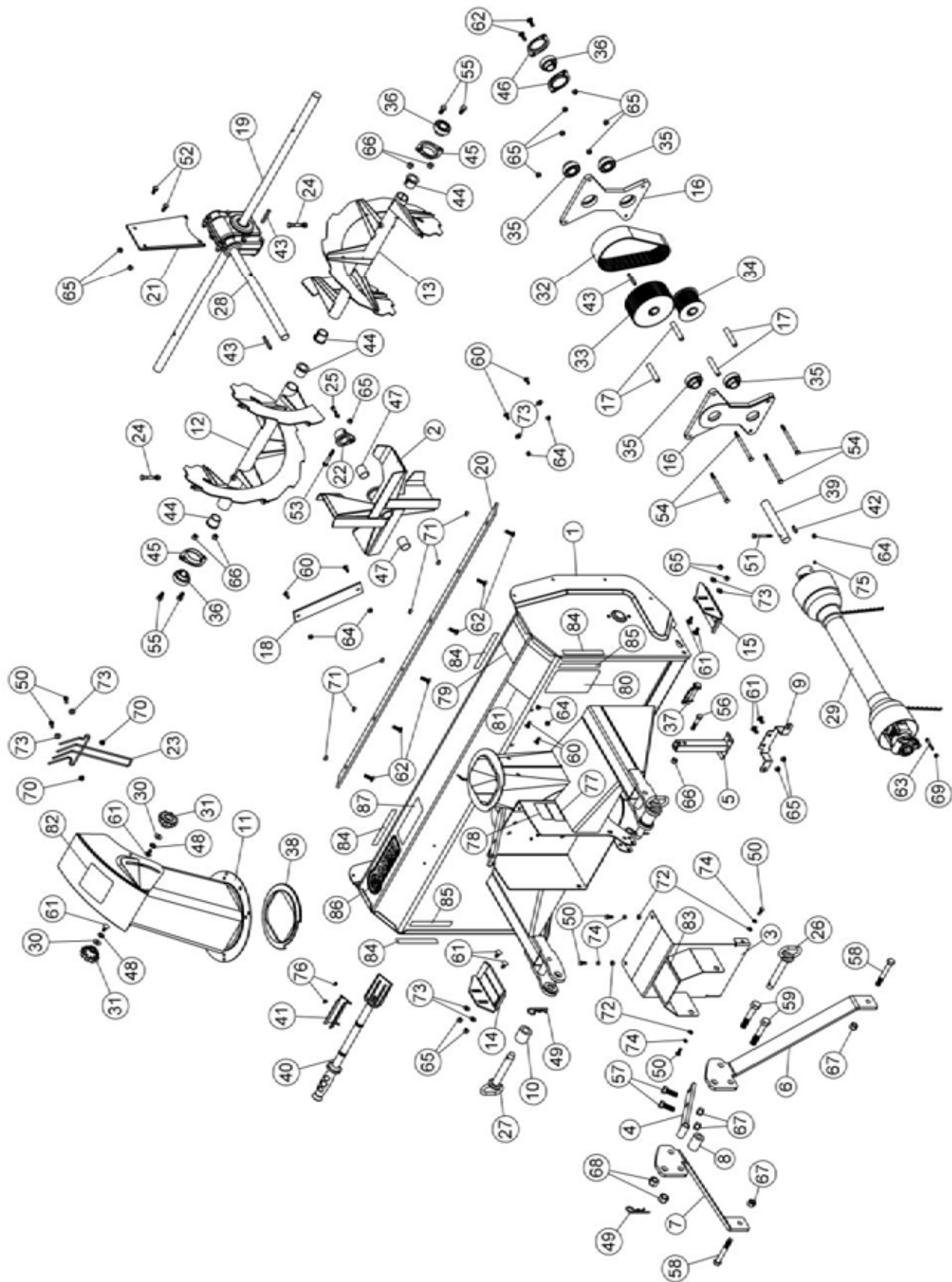
TROUBLESHOOTING

* Please refer to parts breakdown section for parts identification.

PROBLEM	POSSIBLE CAUSES	CORRECTIVE ACTION
Snowblower vibrates or is abnormally noisy.	Damaged pulley.	Replace pulley.
	Damaged drive shaft.	Replace drive shaft.
	Damaged bearing.	Replace bearing.
	Damaged fan.	Dismount & repair or replace fan.
	Driveline is not well installed.	Reinstall the driveline according to the instructions in Step 3.
	The PTO drive shaft angle is more than 35degree	Lower the snowblower
	The snowblower input shaft and tractor output shaft are not parallel	Adjust the top link of the 3 points hitch
	One or both sections of the auger is bent.	Replace one or both sections of auger.
One or both sections of the auger have stopped turning.	Shear bolt is probably broken.	Replace shear bolt (for identification, see Parts List "Snowblower"). Also see "Maintenance" section.
Snowblower stopped turning.	The belt is damaged or snapped.	Check & replace damaged belt (see instructions in section: Belt replacement & adjustments.
	Damaged drive shaft.	Replace drive shaft.
Belt is worn at a specific point.	Snowblower was engaged when already plugged.	Make sure auger & fan are not plugged or frozen before engaging snowblower.
Chute rotation is difficult.	Dirt or ice may be underneath chute.	Clean the base of chute & the rotation ring.
	The base of the chute or the rotation ring may be damaged or bent.	Replace defective parts.
The chute plugs easily.	Vehicle engine is turning too slowly.	Always have engine at full R.P.M. when using the snowblower.
	Advancing too quickly with vehicle.	Reduce speed. Allow snowblower to ingest snow at its own speed.
Snowblower digs into ground.	Ground is not frozen or too soft.	Adjust skid shoes lower so they may better support the snowblower.
Snowblower does not raise evenly.	Uneven tire pressure from one side to another or 3 points hitch misnstalled	Refer to the vehicle's owner manual for tire pressure. Check and adjust tractor tire pressure. Tire pressure must be even on both sides of vehicle.

PART LIST

3 POINTS SNOWBLOWER 48"



PART LIST

3 POINTS SNOWBLOWER 48"

Ref. Réf.	English description	Description française	Qty. Qté.	Part # Pièce #
1	48" frame with decals & cutting edge	Châssis 48" avec décalques et racloir	1	106737
2	Fan	Éventail	1	106727
3	Driveline guard with safety decal	Garde de l'arbre à cardan avec déc. de sec.	1	106783
4	Link	Lien	1	106729
5	Parking Stand	Pied de Stationnement	1	106730
6	Right Lever Arm	Bras de Levier Droit	1	106731
7	Left Lever Arm	Bras de Levier Gauche	1	106732
8	Sleeve	Douille	1	106733
9	Support d'engrenage	Gear support	1	106734
10	Sleeve	Douille	2	106735
11	Chute with safety decal	Goulotte avec décalque de sécurité	1	106784
12	Auger 48" left	Vis 48" gauche	1	105793
13	Auger 48" right	Vis 48" droite	1	105794
14	Left skid shoe	Patin gauche	1	105795
15	Right skid shoe	Patin droit	1	105796
16	Rear support plate	Plaque de support arrière	2	106487
17	Sleeve	Douille	4	106370
18	Reinforcement	Renfort	1	105484
19	Shaft 48"	Arbre 48"	1	104721
20	Cutting edge 48"	Racloir 48"	1	105825
21	Gear box support	Support de boîte d'engrenage	1	105787
22	Shear plate	Plaque de cisaillement	1	103933
23	Hand guard	Fourche protectrice	1	102012
24	Shear bolt / N.I.L.N. (auger) pkg-10	Boulon de séc. / É.G.N. (vis) pqt-10	2	104000
25	Shear bolt / N.I.L.N. (fan) pkg-10	Boulon de séc./ É.G.N. (éven.) pqt-10	1	105627
26	Pin with hair pin 4mm	Goupille avec goupille à ressort 4mm	1	106736
27	Pin with hair pin 4mm	Goupille avec goupille à ressort 4mm	2	106738
28	Gear Box Right Rotation	Boîte d'Engrenage Rotation Droite	1	106714
29	Driveline	Arbre à Cardan	1	106715
30	Nylon flat washer 11/32"	Rondelle plate de nylon 11/32"	2	102009

O/L = Obtain Locally

PART LIST
3 POINTS SNOWBLOWER 48"

Ref. Réf.	English description	Description française	Qty. Qté.	Part # Pièce #
31	Knob	Bouton	2	102020
32	Timing belt 640-8MT-50	Courroie synchronisée 640-8MT-50	1	105765
33	Sprocket	Pignon	1	106488
34	Sprocket	Pignon	1	106313
35	Bearing with set screw	Roulement à billes avec vis à pression	4	103242
36	Bearing with set screw	Roulement à billes avec vis à pression	3	102755
37	Lock pin	Tige de verrouillage	1	103563
38	Rotation ring	Anneau de rotation	1	103943
39	Input shaft	Arbre d'entrée	1	105771
40	Chute shovel	Pelle à goulotte	1	105700
41	Chute shovel support	Support de pelle à goulotte	1	105701
42	Key 1/4" x 1/4" x 1.000"	Clé 1/4" x 1/4" x 1.000"	1	102017
43	Key 1/4" x 1/4" x 2"	Clé 1/4" x 1/4" x 2"	3	102922
44	Rotation bushing	Coussinet de rotation	4	103946
45	Flangette	Flangette	2	102680
46	Flangette	Flangette	2	102213
47	Oil lite bushing	Coussinet imprégné d'huile	2	102784
48	Nylon flat washer 7/16"	Rondelle plate de nylon 7/16"	2	102011
49	Hair pin 4mm	Goupille à ressort 4mm	3	102054
50	Hex. bolt 1/4" n.c. x 3/4" GR5	Boulon hex. 1/4" n.c. x 3/4" GR5	6	O/L
51	Hex. bolt 1/4" n.c. x 2 1/2" GR5	Boulon hex. 1/4" n.c. x 2 1/2" GR5	1	O/L
52	Hex. bolt 5/16" n.c. x 3/4" GR5	Boulon hex. 5/16" n.c. x 3/4" GR5	2	O/L
53	Hex. bolt 5/16" n.c. x 2 1/4" GR5	Boulon hex. 5/16" n.c. x 2 1/4" GR5	1	O/L
54	Hex. bolt 5/16" n.c. x 4 1/2" GR5	Boulon hex. 5/16" n.c. x 4 1/2" GR5	4	O/L
55	Hex. bolt 3/8" n.c. x 3/4" GR5	Boulon hex. 3/8" n.c. x 3/4" GR5	4	O/L
56	Hex. bolt 3/8" n.c. x 2" GR5	Boulon hex. 3/8" n.c. x 2" GR5	1	O/L
57	Hex. bolt 1/2" n.c. x 1 1/2" GR5	Boulon hex. 1/2" n.c. x 1 1/2" GR5	2	O/L
58	Hex. bolt 1/2" n.c. x 3 3/4" GR5	Boulon hex. 1/2" n.c. x 3 3/4" GR5	2	O/L
59	Hex. bolt 5/8" n.c. x 3 1/2" GR5	Boulon hex 5/8" n.c. x 3 1/2" GR5	2	O/L
60	Carriage bolt 1/4" n.c. x 3/4 " GR5	Boulon à carrosserie 1/4" n.c. x 3/4" GR5	6	O/L

O/L = Obtain Locally

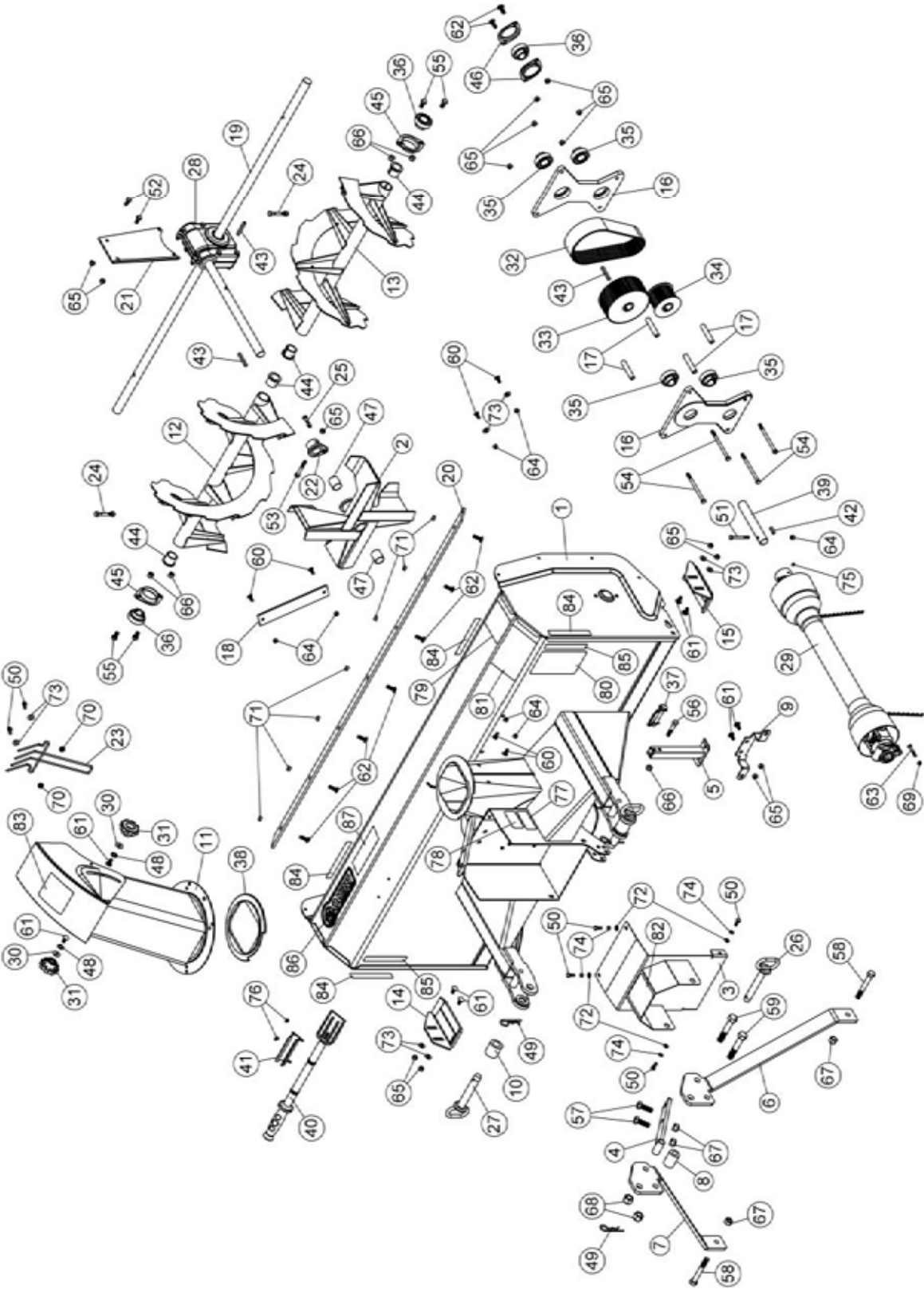
PART LIST

3 POINTS SNOWBLOWER 48''

Ref. Réf.	English description	Description française	Qty. Qté.	Part # Pièce #
61	Carriage bolt 5/16" n.c. x 3/4 " GR5	Boulon à carrosserie 5/16" n.c. x 3/4 " GR5	8	O/L
62	Carriage bolt 5/16" n.c. x 1 " GR5	Boulon à carrosserie 5/16" n.c. x 1 " GR5	8	O/L
63	Hex. bolt M6 x 1.00 x 40 GR8.8	Boulon hex. M6 x 1.00 x 40 GR8.8	1	O/L
64	Nylon Insert lock Nut 1/4" n.c.	Écrou à garniture de nylon 1/4" n.c.	7	O/L
65	Nylon Insert lock Nut 5/16" n.c.	Écrou à garniture de nylon 5/16" n.c.	15	O/L
66	Nylon Insert lock Nut 3/8" n.c.	Écrou à garniture de nylon 3/8" n.c.	5	O/L
67	Nylon Insert lock Nut 1/2" n.c.	Écrou à garniture de nylon 1/2" n.c.	4	O/L
68	Nylon Insert lock Nut 5/8" n.c.	Écrou à garniture de nylon 5/8" n.c.	2	O/L
69	Nylon Insert lock Nut M6 x 1.00	Écrou à garniture de nylon M6 x 1.00	1	O/L
70	Flange nut 1/4" n.c.	Écrou à bride 1/4" n.c.	2	O/L
71	Stover lock nut 5/16" n.c.	Écrou de blocage 5/16" n.c.	6	O/L
72	Flat washer 1/4" hole	Rondelle plate 1/4" trou	4	O/L
73	Flat washer 5/16" hole	Rondelle plate 5/16" trou	8	O/L
74	Lock washer 1/4"	Rondelle de blocage 1/4"	4	O/L
75	Socket head set screw 1/4" n.c. x 5/16" (knurled)	Vis à pression à tête plate 6PC 1/4" n.c. x 5/16"	1	O/L
76	Socket Head Cap Screw M5 x 0.80 x 10	Vis six PC tête ronde M5 x 0.80 x 10	2	O/L
77	Serial number	Numéro de série	1	REF
78	Made in Canada decal	Décalque Fabriqué au Canada	1	REF
79	Decal danger auger	Décalque danger vis	1	105126
80	Decal read instructions	Décalque lire instructions	1	105130
81	Decal warning safety	Décalque avertissement sécurité	1	105131
82	Danger decal chute	Décalque danger goulotte	1	105127
83	Decal PTO	Décalque PTO	1	105852
84	Red reflector decal	Décalque réflecteur rouge	4	106814
85	Yellow reflector decal	Décalque réflecteur jaune	2	106815
86	Berco decal	Décalque Berco	1	102471
87	Pro Series 1000 decal	Décalque Pro Series 1000	1	106807

O/L = Obtain Locally

PART LIST
3 POINTS SNOWBLOWER 56"



PART LIST

3 POINTS SNOWBLOWER 56"

Ref. Réf.	English description	Description française	Qty. Qté.	Part # Pièce #
1	56" Frame with decals & cutting edge	Châssis 56" avec décalques et racloir	1	106782
2	Fan	Éventail	1	106727
3	Driveline guard with safety decal	Garde de l'arbre à cardan avec déc. de sec.	1	106783
4	Link	Lien	1	106729
5	Parking Stand	Pied de Stationnement	1	106730
6	Right Lever Arm	Bras de Levier Droit	1	106731
7	Left Lever Arm	Bras de Levier Gauche	1	106732
8	Sleeve	Douille	1	106733
9	Support d'engrenage	Gear support	1	106734
10	Sleeve	Douille	2	106735
11	Chute with safety decal	Goulotte avec décalque de sécurité	1	106784
12	Auger 56" left	Vis 56" gauche	1	106518
13	Auger 56" right	Vis 56" droite	1	106519
14	Left skid shoe	Patin gauche	1	105795
15	Right skid shoe	Patin droit	1	105796
16	Rear support plate	Plaque de support arrière	2	106487
17	Sleeve	Douille	4	106370
18	Reinforcement	Renfort	1	105484
19	Shaft 56"	Arbre 56"	1	106485
20	Cutting edge 56"	Racloir 56"	1	106486
21	Gear box support	Support de boîte d'engrenage	1	105787
22	Shear plate	Plaque de cisaillement	1	103933
23	Hand guard	Fourche protectrice	1	102012
24	Shear bolt / N.I.L.N. (auger) pkg-10	Boulon de séc. / É.G.N. (vis) pqt-10	2	104000
25	Shear bolt / N.I.L.N. (fan) pkg-10	Boulon de séc./ É.G.N. (éven.) pqt-10	1	105627
26	Pin with hair pin 4mm	Goupille avec goupille à ressort 4mm	1	106736
27	Pin with hair pin 4mm	Goupille avec goupille à ressort 4mm	2	106738
28	Gear Box Right Rotation	Boîte d'Engrenage Rotation Droite	1	106714
29	Driveline	Arbre à Cardan	1	106715
30	Nylon flat washer 11/32"	Rondelle plate de nylon 11/32"	2	102009

O/L = Obtain Locally

PART LIST 3 POINTS SNOWBLOWER 56"

Ref. Réf.	English description	Description française	Qty. Qté.	Part # Pièce #
31	Knob	Bouton	2	102020
32	Timing belt 640-8MT-50	Courroie synchronisée 640-8MT-50	1	105765
33	Sprocket	Pignon	1	106488
34	Sprocket	Pignon	1	106313
35	Bearing with set screw	Roulement à billes avec vis à pression	4	103242
36	Bearing with set screw	Roulement à billes avec vis à pression	3	102755
37	Lock pin	Tige de verrouillage	1	103563
38	Rotation ring	Anneau de rotation	1	103943
39	Input shaft	Arbre d'entrée	1	105771
40	Chute shovel	Pelle à goulotte	1	105700
41	Chute shovel support	Support de pelle à goulotte	1	105701
42	Key 1/4" x 1/4" x 1.000"	Clé 1/4" x 1/4" x 1.000"	1	102017
43	Key 1/4" x 1/4" x 2"	Clé 1/4" x 1/4" x 2"	3	102922
44	Rotation bushing	Coussinet de rotation	4	103946
45	Flangette	Flangette	2	102680
46	Flangette	Flangette	2	102213
47	Oil lite bushing	Coussinet imprégné d'huile	2	102784
48	Nylon flat washer 7/16"	Rondelle plate de nylon 7/16"	2	102011
49	Hair pin 4mm	Goupille à ressort 4mm	3	102054
50	Hex. bolt 1/4" n.c. x 3/4" GR5	Boulon hex. 1/4" n.c. x 3/4" GR5	6	O/L
51	Hex. bolt 1/4" n.c. x 2 1/2" GR5	Boulon hex. 1/4" n.c. x 2 1/2" GR5	1	O/L
52	Hex. bolt 5/16" n.c. x 3/4" GR5	Boulon hex. 5/16" n.c. x 3/4" GR5	2	O/L
53	Hex. bolt 5/16" n.c. x 2 1/4" GR5	Boulon hex. 5/16" n.c. x 2 1/4" GR5	1	O/L
54	Hex. bolt 5/16" n.c. x 4 1/2" GR5	Boulon hex. 5/16" n.c. x 4 1/2" GR5	4	O/L
55	Hex. bolt 3/8" n.c. x 3/4" GR5	Boulon hex. 3/8" n.c. x 3/4" GR5	4	O/L
56	Hex. bolt 3/8" n.c. x 2" GR5	Boulon hex. 3/8" n.c. x 2" GR5	1	O/L
57	Hex. bolt 1/2" n.c. x 1 1/2" GR5	Boulon hex. 1/2" n.c. x 1 1/2" GR5	2	O/L
58	Hex. bolt 1/2" n.c. x 3 3/4" GR5	Boulon hex. 1/2" n.c. x 3 3/4" GR5	2	O/L
59	Hex. bolt 5/8" n.c. x 3 1/2" GR5	Boulon hex 5/8" n.c. x 3 1/2" GR5	2	O/L
60	Carriage bolt 1/4" n.c. x 3/4 " GR5	Boulon à carrosserie 1/4" n.c. x 3/4" GR5	6	O/L

O/L = Obtain Locally

PART LIST

3 POINTS SNOWBLOWER 56"

Ref. Réf.	English description	Description française	Qty. Qté.	Part # Pièce #
61	Carriage bolt 5/16" n.c. x 3/4 " GR5	Boulon à carrosserie 5/16" n.c. x 3/4 " GR5	8	O/L
62	Carriage bolt 5/16" n.c. x 1 " GR5	Boulon à carrosserie 5/16" n.c. x 1 " GR5	9	O/L
63	Hex. bolt M6 x 1.00 x 40 GR8.8	Boulon hex. M6 x 1.00 x 40 GR8.8	1	O/L
64	Nylon Insert lock Nut 1/4" n.c.	Écrou à garniture de nylon 1/4" n.c.	7	O/L
65	Nylon Insert lock Nut 5/16" n.c.	Écrou à garniture de nylon 5/16" n.c.	15	O/L
66	Nylon Insert lock Nut 3/8" n.c.	Écrou à garniture de nylon 3/8" n.c.	5	O/L
67	Nylon Insert lock Nut 1/2" n.c.	Écrou à garniture de nylon 1/2" n.c.	4	O/L
68	Nylon Insert lock Nut 5/8" n.c.	Écrou à garniture de nylon 5/8" n.c.	2	O/L
69	Nylon Insert lock Nut M6 x 1.00	Écrou à garniture de nylon M6 x 1.00	1	O/L
70	Flange nut 1/4" n.c.	Écrou à bride 1/4" n.c.	2	O/L
71	Stover lock nut 5/16" n.c.	Écrou de blocage 5/16" n.c.	7	O/L
72	Flat washer 1/4" hole	Rondelle plate 1/4" trou	4	O/L
73	Flat washer 5/16" hole	Rondelle plate 5/16" trou	8	O/L
74	Lock washer 1/4"	Rondelle de blocage 1/4"	4	O/L
75	Socket head set screw 1/4" n.c. x 5/16" (knurled)	Vis à pression à tête plate 6PC 1/4" n.c. x 5/16" (moletée)	1	O/L
76	Socket Head Cap Screw M5 x 0.80 x 10	Vis six PC tête ronde M5 x 0.80 x 10	2	O/L
77	Serial number	Numéro de série	1	REF
78	Made in Canada decal	Décalque Fabriqué au Canada	1	REF
79	Decal danger auger	Decalque danger vis	1	105126
80	Decal read instructions	Decalque lire instructions	1	105130
81	Decal warning safety	Decalque avertissement sécurité	1	105131
82	Decal PTO	Décalque PTO	1	105852
83	Danger decal chute	Décalque danger goulotte	1	105127
84	Red reflector decal	Décalque réflecteur rouge	4	106814
85	Yellow reflector decal	Décalque réflecteur jaune	2	106815
86	Berco decal	Décalque Berco	1	102471
87	Pro Series 1000 decal	Décalque Pro Series 1000	1	106807

O/L = Obtain Locally

TORQUE SPECIFICATION TABLE

GENERAL TORQUE SPECIFICATION TABLE USE THE FOLLOWING TORQUES WHEN SPECIAL TORQUES ARE NOT GIVEN

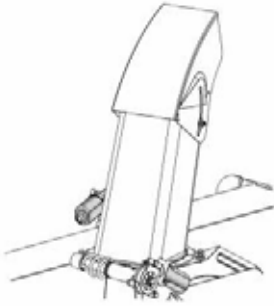
NOTE: These values apply to fasteners as received from supplier, dry or when lubricated with normal oil. They do not apply if special graphited or moly disulphide greases or other extreme pressure lubricants are used. This applies to both UNF and UNC threads.

* Thick nuts must be used with grade 8 bolts

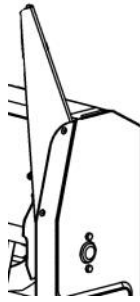
SEE Grade No.		2				5				8 *			
BOLT HEAD IDENTIFICATION MARKS AS PER GRADE NOTE MANUFACTURING MARKS WILL VARY		TORQUE				TORQUE				TORQUE			
BOLT SIZE		FOOT POUNDS		NEW TON-METERS		FOOT POUNDS		NEW TON-METERS		FOOT POUNDS		NEW TON-METERS	
Inches	Millimetre	Min.	Max.	Min.	Max.	Min.	Max.	Min.	Max.	Min.	Max.	Min.	Max.
1/4"	6.35	5	6	6.8	8.13	9	11	12.2	14.9	12	15	16.3	30.3
5/16"	7.94	10	12	13.6	16.3	17	20.5	23.1	27.8	24	29	32.5	39.3
3/8"	9.53	20	23	27.1	31.2	35	42	47.5	57	45	54	61	73.2
7/16"	11.11	30	35	40.7	47.4	54	64	73.2	86.8	70	84	94.9	113.9
1/2"	12.7	45	52	61	70.5	80	96	108.5	130.2	110	132	149.2	179
9/16"	14.29	65	75	88.1	101.6	110	132	149.2	179	160	192	217	260.4
5/8"	15.88	95	105	128.7	142.3	150	180	203.4	244.1	220	264	298.3	358
3/4"	19.05	150	185	203.3	250.7	270	324	366.1	439.3	380	456	515.3	618.3
7/8"	22.23	160	200	216.8	271	400	480	542.4	650.9	600	720	813.6	976.3
1"	25.4	250	300	338.8	406.5	580	696	786.5	943.8	900	1080	1220.4	1464.5

METRIC BOLT TORQUE SPECIFICATIONS							
		COARSE THREAD			FINE THREAD		
Size Screw	Grade No.	Pitch (mm)	Foot Pounds	Newton-Meters	Pitch (mm)	Foot Pounds	Newton-Meters
M6	4T	1.00	3.6 - 5.8	4.9 - 7.9	-	-	-
	7T		5.8 - 9.4	7.9 - 12.7		-	-
	8T		7.2 - 10	9.8 - 13.6		-	-
M8	4T	1.25	7.2 - 14	9.8 - 19	1.00	12 - 17	16.3 - 23
	7T		17 - 22	23 - 29.8		19 - 27	25.7 - 36.6
	8T		20 - 26	27.1 - 35.2		22 - 31	29.8 - 42
M10	4T	1.50	20 - 25	27.1 - 33.9	1.25	20 - 29	27.1 - 39.3
	7T		34 - 40	46.1 - 54.2		35 - 47	47.4 - 63.7
	8T		38 - 46	51.5 - 62.3		40 - 52	54.2 - 70.5
M12	4T	1.75	28 - 34	37.9 - 46.1	1.25	31 - 41	42 - 55.6
	7T		51 - 59	69.1 - 79.9		56 - 68	75.9 - 92.1
	8T		57 - 66	77.2 - 89.4		62 - 75	84 - 101.6
M14	4T	2.00	49 - 56	66.4 - 75.9	1.50	52 - 64	70.5 - 86.7
	7T		81 - 93	109.8 - 126		90 - 106	122 - 143.6
	8T		96 - 109	130.1 - 147.7		107 - 124	145 - 168
M16	4T	2.00	67 - 77	90.8 - 104.3	1.50	69 - 83	93.5 - 112.5
	7T		116 - 130	157.2 - 176.2		120 - 138	162.6 - 187
	8T		129 - 145	174.8 - 196.5		140 - 158	189.7 - 214.1
M18	4T	2.00	88 - 100	119.2 - 136	1.50	100 - 117	136 - 158.5
	7T		150 - 168	203.3 - 227.6		177 - 199	239.8 - 269.6
	8T		175 - 194	237.1 - 262.9		202 - 231	273.7 - 313
M20	4T	2.50	108 - 130	146.3 - 176.2	1.50	132 - 150	178.9 - 203.3
	7T		186 - 205	252 - 277.8		206 - 242	279.1 - 327.9
	8T		213 - 249	288.6 - 337.4		246 - 289	333.3 - 391.6

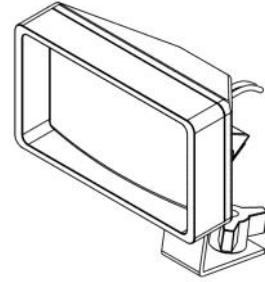
OPTIONS & ATTACHMENTS



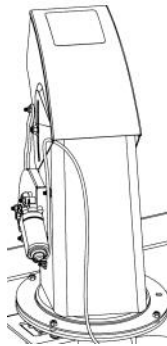
**ELECTRIC CHUTE ROTATION
& DEFLECTOR KIT #700518**
Allows to turn chute and adjust
deflector electrically from driver's
seat.



SNOW DRIFT CUTTER
#700260 for Northeast snowblowers.
Facilitates and increases snow
intake.
Pkg. of 2



**LIGHT WITH UNIVERSAL ADAPTER
KIT**
#700668 and #700456



**ELECTRIC DEFLECTOR
ADJUSTMENT KIT #700559**
Adjusts height at which snow is
thrown from the driver's seat.

HYDRAULIC ROTATION
#700661
Allows to turn the chute from driver's
seat hydraulically

NOTES



***WHEN PERFORMANCE
& DEPENDABILITY
ARE NON NEGOTIABLE!***

**Bercomac Limitée
92, Fortin North, Adstock, Quebec, Canada, G0N 1S0**

WWW.BERCOMAC.COM

PRINTED IN CANADA

(ORIGINAL NOTICE)