



***INSTRUCTION BOOKLET  
MODEL NUMBER***

***700379***

***BERCO  
Broom Adaptor  
for  
Compact & Northeast Subframe***

**CAUTION:**

**READ & FOLLOW ALL SAFETY RULES & INSTRUCTIONS IN YOUR  
OWNER'S MANUAL FOR THE ROTARY BROOM AND SUBFRAME  
BEFORE OPERATING ANY EQUIPMENT**

# WARRANTY

## LIMITED ONE YEAR ON BERCO TRACTOR ATTACHMENTS

For one year from date of purchase, Bercomac Limitée will repair or replace free of charge at Bercomac's option, any parts which are defective as a result of defective materials or faulty workmanship.

### **COMMERCIAL OR RENTAL USE:**

Warranty on Berco attachments used for commercial or rental purposes is limited to 90 days.

### **This warranty does NOT cover:**

- \* **Wear items, such as shear pins and belts.**
- \* **Repairs due to customer abuse or neglect.**
- \* **Pre-delivery set-up.**
- \* **In home service.**

Warranty service is available by returning the "Berco" attachment to the authorized dealer.

**BERCOMAC Limitée**  
**92 Fortin N, Adstock, Québec, Canada, G0N 1S0**

# ASSEMBLY

Please follow these adaptor installation instructions on the Rotary Broom. For all other instructions see the Owner's Manual for the Subframe and the Rotary Broom for all safety precautions and rules.

See parts breakdown for part identification

## ADAPTOR INSTALLATION:

Remove the belt guard (item 6).

Install the push frame (item 1) to the gear box frame (item 2) by using two cone bearings (item 3), one on top and the other underneath. Fill the space between the bearings with grease.

Secure with a seal washer (item 4), the hollow portion toward the top and a 3/4" nylon insert lock nut (item 5).

Tighten loosely enough to permit the push frame to move freely.

Install the V-belt on the tension pulleys (item 7) and broom pulley as shown.

Reinstall the belt guard (item 6) on the push frame.

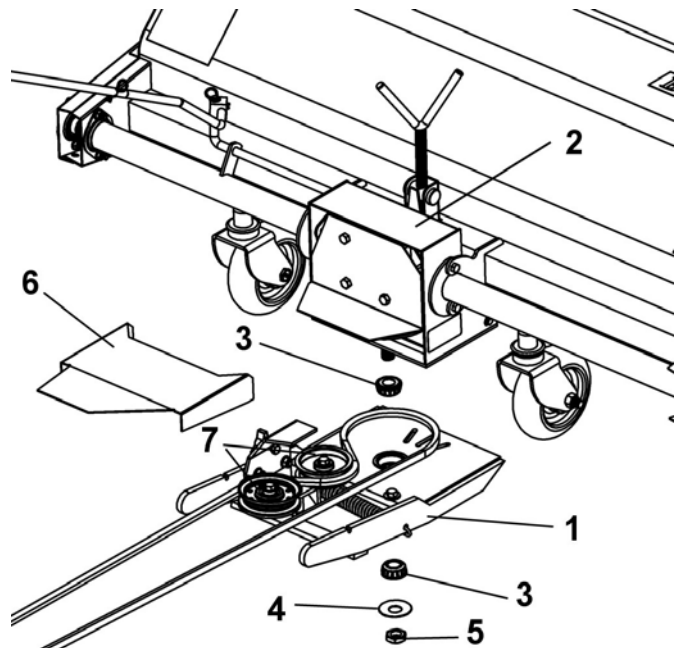
9

**DANGER**

9

**NEVER OPERATE THE ROTARY BROOM WITHOUT:**

Brush hood  
Belt guard  
Gear box guard  
Extension guard and any other safety protection devices in place.



9

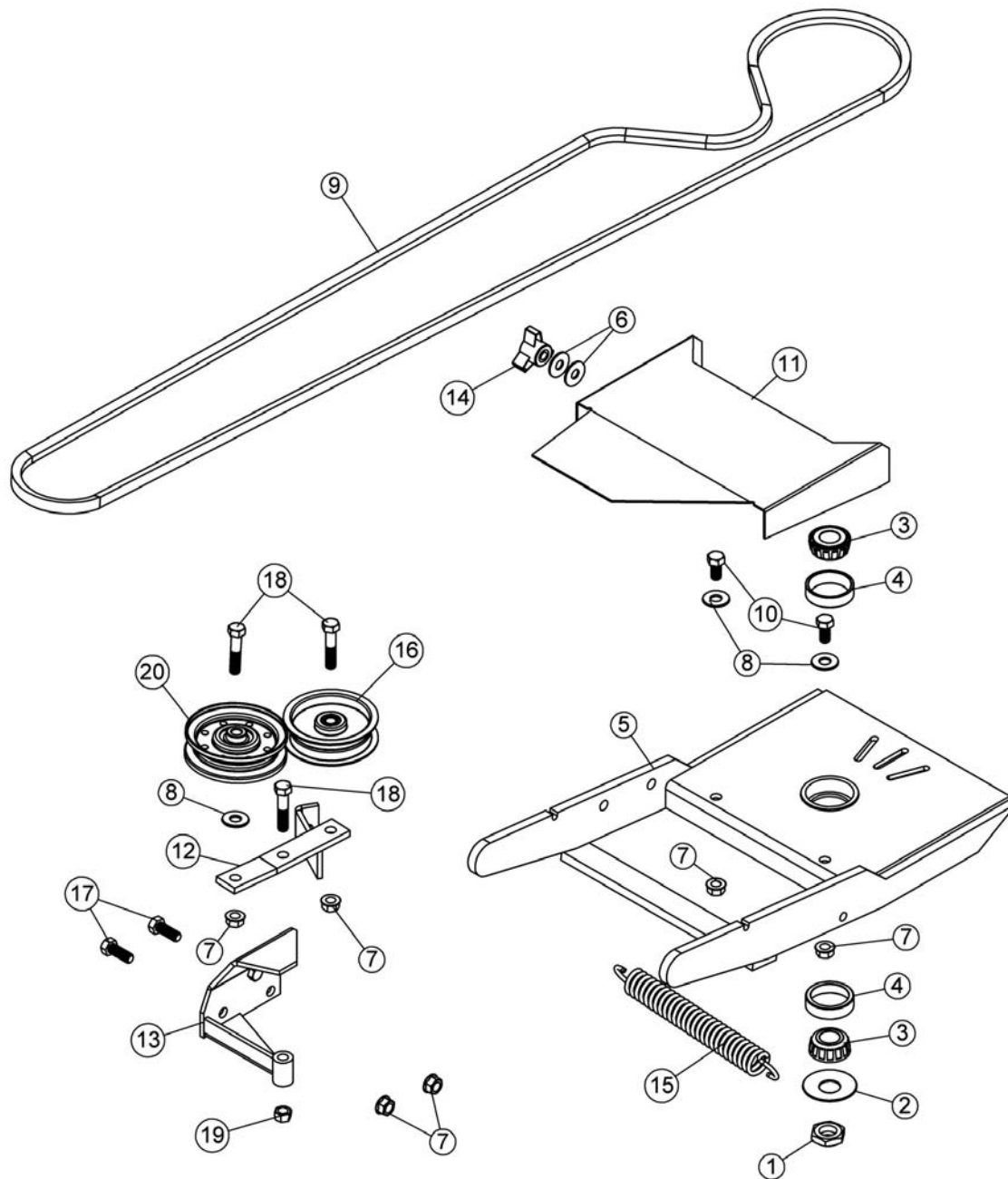
**CAUTION**

9

**Never use the Rotary Broom without the belt guard.**

**BROOM ADAPTOR FOR COMPACT AND NORTHEAST SUBFRAMES  
#700379**

**ADAPTEUR DE BALAI POUR SOUS-CHÂSSIS COMPACT ET NORDET  
PARTS BREAKDOWN / NOMENCLATURE DES PIÈCES**



## PARTS LIST / LISTE DES PIÈCES

Ref. Réf.	English description	Description française	Qty. Qté.	Part # Pièce #
1	Nylon insert lock nut 3/4" n.c. (thin)	Écrou à garniture de nylon 3/4" n.c.(mince)	1	O/L
2	Seal washer	Rondelle d'étanchéité	1	102289
3	Cone bearing	Roulement conique	2	102369
4	Cup bearing	Cuvette	2	102370
5	Push frame	Châssis de poussée	1	104112
6	Flat washer 3/8" hole	Rondelle plate 3/8" trou	2	O/L
7	Flange nut 3/8" n.c.	Écrou à bride 3/8" n.c.	6	O/L
8	Flat washer 7/16" hole	Rondelle plate 7/16" trou	3	O/L
9	V-belt, A-95	Courroie en V, A-95	1	104111
10	Hex. bolt 3/8" n.c. x 3/4"	Boulon hex. 3/8" n.c. x 3/4"	2	O/L
11	Belt guard	Garde-courroie	1	104114
12	Idler arm	Bras de tension	1	104115
13	Arm support	Support du bras	1	104116
14	Knob	Bouton	1	103027
15	Spring	Ressort	1	102861
16	Flat pulley	Poulie plate	1	102839
17	Hex. bolt 3/8" n.c. x 1"	Boulon hex. 3/8" n.c. x 1"	2	O/L
18	Hex. bolt 3/8" n.c. x 1 3/4"	Boulon hex. 3/8" n.c. x 1 3/4"	3	O/L
19	Stover lock nut 3/8" n.c.	Écrou de blocage 3/8" n.c.	1	O/L
20	Idler	Poulie	1	103044

O/L = Obtain locally/obtenir localement